

Illustrated Parts Catalog

Aquila A211 / A212

Doc.-No. PC-AT01- 1030-110

AQUILA Aviation International GmbH • Flugplatz • D-14959 Schönhagen
www.aquila-aviation.de • kontakt@aquila-aviation.de

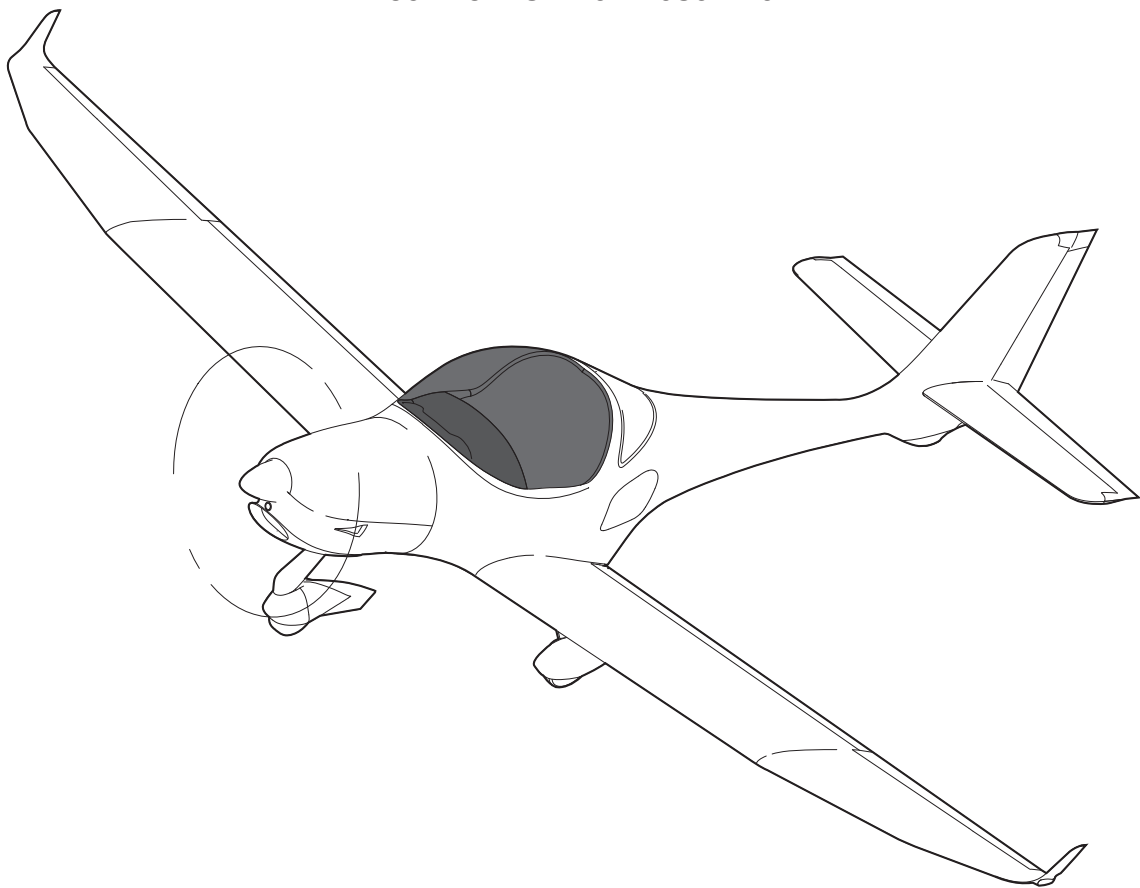
This document is copyright protected. All associated rights, in particular those of translation, reprinting, reproduction by photo mechanical or similar means and storing in data processing facilities in whole or part are reserved.

AQUILA is a registered trademark.

ILLUSTRATED PARTS CATALOG

AQUILA AT01-100 (A211) AQUILA AT01-200 (A212)

Doc.-No. PC-AT01-1030-110



This document is protected by copyright. All associated rights, in particular those of translation, reprinting, reproduction by photo mechanical or similar means and storing in data processing facilities in whole or part are reserved. The technical content of this document is approved under the authority of the DOA ref. EASA.21J.025.

AQUILA Aviation International GmbH
Flugplatz
14959 Schönhagen

Phone: ++49 33 731 707 - 0
Fax: ++49 33 731 707 - 11
e-mail: kontakt@aquila-aviation.de

TABLE OF CONTENTS

<u>Cha/Sec/Sub</u>	<u>Title</u>
	TABLE OF CONTENTS
	RECORD OF REVISIONS
	RECORD OF TEMPORARY REVISIONS
	INTRODUCTION
	LIST OF EFFECTIVE CHAPTERS
11	PLACARDS AND MARKINGS
11-00-00	Placards and Markings - General
11-20-00	Exterior Placards & Markings
11-30-00	Interior Placards & Markings
21	VENTILATION & HEATING
21-00-00	Ventilation & Heating - General
24	ELECTRICAL POWER
24-00-00	Electrical Power - General
24-20-00	Alternator System
24-30-00	Battery System
24-60-00	Electrical Load Distribution
25	EQUIPMENT & FURNISHINGS
25-00-00	Equipment & Furnishings - General
25-10-00	Seats
27	FLIGHT CONTROLS
27-10-00	Aileron and Tab
27-20-00	Rudder and Tab
27-30-00	Elevator and Tab
27-31-00	Elevator Trim System
27-50-00	Flaps
28	FUEL
28-00-00	Fuel - General
28-40-00	Fuel - Indicating
31	INDICATING/RECORDING SYSTEMS
31-00-00	Indicating/Recording Systems - General
32	LANDING GEAR
32-10-00	Main Gear
32-20-00	Nose Gear
32-40-00	Wheels & Brakes
33	LIGHTS
33-00-00	Lights - General
33-10-00	Interior Lights
33-40-00	Exterior Lights

TABLE OF CONTENTS

<u>Cha/Sec/Sub</u>	<u>Title</u>
55	STABILIZERS
55-00-00	Stabilizers - General
55-20-00	Elevator
55-40-00	Rudder
56	WINDOWS
56-10-00	Canopy
57	WINGS
57-00-00	Wings - General
57-50-00	Flight Surfaces
71	POWERPLANT
71-00-00	Powerplant - General
71-10-00	Cowling
71-20-00	Engine Mount
71-60-00	Engine Air Intake
75	ENGINE COOLING
75-00-00	Engine Cooling - General
76	ENGINE CONTROLS
76-00-00	Engine Controls - General
77	ENGINE INDICATING
77-00-00	Engine Indicating - General
78	EXHAUST
78-00-00	Exhaust - General
79	OIL
79-00-00	Oil - General
96	ACCESSORY
96-00-00	Accessory - General
96-10-00	Special Tools

INTRODUCTION

1. General

- A. This Illustrated Parts Catalog (IPC) is intended for use in the identification and requisition of replaceable aircraft parts and units of the AQUILA AT01-100/200.

WARNING: DO NOT USE THIS ILLUSTRATED PARTS CATALOG TO DETERMINE REMOVAL AND INSTALLATION PROCEDURES.

For maintenance purposes such as removal and installation procedures of parts and assemblies or repair instructions, refer to the AQUILA AT01-100/200 Maintenance Manual.

2. Structure of the Illustrated Parts Catalog

The IPC structure basically conforms to requirements of Air Transport Association (ATA) Specification Number 100 for Manufacturers Technical Data. The document is divided into chapters which correspond to equivalent chapters in the AQUILA AT01-100/200 Maintenance Manual.

- A. The IPC is divided into two main sections:

- | | |
|---------------------------------|---|
| (1) General | Table of Contents
Record of Revisions
Record of Temporary Revisions
Introduction
List of Effective Chapters |
| (2) Illustrated parts breakdown | Chapters 11 up to 96 |

- B. Each chapter has one or more sections (subsystems). Spare parts of each section are presented in one or more figures. The figures within these sections are numbered consecutively.

- C. Each chapter starts with an overview on contained figures in that chapter.

- D. Left-hand pages contain exploded views to illustrate mechanical devices, assemblies and parts.

- E. Right-hand pages contain a detailed parts list that is divided into 5 vertical columns:

- (1) Figure / Item
Contains the number of the applicable illustration (figure number) as well as the reference numbers of the parts listed. When a reference number is preceded by a dash (-), the respective part, subassembly or assembly is not illustrated.
- (2) "QTY"
Contains the quantity of each listed part required for the next higher assembly.
- (3) Part Number
This column contains the manufacturer's part number used to identify the item.
- (4) Nomenclature
Contains the description (nomenclature) of the part, subassembly, assembly or system.

(5) Effectivity

Aircraft effectivity is indicated in the detailed parts list by applicable serial numbers which are only entered if a given part pertains to a particular aircraft only.

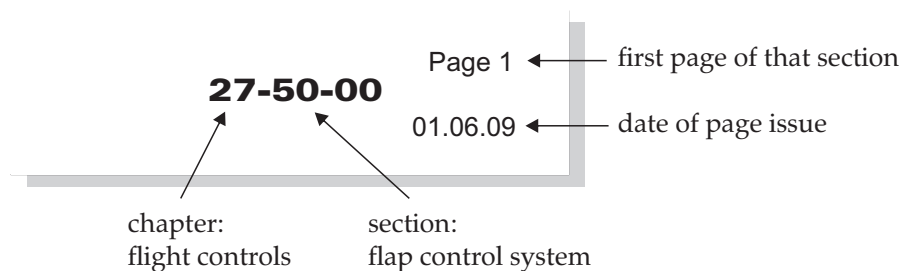
Example:

101 - 113	effective up to serial number 113
123 - 999	effective from serial number 123 and on
113 - 122	effective for aircraft with serial number 113 thru 122

3. Page Identification and Numbering System

- A. The page numbering system consists of three-element numbers separated by dashes with the page number and date printed to the side.

A page number for example:



- (1) When the chapter/system element number is followed with zeros in the section/subsystem and subject/unit element number (28-00-00), the information is applicable to the entire system.
- (2) When the section/subsystem element number is followed with zeros in the subject/unit element number (28-20-00), the information is applicable to subsystem within the system.
- (3) The subject/unit element number is used to identify information applicable to units within the subsystems.

4. Using the Illustrated Parts Catalog

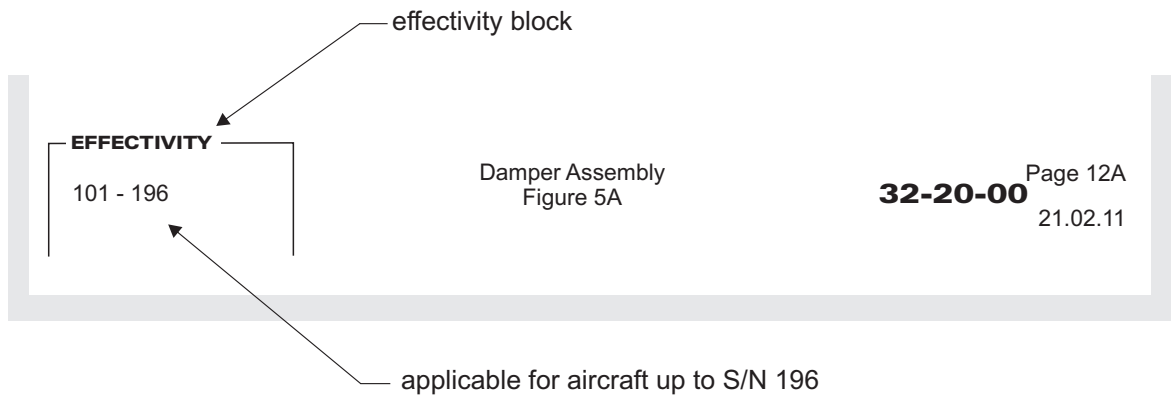
- A. To obtain information on an individual spare part or assembly proceed as follows:
- (1) Refer to the Table of Contents in the front of IPC to find the applicable chapter.
 - (2) Refer to the Table of Contents of that chapter to find section and figure number in which the part should be shown.
 - (3) Refer to the illustration and find the part.
 - (4) Refer to the corresponding item number in the detailed parts list and read the part number.

B. Effectivity

This IPC is “customized”. It includes the following effectivity identification system to show modification and/or configuration differences.

- (1) The IPC starts with a List of Effective Chapters. Each chapter is listed with date of issue or revision.
- (2) To identify the aircraft an effectivity statement (i.e. Garmin Avionics) or a six-digit numeric indicator is shown in the effectivity column in the table of contents if applicable.
 - (a) The six-digit numeric indicator begins with the last three digits of the lowest assigned number, to indicate first effectivity, and ends with the last three digits of the highest assigned number, to indicate last effectivity, of an unbroken sequence of assigned numbers. A hyphen is shown between the numbers. Open ended effectivity is indicated by “999” in the last effectivity if applicable. For example: 123-999 indicates aircraft 123 and subsequent.
- (3) Effectivity Block
 The system provides further direct annotation of applicability of figures. Figures not applicable for all aircraft have an effectivity block at the bottom left-hand corner of the left-hand page. Effectivity identification may be a six-digit numeric indicator (ref. to (2)(a)) or an effectivity statement. The information of that figure applies only to the aircraft noted in the effectivity block.

NOTE: Figures with an effectivity block have an sequential alpha-suffix, for example, a modified version of figure 1 would be figure 1A, a further variant of the same figure would be figure 1B, and so on.



C. Revisions

- (1) Revisions of the IPC, caused by variety of reasons (regulation changes, technical changes, typographical errors, etc.), will be published regularly.
- (2) Identifying revised material
Revisions and/or additions will be identified by a vertical black line (revision bar) in the outer margin of the page opposite the text/illustration that has been changed.
- (3) Should a revision be urgently required between regular updating, a temporary revision will be issued. The relevant pages are yellow and will usually be incorporated in the next scheduled revision of the IPC.
- (4) Incorporating revisions into the manual
 - (a) In order to keep track of revisions and to facilitate the use of the catalog, a revision always affects the entire chapter, i.e. all pages of a chapter have the same date of issue or revision and the complete chapter is replaced during a revision.
 - (b) IPC revisions contain an effectivity page. Chapters to be removed or inserted are listed in sequence and assigned with the respective action.
Incorporation of revisions into the catalog must be documented in the record of revisions at the front of the IPC.
 - (c) Temporary revisions are issued as single pages and must be incorporated according to the notes on the effectivity page delivered with the revision. They become invalid and must be removed when the corresponding permanent revision is issued.

LIST OF EFFECTIVE CHAPTERS

Chapter Title	Date*
GENERAL	
00 Introduction	15.05.20
11 Placards and Markings	15.05.20
AIRFRAME SYSTEMS	
21 Ventilation and Heating	15.05.20
24 Electrical Power	15.05.20
25 Equipment and Furnishings	15.05.20
27 Flight Controls	03.03.14
28 Fuel	04.02.21
31 Indicating/Recording Systems	31.03.16
32 Landing Gear	04.02.21
33 Lights	04.02.21
STRUCTURES	
55 Stabilizers	03.03.14
56 Windows	15.05.20
57 Wings	03.03.14
POWER PLANT	
71 Power Plant	04.02.21
75 Engine Cooling	15.05.20
76 Engine Controls	15.05.20
77 Engine Indicating	15.05.20
78 Exhaust	15.05.20
79 Oil	15.05.20
MISCELLANEOUS	
96 Accessory	15.05.20

* The date refers to the issue / revision date of the respective chapter.

The technical content of this document (revision A.05) is approved under the authority of the
DOA ref. EASA.21J.025.

04.02.21  *[Signature]*
Date, Signature Office of Airworthiness



AQUILA AT01-100/200
ILLUSTRATED PARTS CATALOG

CHAPTER 11
PLACARDS & MARKINGS

TABLE OF CONTENTS

<u>Title</u> <u>Subject</u>	<u>Chapter</u> <u>Section</u> <u>Subject</u>	<u>Page</u>	<u>Effectivity</u>
PLACARDS & MARKINGS - GENERAL	11-00-00	1	
Placards & Markings - General	11-00-00	2	
EXTERIOR PLACARDS & MARKINGS	11-20-00	1	
Exterior Placards & Markings	11-20-00	2	
INTERIOR PLACARDS & MARKINGS	11-30-00	1	
Interior Placards & Markings	11-30-00	2	

PLACARDS & MARKINGS
GENERAL

Item not illustrated

Fig. Item	QTY	Part Number	Nomenclature	Effectivity
1			Placards & Markings - General	
	-1		Exterior Placards & Markings (refer to 11-20-00, figure 1 for details)	
	-2		Interior Placards & Markings (refer to 11-30-00, figure 1 for details)	

- Item not illustrated

Placards & Markings - General
Figure 1

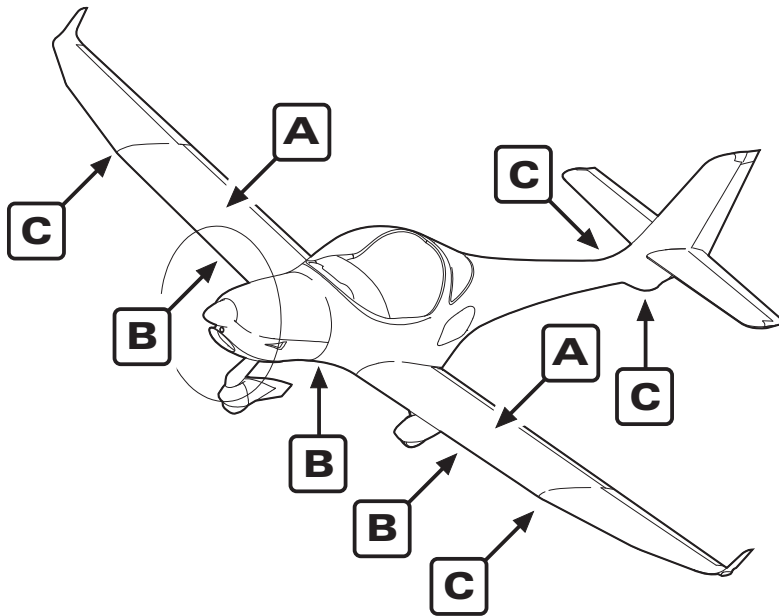
11-00-00

Page 3

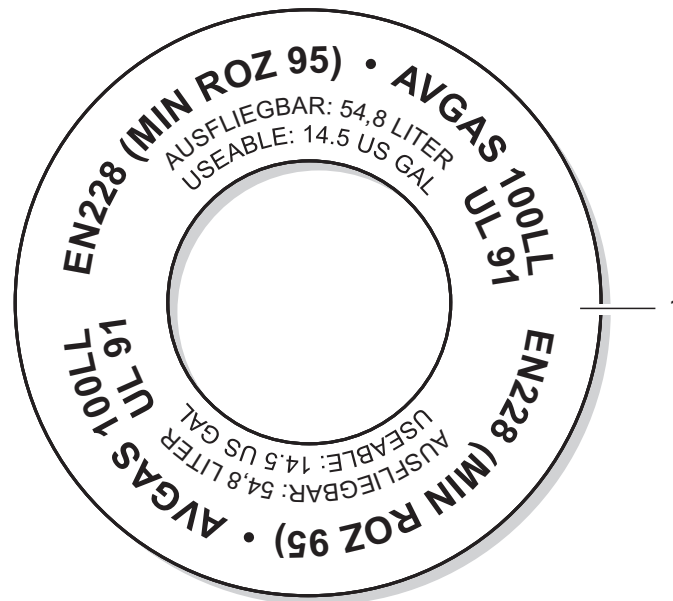
15.05.20

**EXTERIOR
PLACARDS & MARKINGS**

Note: Placards illustrated not in scale.



Detail- **A**



Detail- **B**



Detail- **C**



Exterior Placards & Markings
 Figure 1 (1)

Fig. Item	QTY	Part Number	Nomenclature	Effectivity
1 (1)			Exterior Placards & Markings	
1	2	AT01-1120-100	fuel tank cap placard	
2	1	AT01-1120-104	exterior placard set (English)	
3	1	AT01-1120-105	exterior placard set (German)	

- Item not illustrated

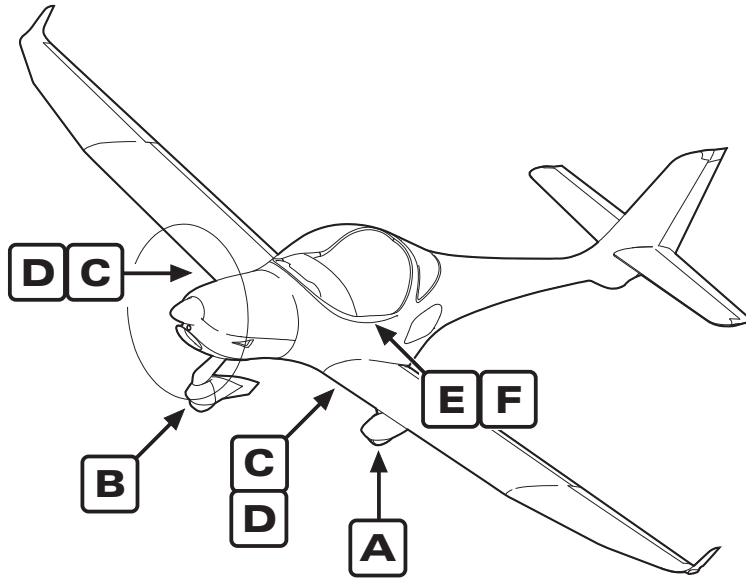
Exterior Placards & Markings
Figure 1 (1)

11-20-00

Page 3

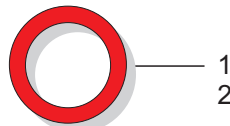
15.05.20

Note: Placards illustrated not in scale.



2	2,5 bar	Detail- A	36 psi	1
2	2,5 bar	Detail- B ¹⁾	36 psi	1
2	2,0 bar	Detail- B ²⁾	29 psi	1

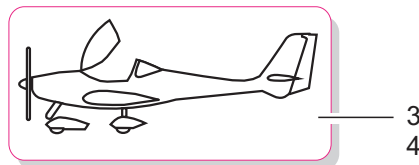
Detail- **C**



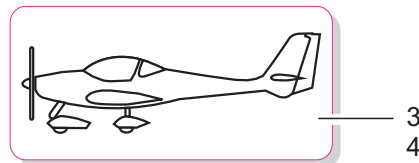
1) Beringer wheels
 2) Cleveland/Grove wheels

2	Aufbockpunkt	Detail- D	Jack Point	1
---	--------------	------------------	------------	---

Detail- **E**



Detail- **F**

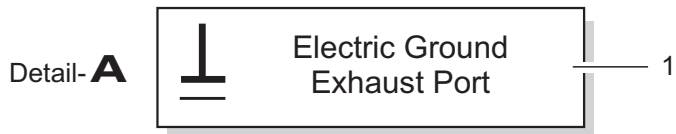
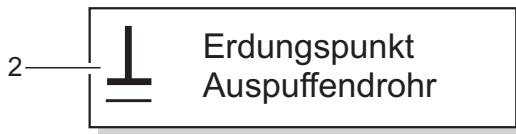
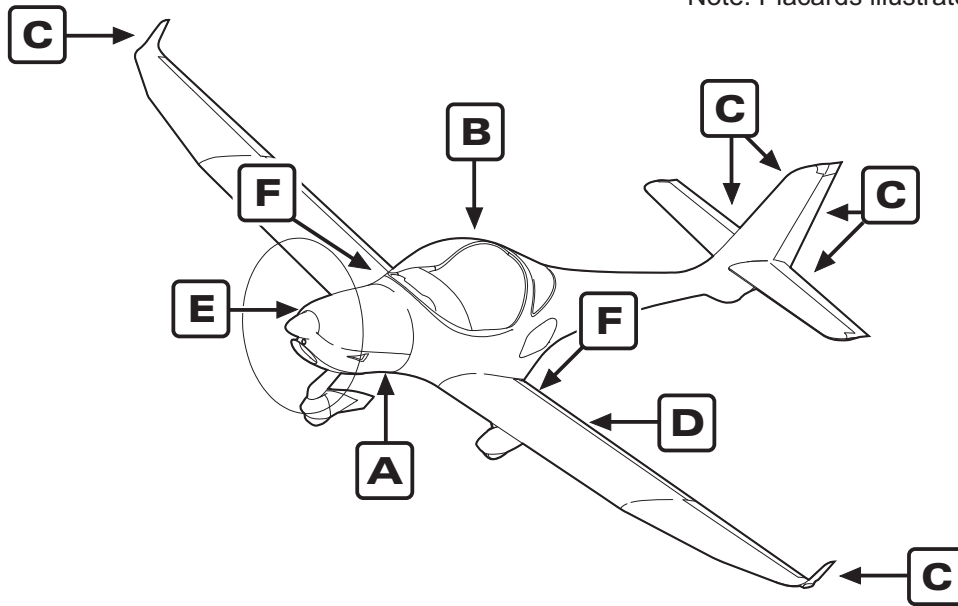


Exterior Placards & Markings
 Figure 1 (2)

Fig. Item	QTY	Part Number	Nomenclature	Effectivity
1 (2)			Exterior Placards & Markings	
	1	AT01-1120-104	exterior placard set (English)	
	1	AT01-1120-105	exterior placard set (German)	
	1	AT01-1130-102	interior placard set (English)	4 CB rows
		AT01-1130-105	interior placard set (English)	5 CB rows
	1	AT01-1130-103	interior placard set (German)	4 CB rows
		AT01-1130-104	interior placard set (German)	5 CB rows

(CB = circuit breaker)

Note: Placards illustrated not in scale.



Exterior Placards & Markings
Figure 1 (3)

Fig. Item	QTY	Part Number	Nomenclature	Effectivity
1 (3)			Exterior Placards & Markings	
	1	AT01-1120-104	exterior placard set (English)	
	2	AT01-1120-105	exterior placard set (German)	
	3	AT01-1120-103	flap placard	

- Item not illustrated

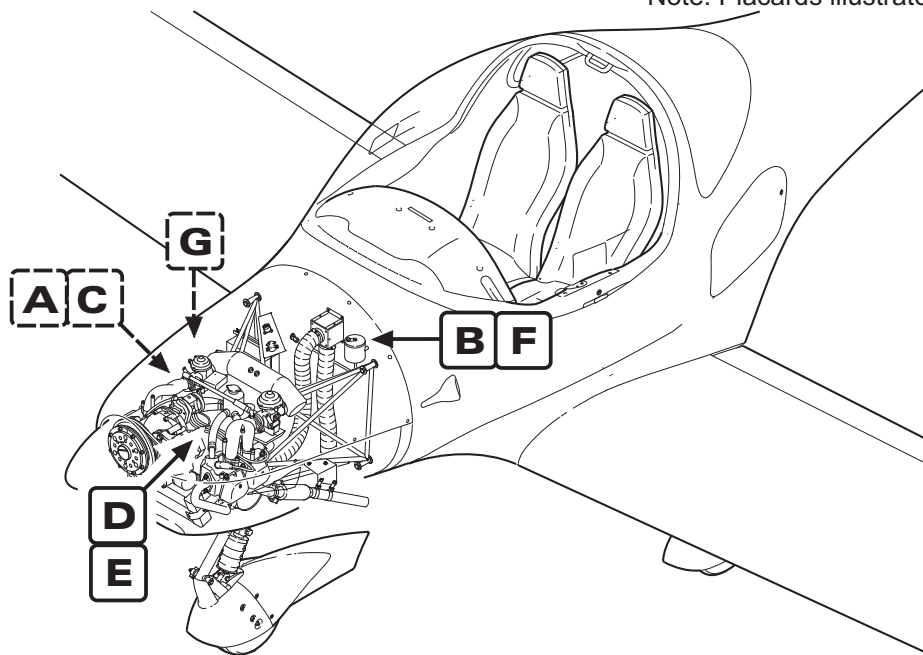
Exterior Placards & Markings
Figure 1 (3)

11-20-00

Page 7

15.05.20

Note: Placards illustrated not in scale.



<p>2 — ! ACHTUNG ! <u>Kein</u> Flugmotorenöl einfüllen. Siehe Flughandbuch</p>	<p>Detail-A</p>	<p>1 — ! CAUTION ! <u>DO NOT</u> use aviation grade oil Refer to POH</p>
<p>2 — ! ACHTUNG ! <u>Keine</u> Automobilbremsflüssigkeit verwenden. Siehe Flughandbuch</p>	<p>Detail-B</p>	<p>1 — ! CAUTION ! <u>DO NOT</u> use automotive brake fluid Refer to POH</p>
<p>2 — ÖLFÜLLUNG 3,0 Liter SIEHE FLUGHANDBUCH</p>	<p>Detail-C</p>	<p>1 — OIL CAPACITY 3.17 US quarts, 3,0 Liter REFER to POH</p>
<p>2 — KÜHLMITTEL- AUSGLEICHSGEFÄSS BEI HEISSEM TRIEBWERK NICHT ÖFFNEN!</p>	<p>Detail-D</p>	<p>1 — COOLANT DO NOT OPEN IF ENGINE IS HOT!</p>
<p>2 — KÜHLWASSERFÜLLUNG 2,3 Liter SIEHE FLUGHANDBUCH</p>	<p>Detail-E</p>	<p>1 — COOLANT CAPACITY 2.43 US quarts, 2,3 Liter REFER to POH</p>
<p>2 — HYDRAULIKÖL FLUID 4</p>	<p>Detail-F</p>	<p>1 — HYD. BRAKE FLUID (FLUID 4)</p>
<p>2 — KÜHLMITTEL</p>	<p>Detail-G</p>	<p>1 — COOLANT</p>

Fig. Item	QTY	Part Number	Nomenclature	Effectivity
1 (4)			Exterior Placards & Markings	
	1	AT01-1120-104	exterior placard set (English)	
	2	AT01-1120-105	exterior placard set (German)	

- Item not illustrated

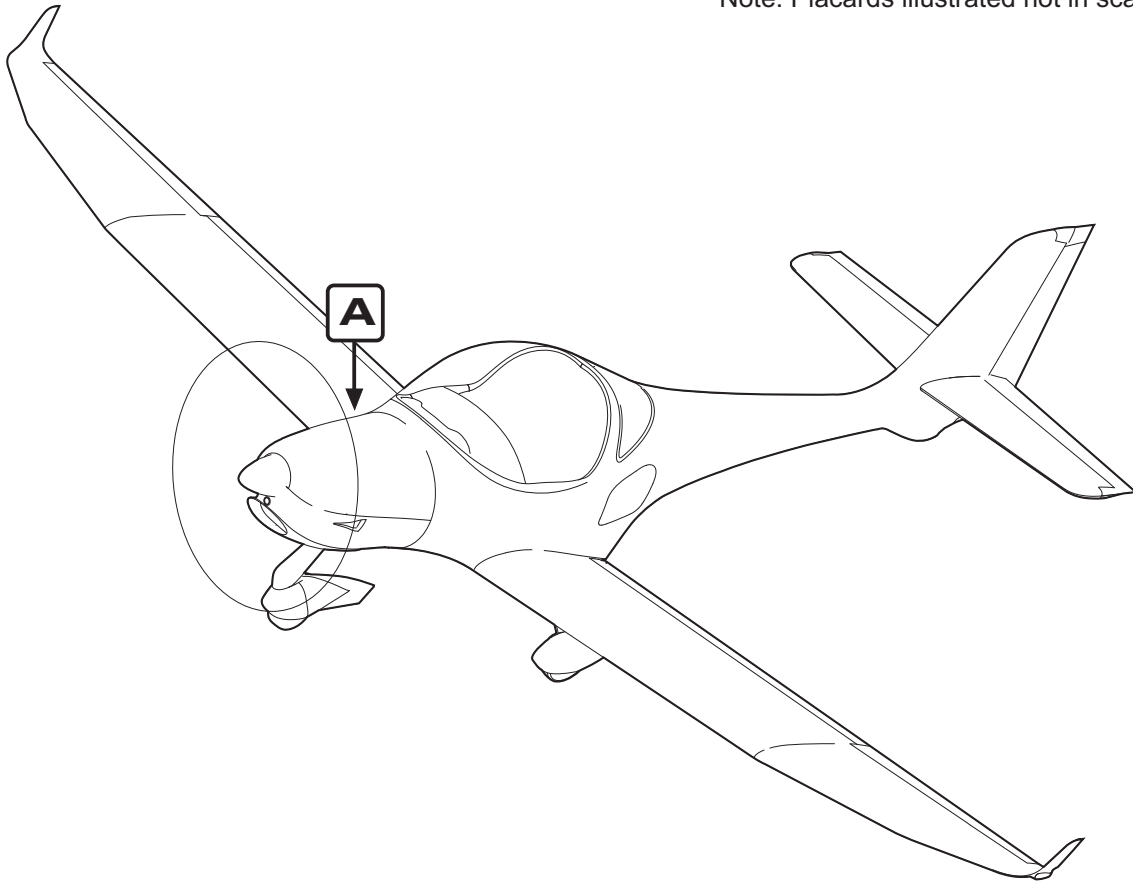
Exterior Placards & Markings
Figure 1 (4)

11-20-00

Page 9

15.05.20

Note: Placards illustrated not in scale.



¹⁾ Aircraft equipped with external power receptacle only.

Fig. Item	QTY	Part Number	Nomenclature	Effectivity
1 (5)			Exterior Placards & Markings	
	1	AT01-1120-104	exterior placard set (English)	
	2	AT01-1120-105	exterior placard set (German)	

- Item not illustrated

Exterior Placards & Markings
Figure 1 (5)

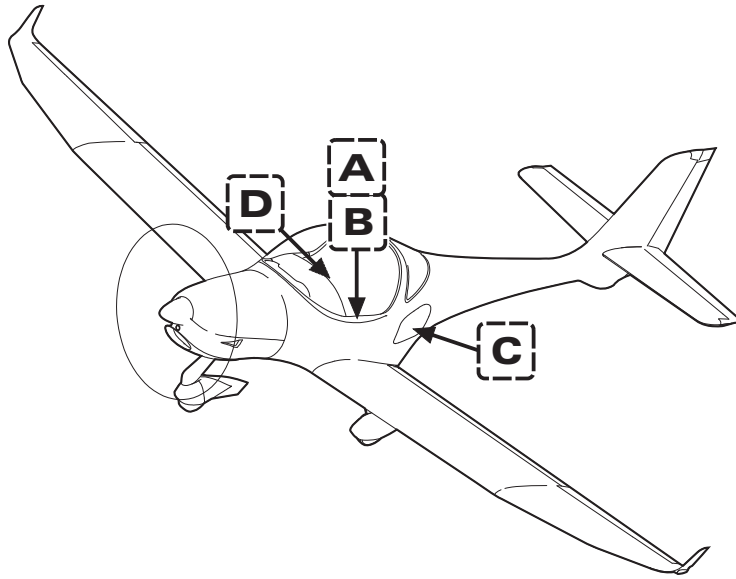
11-20-00

Page 11

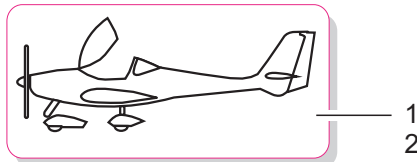
15.05.20

INTERIOR
PLACARDS & MARKINGS

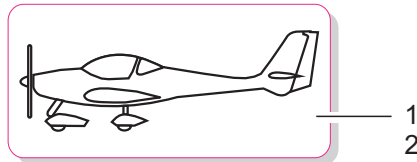
Note: Placards illustrated not in scale.



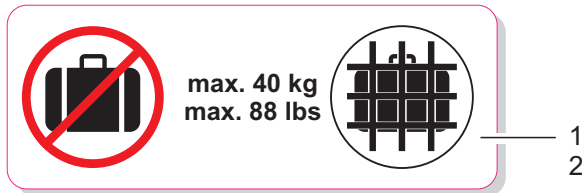
Detail- **A**



Detail- **B**



Detail- **C**

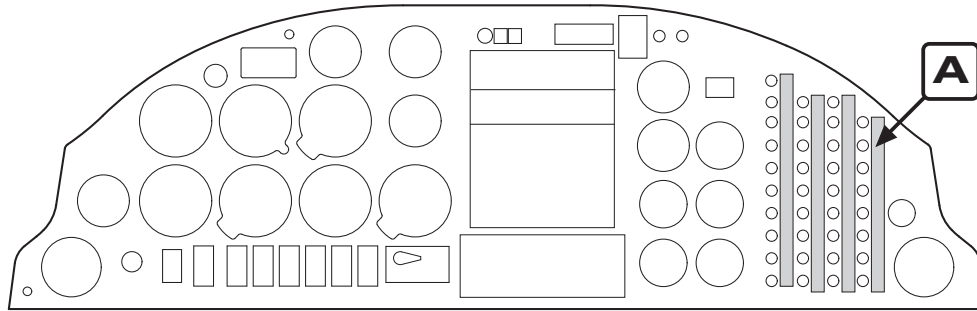


Interior Placards & Markings
 Figure 1 (1)

Fig. Item	QTY	Part Number	Nomenclature	Effectivity
1 (1)			Interior Placards & Markings	
1	1	AT01-1130-102	interior placard set (English)	4 CB rows
		AT01-1130-105	interior placard set (English)	5 CB rows
2	1	AT01-1130-103	interior placard set (German)	4 CB rows
		AT01-1130-104	interior placard set (German)	5 CB rows

(CB = circuit breaker)

Note: Placards illustrated not in scale.
Placards may vary in existence and location depending on instrumentation.



Schalter Leiste	Kraftstoff Pumpe MAIN	Künstl. Horizont	Audio	AP	Switch Panel	Fuel Pump MAIN	Attitude Indicator	Audio	AP
Schalter Leiste	CHT (OAT)	Wende Zeiger	COM 1	ADF	Switch Panel	CHT (OAT)	Turn Coordin.	COM 1	ADF
HR Trim	Kraftstoff Vorrat	Kurs Kreisel	COM 2	DME	Elevator Trim	Fuel Gauge	Directional Gyro	COM 2	DME
Klappen Strg	Motor Instr. 1	MFD	NAV/GPS 1	WX	Flap Control	Engine Instr. 1	MFD	NAV/GPS 1	WX
Klappen Motor	Motor Instr. 2	PFD	NAV/GPS 2	ADAHRS 1	Flap Actuator	Engine Instr. 2	PFD	NAV/GPS 2	ADAHRS 1
Start Relais	TCU	Kontr. Leuchten	TXP	ADAHRS 2	Starter Relay	TCU	Warning Lights	TXP	ADAHRS 2
ALT 2	ALT 2 Trennung	Flut-Licht	Höhen Kodierer	GAD PWR	ALT 2	ALT 2 Disconnect	Flood Light	Blind Encoder	GAD PWR
ALT 1	ALT 1 Erregung	Überzieh Warnung	Traffic	MOTOR SNSR	ALT 1	ALT 1 Excitation	Stall Warning	Traffic Monitor	ENG SNSR
BAT	12V/USB	G5 ATT	G5 GAD	GPS	BAT	12V/USB	G5 ATT	G5 GAD	GPS

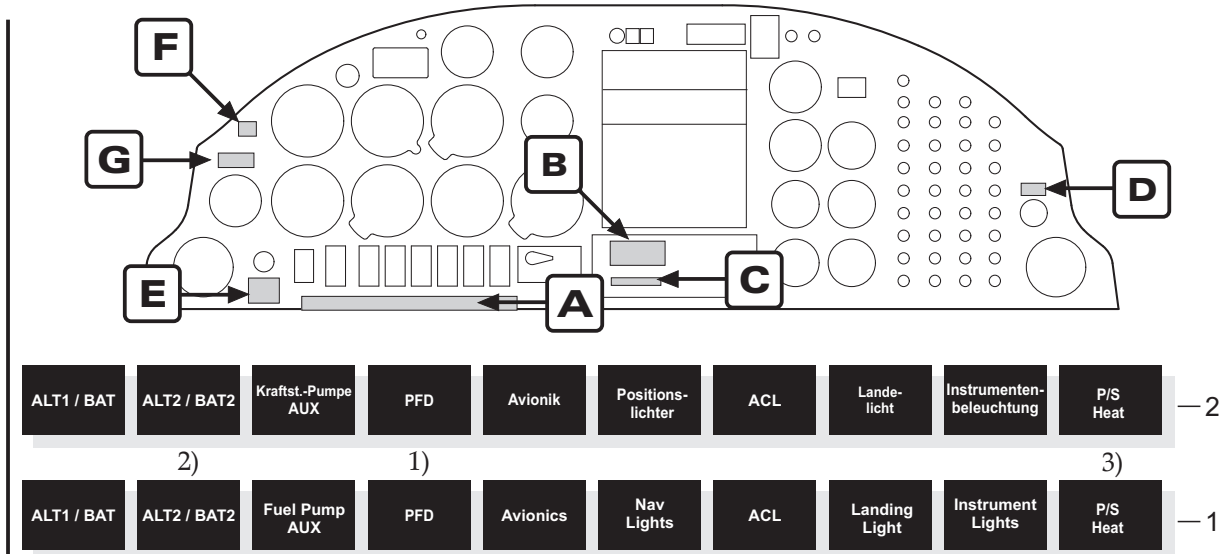
Detail-**A**

Interior Placards & Markings
Figure 1 (2)

Fig. Item	QTY	Part Number	Nomenclature	Effectivity
1 (2)			Interior Placards & Markings	
	1	AT01-1130-102	interior placard set (English)	4 CB rows
		AT01-1130-105	interior placard set (English)	5 CB rows
	2	AT01-1130-103	interior placard set (German)	4 CB rows
		AT01-1130-104	interior placard set (German)	5 CB rows

(CB = circuit breaker)

Note: Placards illustrated not in scale.
Placards may vary in existence and location depending on instrumentation.



Detail-A

2— Dieses Flugzeug ist in der Kategorie VLA zertifiziert und nur für den Betrieb VFR-Tag ohne Vereisungsbedingungen zugelassen. Alle Kunstflugmanöver, einschließlich beabsichtigtem Trudeln, sind verboten. Weitere Betriebsgrenzen stehen im Flughandbuch.

1— This aeroplane is classified as a very light aeroplane approved for day VFR only in non-icing conditions. All aerobatic manoeuvres, including intentional spinning are prohibited. See Flight Manual for other limitations.

Detail-B

2— Dieses Flugzeug ist in der Kategorie VLA zertifiziert und für den Betrieb VFR-Tag und VFR-Nacht ohne Vereisungsbedingungen zugelassen. Alle Kunstflugmanöver, einschließlich beabsichtigtem Trudeln, sind verboten. Weitere Betriebsgrenzen stehen im Flughandbuch.

1— This aeroplane is classified as a very light aeroplane for day VFR and night VFR in non-icing conditions. All aerobatic manoeuvres including intentional spinning are prohibited. See Flight Manual for other limitations.

Detail-B⁵⁾

2— **GPS NUR ZUR INFORMATION**

Detail-C⁴⁾

1— **GPS FOR INFORMATION ONLY**

2— **STECKDOSE
12 - 14 V
max. 5 A**

Detail-D

1— **RECEPTACLE
12 - 14 V DC
MAX: 5 A**

2— **VORSICHT**
Elektrische Hauptkraft-
stoffpumpe
BAT2 AN im Flug
AUS am Boden

Detail-E²⁾

1— **CAUTION**
Electric Main Fuel Pump
BAT2 ON for Flight
OFF for Parking

2) Detail-F **TCU** — 1
2

Detail-G — 1
2

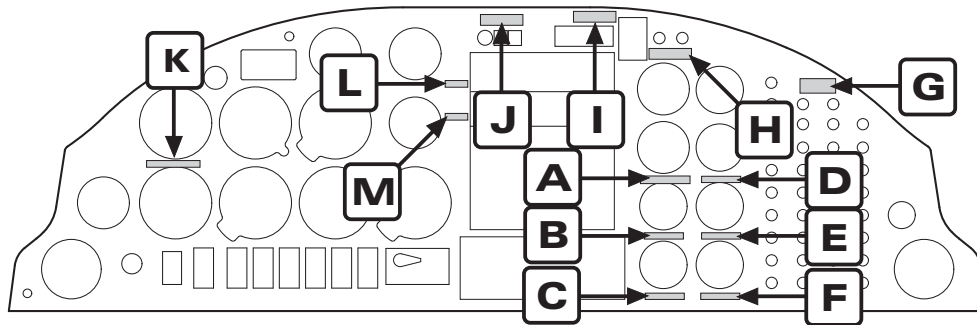
1) Aircraft equipped with Aspen avionics only.
2) AT01-200 only.
3) Aircraft equipped with pitot heating system only.
4) Aircraft equipped with non-(E)TSO'd GPS-receiver only.
5) Aircraft equipped for Night-VFR only.

Interior Placards & Markings
Figure 1 (3)

Fig. Item	QTY	Part Number	Nomenclature	Effectivity
1 (3)			Interior Placards & Markings	
	1	AT01-1130-102	interior placard set (English)	4 CB rows
		AT01-1130-105	interior placard set (English)	5 CB rows
	2	AT01-1130-103	interior placard set (German)	4 CB rows
		AT01-1130-104	interior placard set (German)	5 CB rows

(CB = circuit breaker)

Note: Placards illustrated not in scale.
Placards may vary in existence and location depending on instrumentation.



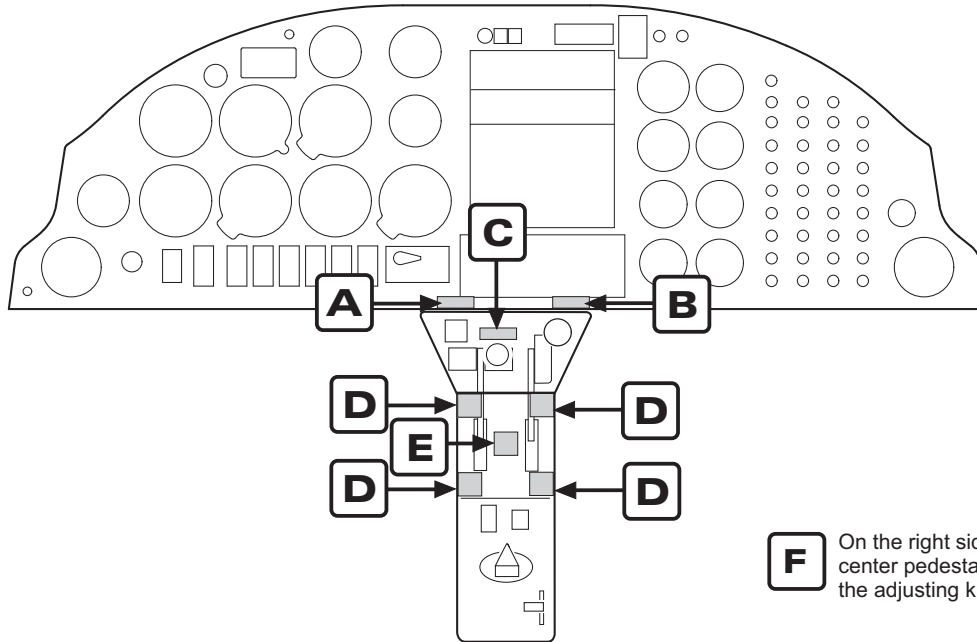
- | | | | | |
|----|--|------------------|---|----|
| 2— | KRAFTSTOFF
109,6 Liter ausfliegbar | Detail- A | FUEL CAPACITY
28.9 GAL / 109.6 LITER USABLE | —1 |
| | Detail- B | VOLTMETER | —1
2 | |
| 2— | AMPEREMETER | Detail- C | AMMETER | —1 |
| 2— | ZYL. KOPF TEMP. | Detail- D | CYL. HEAD TEMP. | —1 |
| 2— | ÖLTEMPERATUR | Detail- E | OIL TEMP. | —1 |
| 2— | ÖLDRUCK | Detail- F | OIL PRESS. | —1 |
| 2— | ELT und Feuerlöscher
hinter dem Copilotensitz | Detail- G | ELT and Fire-Extinguisher
behind Copilot seat | —1 |
| 2— | 0 D POSTLIGHTS
I-BRETT- BELEUCHTUNG M INSTRUMENTE | Detail- H | 0 D POSTLIGHTS
PANEL LIGHT M INSTRUMENTS | —1 |
| 2— | ELT-FERNBEDIENUNG
ELT Hauptschalter
auf ARMED stellen! | Detail- I | ELT-REMOTE CONTROL
Switch ELT-transmitter
to ARM ! | —1 |
| | KRAFTSTOFF- DRUCK SPANNUNG ALT1 ALT2 P/S HEAT | Detail- J | FUEL VOLT ALT1 ALT2 P/S HEAT | —1 |
| 2— | Manövergeschwindigkeit
VA = 112 kts | Detail- K | Maneuvering Speed
VA = 112 kts | —1 |
| | Detail- L | COM/NAV 1 | —1
2 | |
| | Detail- M | COM/NAV 2 | —1
2 | |

Interior Placards & Markings
Figure 1 (4)

Fig. Item	QTY	Part Number	Nomenclature	Effectivity
1 (4)			Interior Placards & Markings	
	1	AT01-1130-102	interior placard set (English)	4 CB rows
		AT01-1130-105	interior placard set (English)	5 CB rows
	2	AT01-1130-103	interior placard set (German)	4 CB rows
		AT01-1130-104	interior placard set (German)	5 CB rows

(CB = circuit breaker)

Note: Placards illustrated not in scale.
 Placards may vary in existence and location depending on instrumentation.



F On the right side wall of the center pedestal adjacent to the adjusting knob.

2— **ALTERNATE AIR / VERGASERVORW.**
ZIEHEN EIN

Detail- **A**

ALTERNATE AIR / CARB. HEAT
PULL ON — 1

2— **CHOKE**
ZIEHEN EIN

Detail- **B**

CHOKE
PULL ON — 1

2— **HEIZUNG**
ZIEHEN EIN

Detail- **C**

CABIN HEAT
PULL ON — 1

2— **VOLLGAS** **START**
Max. RPM
LEERLAUF Min. RPM
REISE

Detail- **D**

OPEN **HIGH RPM**
IDLE **LOW RPM**

Detail- **E**¹⁾ **MCP** — 1
2

¹⁾ A/C equipped with MVP-50. Placard located at propeller position for max. continuous RPM.

2— **REIBVERSTELLUNG**
Leistung / Propeller

Detail- **F**

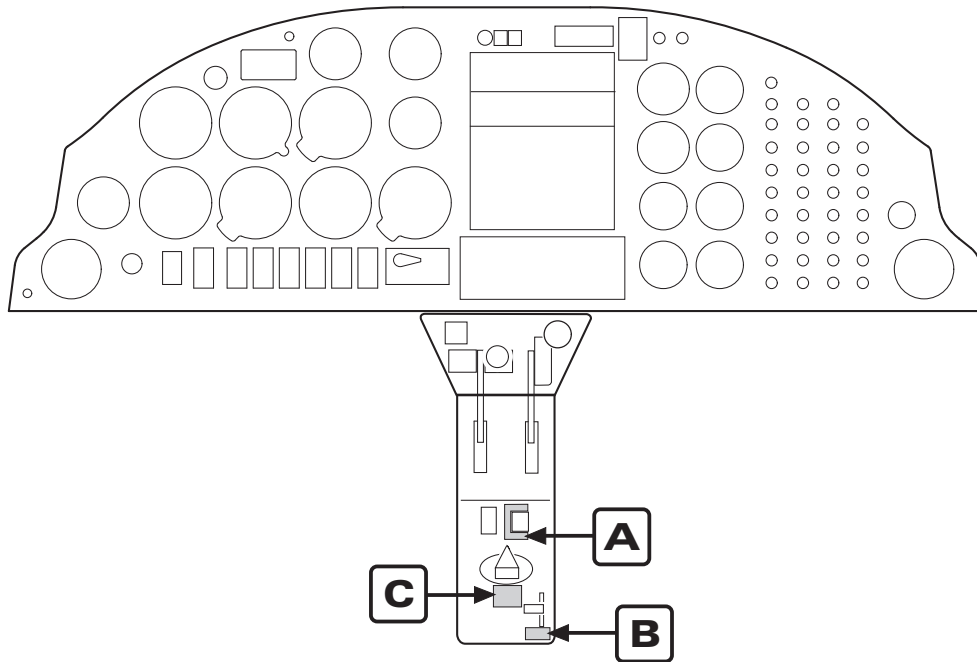
FRICTION LOCK
Power / Prop — 1

Interior Placards & Markings
 Figure 1 (5)

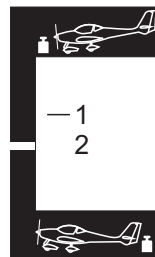
Fig. Item	QTY	Part Number	Nomenclature	Effectivity
1 (5)			Interior Placards & Markings	
	1	AT01-1130-102	interior placard set (English)	4 CB rows
		AT01-1130-105	interior placard set (English)	5 CB rows
	2	AT01-1130-103	interior placard set (German)	4 CB rows
		AT01-1130-104	interior placard set (German)	5 CB rows

(CB = circuit breaker)

Note: Placards illustrated not in scale.
 Placards may vary in existence and location depending on instrumentation.



Detail- **A**



Detail- **B**



Detail- **C**



Interior Placards & Markings
 Figure 1 (6)

Fig. Item	QTY	Part Number	Nomenclature	Effectivity
1 (6)			Interior Placards & Markings	
	1	AT01-1130-102	interior placard set (English)	4 CB rows
		AT01-1130-105	interior placard set (English)	5 CB rows
	2	AT01-1130-103	interior placard set (German)	4 CB rows
		AT01-1130-104	interior placard set (German)	5 CB rows

(CB = circuit breaker)



AQUILA AT01-100/200
ILLUSTRATED PARTS CATALOG

CHAPTER 21
VENTILATION & HEATING

TABLE OF CONTENTS

<u>Title</u> <u>Subject</u>	<u>Chapter</u> <u>Section</u> <u>Subject</u>	<u>Page</u>	<u>Effectivity</u>
VENTILATION & HEATING - GENERAL	21-00-00	1	
Ventilation & Heating - General	21-00-00	2	
Heating System Components	21-00-00	4	
Fresh Air Nozzles	21-00-00	6	

VENTILATION & HEATING
GENERAL

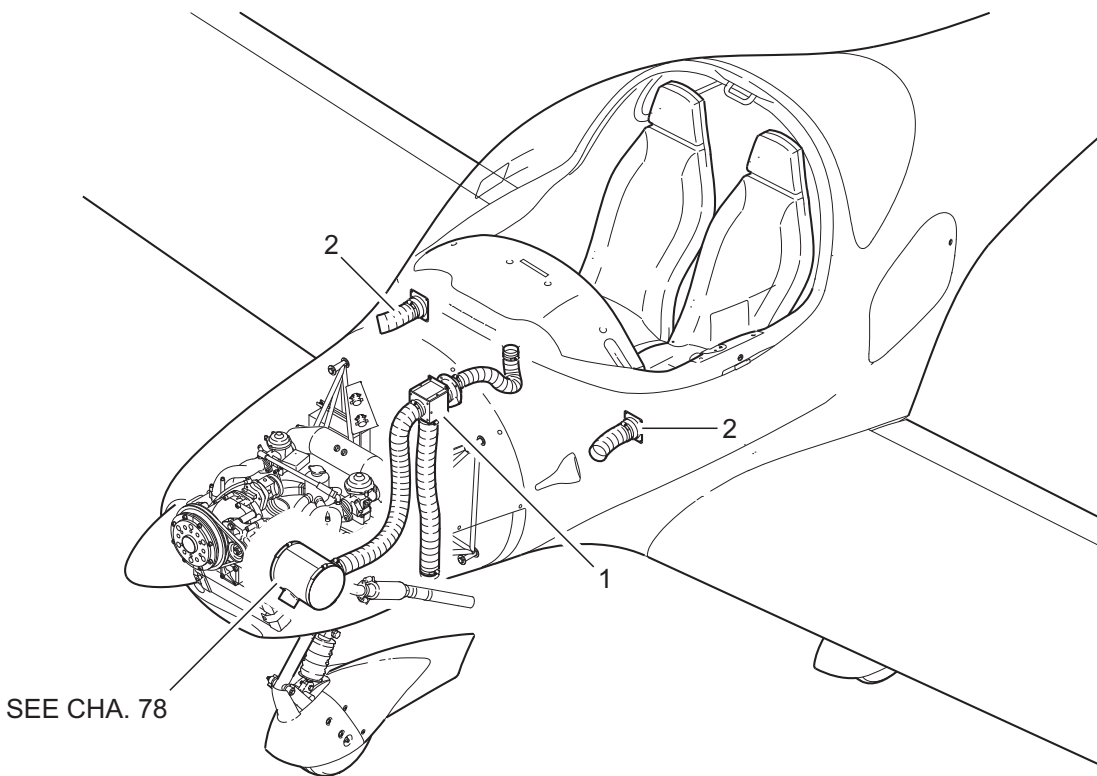


Fig. Item	QTY	Part Number	Nomenclature	Effectivity
1			Ventilation & Heating - General	
	1		Heating System Components (refer to 21-00-00, figure 2 for details)	
	2		Fresh Air Nozzles (refer to 21-00-00, figure 3 for details)	

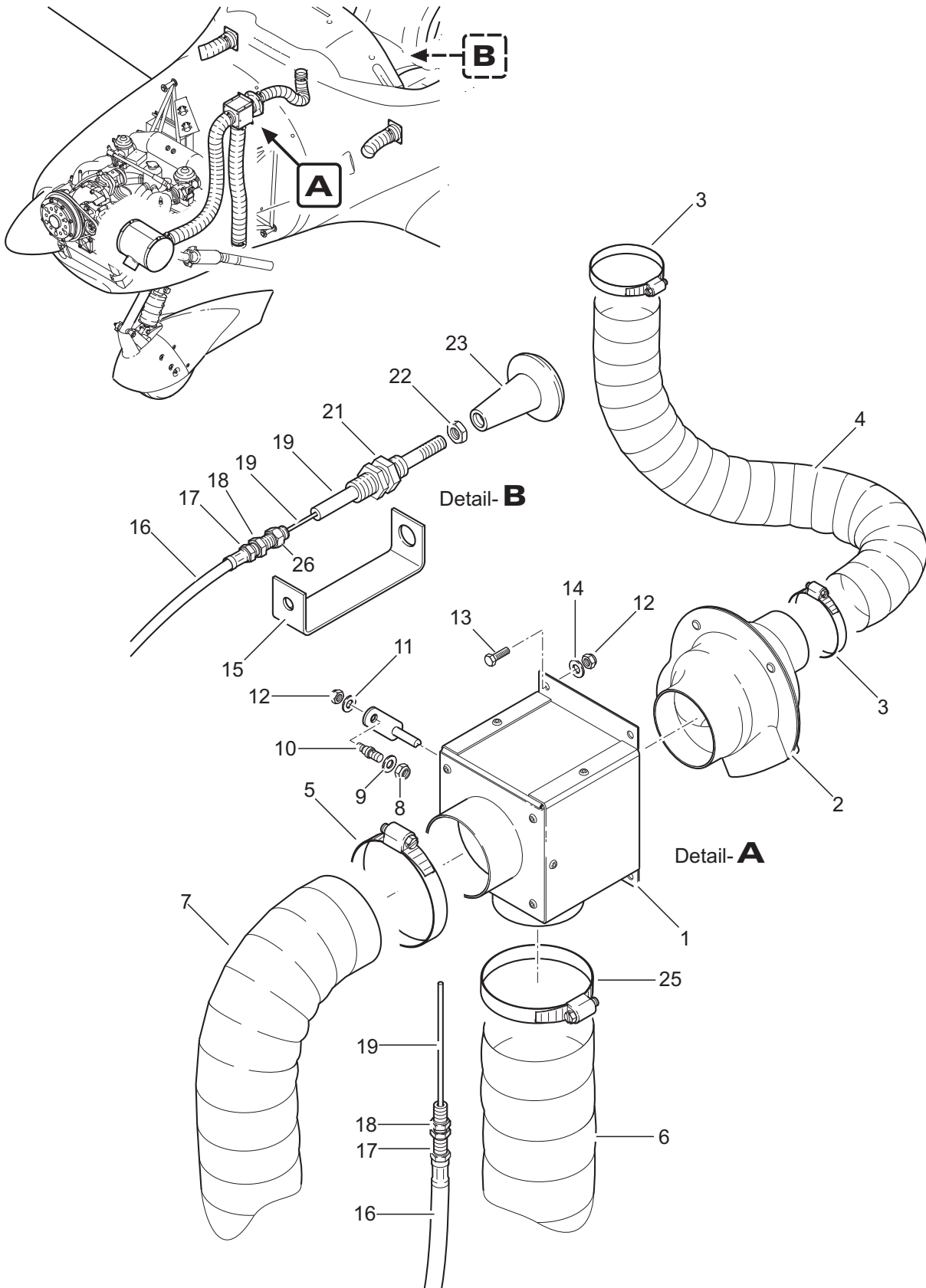
- Item not illustrated

Ventilation & Heating - General
Figure 1

21-00-00

Page 3

15.05.20



Heating System Components
Figure 2

Fig. Item	QTY	Part Number	Nomenclature	Effectivity
2			Heating System Components	
1	1	AT01-2600-010	heating box	
2	1	AT01-2600-003	hot air manifold cabin	
3	2	AT01-4520_TO25-40/9C7W1	hose clamp (DIN 3017 25-40mm)	
4	1	AT01-4520-605	air hose (black / Ø 42mm / 500mm)	
		AT01-4520-559	air hose (red / Ø 42mm / 500mm) (optional)	
5	2	AT01-4520_TO50-70/9C7W2	hose clamp (DIN 3017 50-70mm)	
6	1	AT01-4520-601	air hose (red / Ø 51mm / 730mm)	
7	1	AT01-4520-600	air hose (red / Ø 63mm / 1050mm)	
8	1	1800985_M5	locknut (ISO 10511 M5)	
9	1	1800125_5,3	washer (ISO 7089 5,3x10)	
10	1	AT01-2600-107	cable clamping screw	
11	1	1800125_4,3	washer (ISO 7089 4,3x9)	
12	5	1800985_M4	locknut (ISO 10511 M4)	
13	4	1800933_M4x20	bolt (ISO 4017 M4x20 8.8)	
14	4	1809021_4,3	washer (ISO 7093 4,3x12)	
15	1	AT01-7020-114	mounting bracket	
16	1	AT01-7020-130	Bowden wire shell (1080mm)	
17	1	AT01-4510-135	adjusting screw	
18	1	AT01-7020-132	nut	
19	1	AT01-7020-019	control wire assembly (1320mm / incl. pull rod)	
20	-	-	-	
21	1	AT01-7020-116	screw joint	
22	1	1800439_M5	nut (ISO 4035 M5)	
23	1	AT01-1860-611	control knob (M5)	
25	1	AT01-4520_TO40-60/9C7W2	hose clamp (DIN 3017 40-60mm)	
26	1	1800439_M6	nut (ISO 4035 M6)	

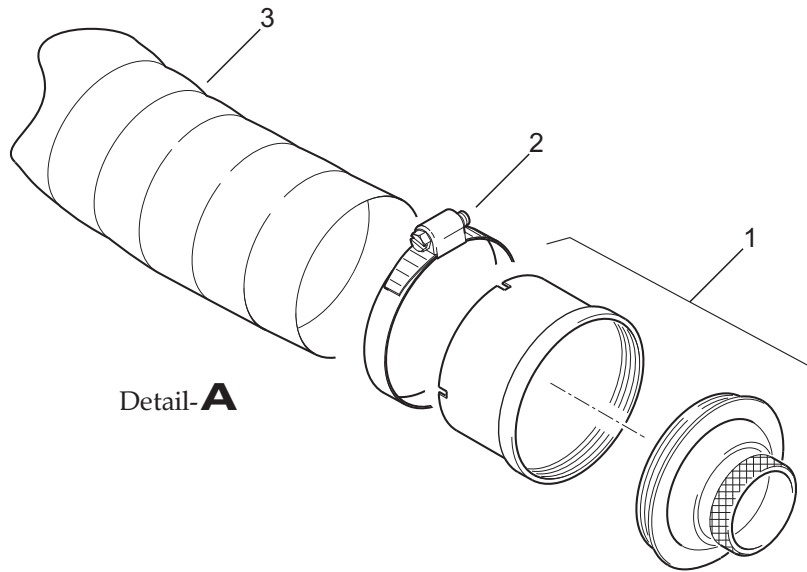
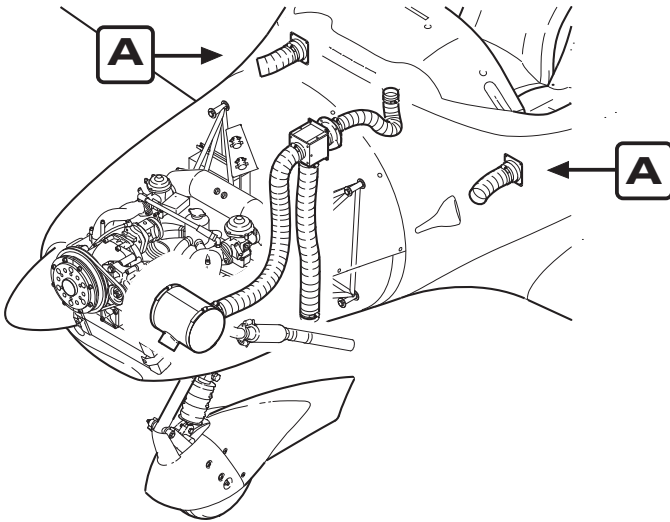
- Item not illustrated

Heating System Components
Figure 2

21-00-00

Page 5

15.05.20



Fresh Air Nozzles
Figure 3

Fig. Item	QTY	Part Number	Nomenclature	Effectivity
3			Fresh Air Nozzles	
1	1	AT01-2630-105	air nozzle	
2	1	AT01-4520_TO40-60/9C7W2	hose clamp (DIN 3017 40-60mm)	
3	1	AT01-4520-606	air hose (black / Ø 51mm / 245mm)	
		AT01-4520-601	air hose (red / Ø 51mm / 245mm) (optional)	

- Item not illustrated

Fresh Air Nozzles
Figure 3

21-00-00

Page 7

15.05.20



AQUILA AT01-100/200
ILLUSTRATED PARTS CATALOG

CHAPTER 24
ELECTRICAL POWER

TABLE OF CONTENTS

<u>Title</u> <u>Subject</u>	<u>Chapter</u> <u>Section</u> <u>Subject</u>	<u>Page</u>	<u>Effectivity</u>
ELECTRICAL POWER - GENERAL	24-00-00	1	
Electrical Power - General	24-00-00	2	
ALTERNATOR SYSTEM	24-20-00	1	
External Alternator Installation	24-20-00	2	
Rectifier-Regulator Unit Installation	24-20-00	4A	Rotax 912S
Rectifier-Regulator Unit Installation	24-20-00	4B	Rotax 914F
BATTERY SYSTEM	24-30-00	1	
Main Battery Installation	24-30-00	2	
ELECTRICAL LOAD DISTRIBUTION	24-60-00	1	
Electrical Components - Instrument Panel	24-60-00	2	
Electrical Components - Engine Compartment	24-60-00	4	
Circuit Breaker Panel	24-60-00	6	

ELECTRICAL POWER
GENERAL

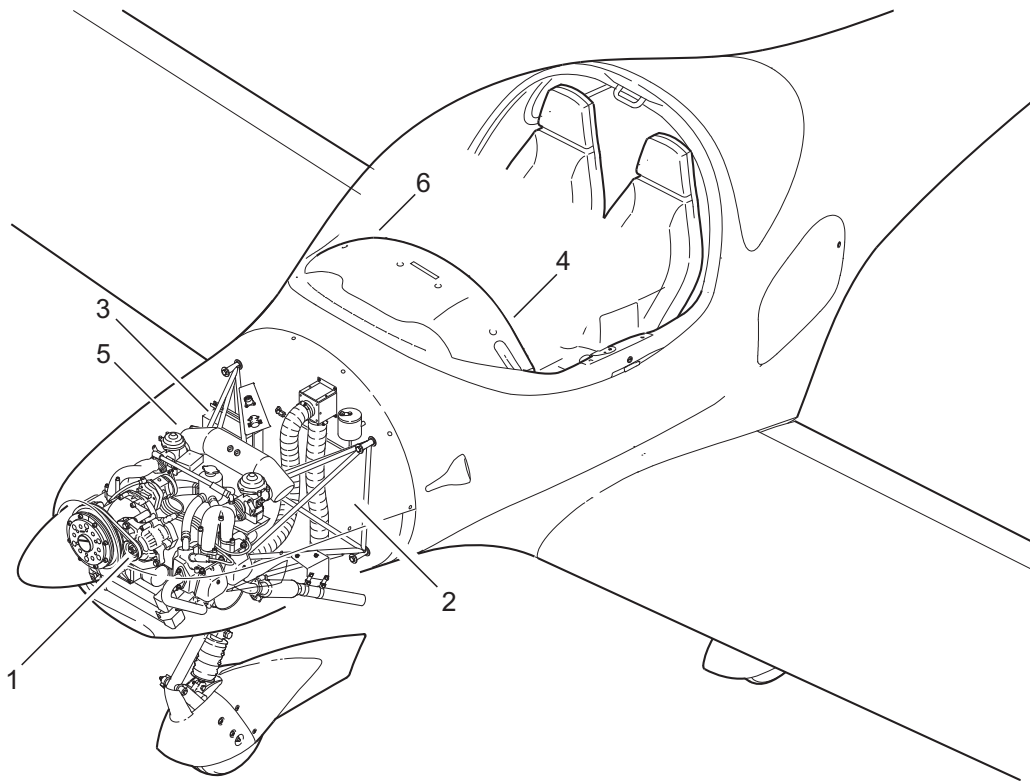


Fig. Item	QTY	Part Number	Nomenclature	Effectivity
1			Electrical Power - General	
	1		External Alternator Installation (refer to 24-20-00, figure 1 for details)	
	2		Rectifier-Regulator Unit Installation (refer to 24-20-00, figure 2A for details)	Rotax 912S
	2		Rectifier-Regulator Unit Installation (refer to 24-20-00, figure 2B for details)	Rotax 914F
	3		Main Battery Installation (refer to 24-30-00, figure 1 for details)	
	4		Electrical Components - Instrument Panel (refer to 24-60-00, figure 1 for details)	
	5		Electrical Components - Engine Compartment (refer to 24-60-00, figure 2 for details)	
	6		Circuit Breaker Panel (refer to 24-60-00, figure 3 for details)	

- Item not illustrated

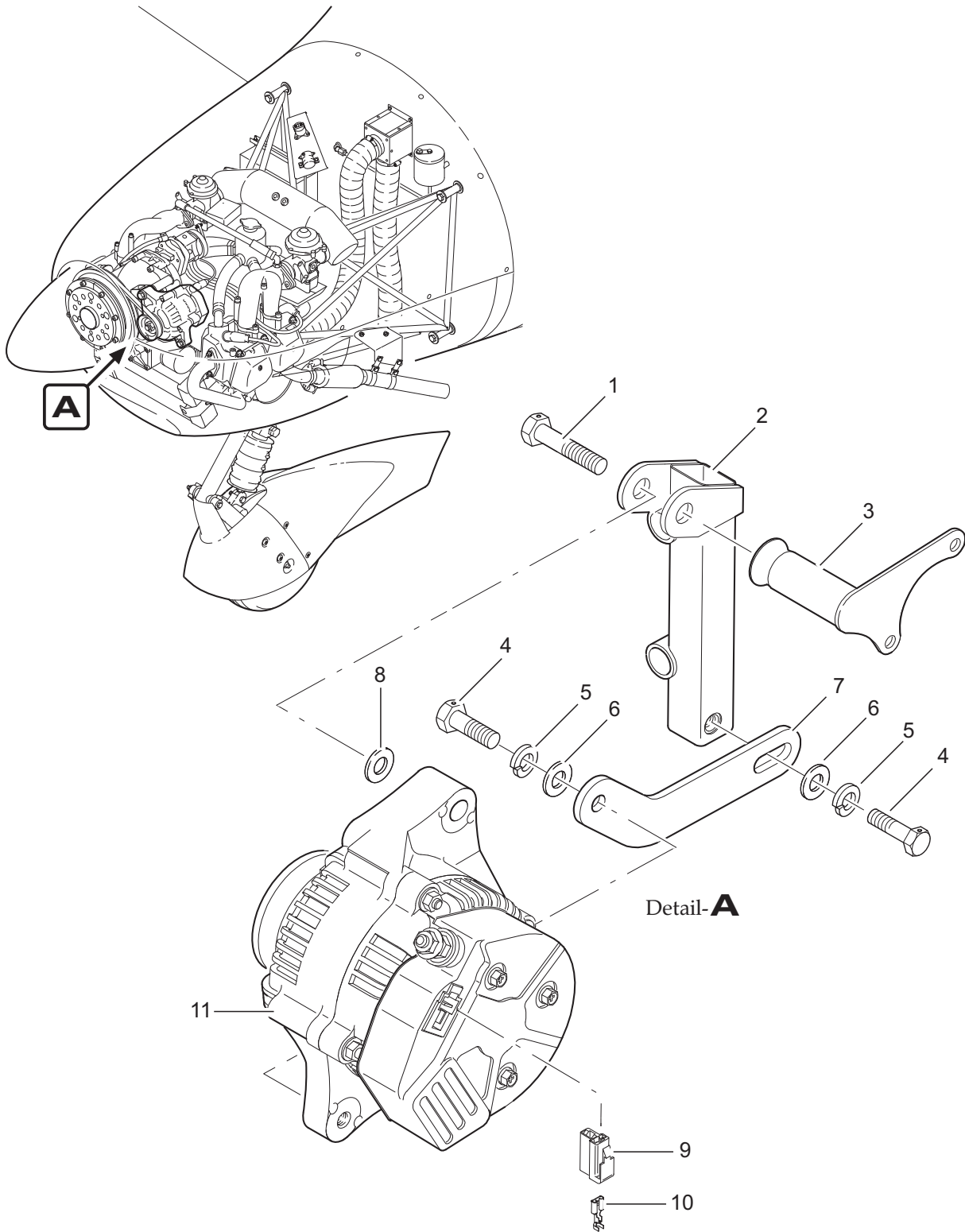
Electrical Power - General
Figure 1

24-00-00

Page 3

15.05.20

ALTERNATOR SYSTEM



External Alternator Installation
Figure 1

Fig. Item	QTY	Part Number	Nomenclature	Effectivity
1			External Alternator Installation	
	1	Ro 941636	bolt (M10x45)	
	1	Ro 953222	alternator bracket assy.	
	1	Ro 953232	alternator support assy.	
	2	Ro 940596	bolt (M8x20)	
	2	Ro 954752	lock washer	
	2	Ro 227935	washer	
	1	Ro 953241	tension bar	
	1	Ro 927952	washer	
	1	Ro 265255	connector housing 2-pole	
	2	Ro 864011	Faston connector	
	1	Ro 887251	alternator	

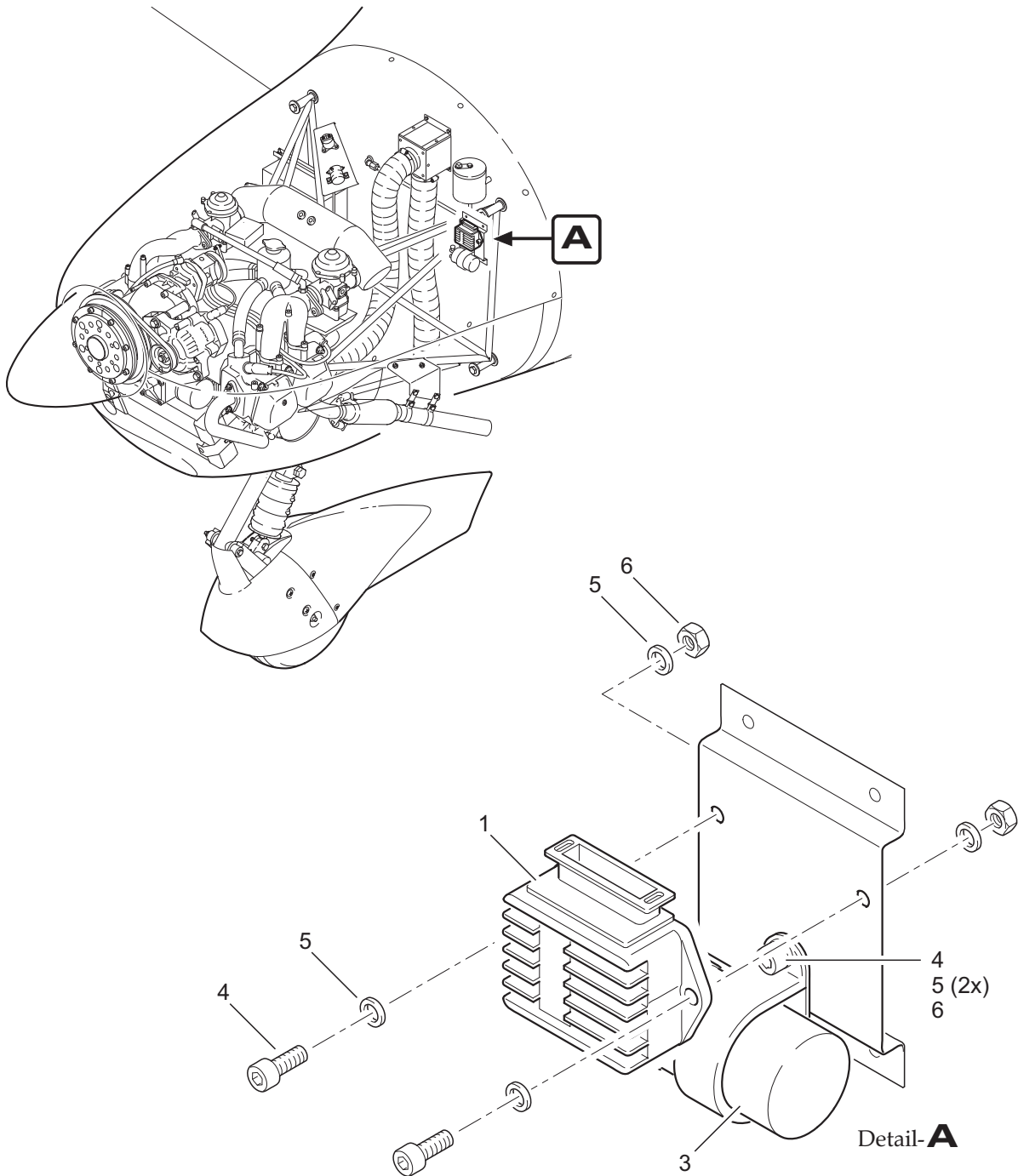
- Item not illustrated

External Alternator Installation
Figure 1

24-20-00

Page 3

15.05.20



EFFECTIVITY

Aircraft equipped
with Rotax 912S

Rectifier-Regulator Unit Installation
Figure 2A

24-20-00

Fig. Item	QTY	Part Number	Nomenclature	Effectivity
1			Rectifier-Regulator Unit Installation (Night-VFR only)	Rotax 912S
	1	AT01-7080-025	rectifier-regulator (Rotax P/N: 965349)	
	2	AT01-4540-100	mounting bracket	
	3	AT01-7080-435	capacitor kit (Rotax P/N: 966590 / incl. clamp)	
	4	1800912_M8x20	bolt (ISO 4762 M8x20 8.8)	
	5	AT01-4540-101	Nordlock washer	
	6	1800934_M8	nut (ISO 4032 M8)	
	-7	1807337_3,2x6 ES/ES	rivet (ISO 15984 3,2x6 A2/A2)	

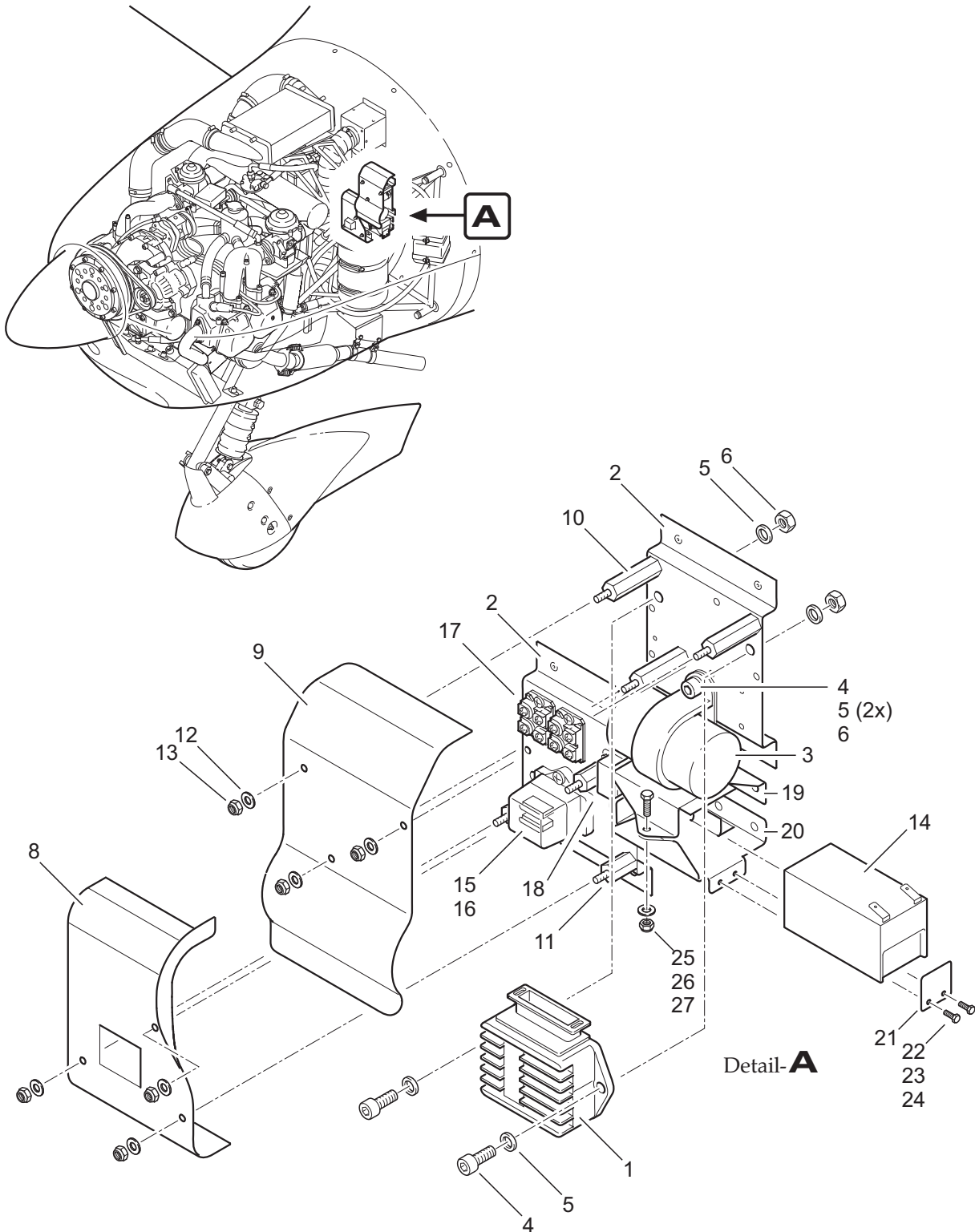
- Item not illustrated

Rectifier-Regulator Unit Installation
Figure 2A

24-20-00

Page 5A

15.05.20



EFFECTIVITY

Aircraft equipped
with Rotax 914F

Rectifier-Regulator Unit Installation
Figure 2B

24-20-00

Fig. Item	QTY	Part Number	Nomenclature	Effectivity
1			Rectifier-Regulator Unit Installation	Rotax 914F
1	1	AT01-7080-025	rectifier-regulator (Rotax P/N: 965349)	
2	2	AT01-4540-100	mounting bracket	
3	1	AT01-7080-435	capacitor kit (Rotax P/N: 966590 / incl. clamp)	
4	3	1800912_M8x20	bolt (ISO 4762 M8x20 8.8)	
5	6	AT01-4540-101	Nordlock washer	
6	3	1800934_M8	nut (ISO 4032 M8)	
-7	8	1807337_3,2x6 ES/ES	rivet (ISO 15984 3,2x6 A2/A2)	
8	1	AT01-7000-180	cover 1	
9	1	AT01-7000-181	cover 2	
10	3	AT01-4530-991	spacer	
11	3	AT01-4530-990	spacer	
12	6	1800125_5,3	washer (ISO 7089 5,3x10)	
13	6	1800985_M5	locknut (ISO 10511 M5)	
14	1	AT01-8210-132	BAT 2 battery	
15	1	AT01-4530-255	fuse holder	
16	2	AT01-4530-412	fuse 10A	
17	2	AT01-4530-708	Schottky diode	
18	1	AT01-4530-694	resistor	
19	1	AT01-8210-145	upper battery mounting bracket	
20	1	AT01-8210-144	lower battery mounting bracket	
21	1	AT01-8210-146	battery locking plate	
22	2	1800933_M3x10	bolt (ISO 4017 M3x10 8.8)	
-23	2	1800125_3,2	washer (ISO 7089 3,2x7)	
-24	2	1800985_M3	locknut (ISO 10511 M3)	
25	1	1800933_M4x12	bolt (ISO 4017 M4x12 8.8)	
26	1	1800125_4,3	washer (ISO 7089 4,3x9)	
27	1	1800985_M4	locknut (ISO 10511 M4)	

- Item not illustrated

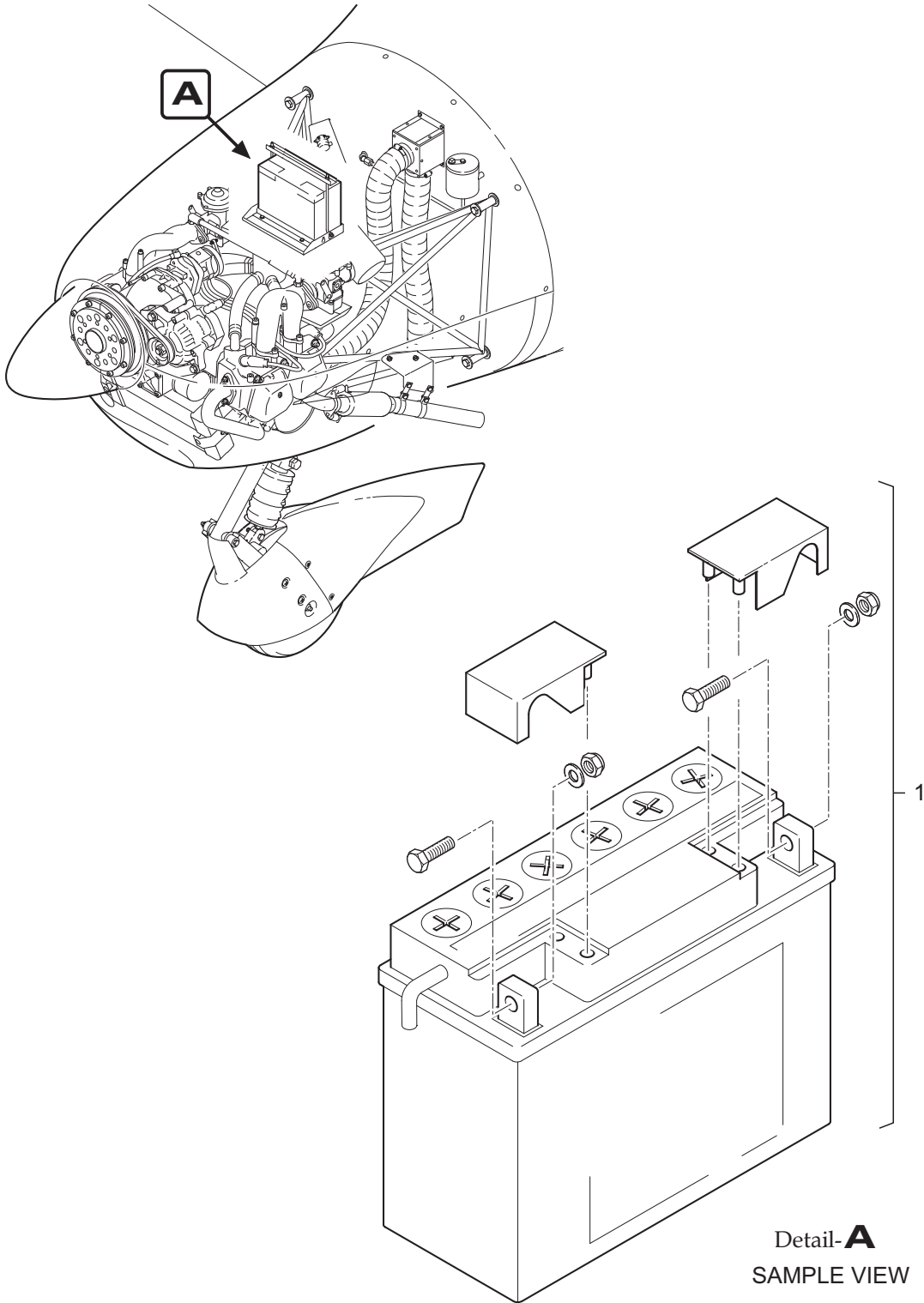
Rectifier-Regulator Unit Installation
Figure 2B

24-20-00

Page 5B

15.05.20

BATTERY SYSTEM



Detail-**A**
SAMPLE VIEW

Main Battery Installation
Figure 1

Fig. Item	QTY	Part Number	Nomenclature	Effectivity
1			Main Battery Installation	
	1	AT01-8210-128	battery Exide Sprinter P12V600	Rotax 912S
		AT01-8210-129	battery Hawker Odyssey PC950	Rotax 914F
-2	1	AT01-7010-114	battery bracket	Rotax 912S
		AT01-7010-144	battery bracket	Rotax 914F
-3	2	AT01-7010-113	battery bracket bolt	Rotax 912S
		AT01-7010-137	battery bracket bolt	Rotax 914F
-4	2	1800125_5,3	washer (ISO 7089 5,3x10)	
-5	2	1800985_M5	locknut (ISO 10511 M5)	

- Item not illustrated

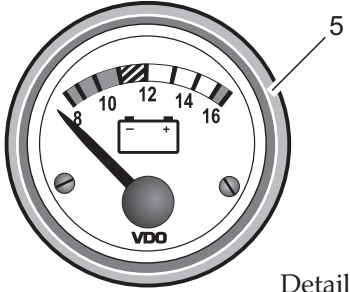
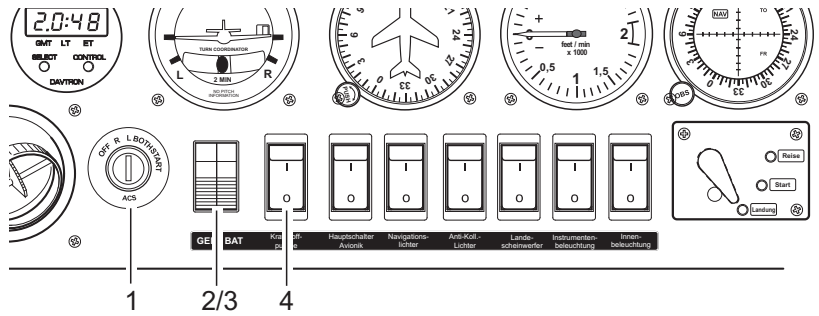
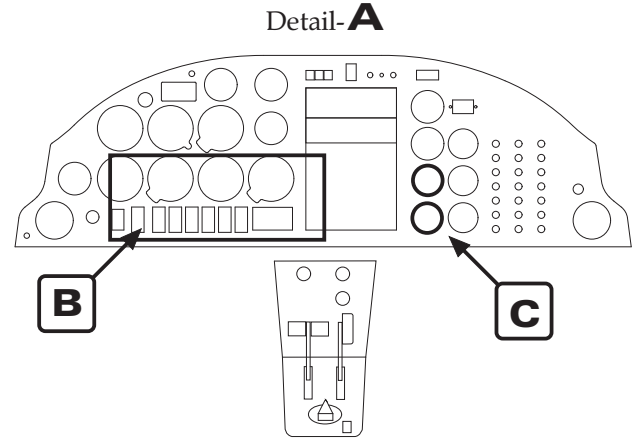
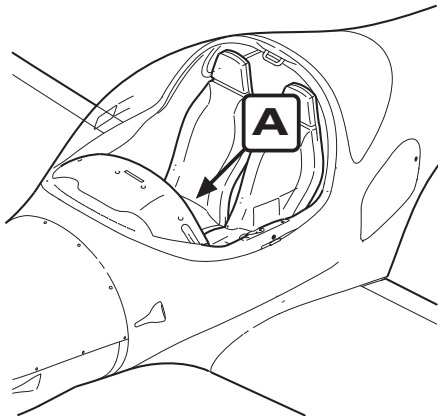
Main Battery Installation
Figure 1

24-30-00

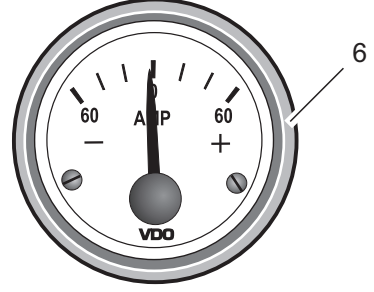
Page 3

15.05.20

**ELECTRICAL LOAD
DISTRIBUTION**



SAMPLE VIEW



Electrical Components - Instrument Panel
Figure 1

Fig. Item	QTY	Part Number	Nomenclature	Effectivity
1			Electrical Components - Instrument Panel	
	1	AT01-8250-105	ignition lock	
	AR	AT01-8250-103	mount for master split switch	
	AR	AT01-8250-104	split master switch	
	AR	AT01-4530-403	fuse switch (3A)	
		AT01-4530-405	fuse switch (5A)	
		AT01-4530-410	fuse switch (10A)	
		AT01-4530-420	fuse switch (20A)	
	1	AT01-2840-126	voltmeter	AT01-100A/B
	1	AT01-2840-121	ammeter	AT01-100A/B

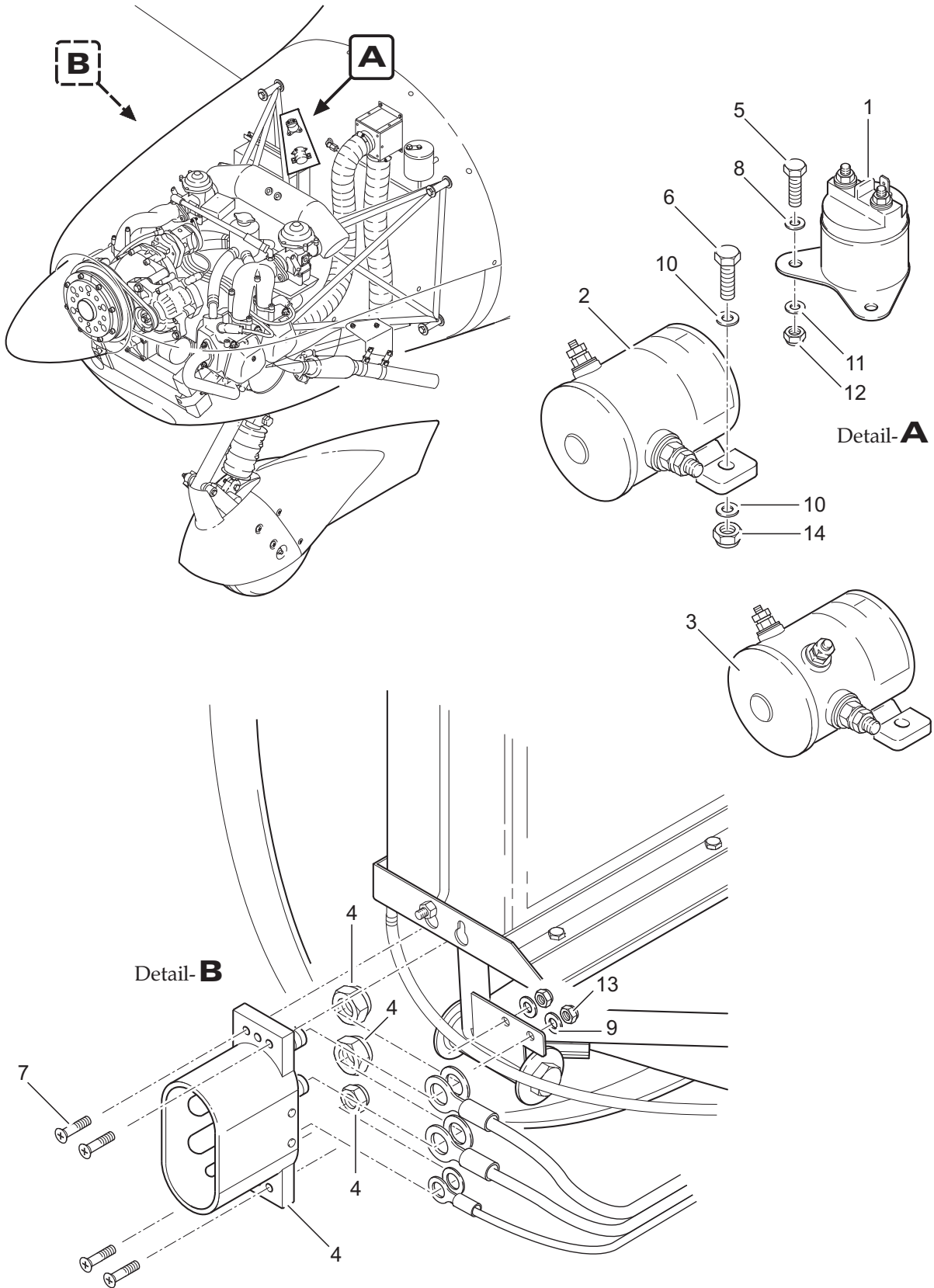
- Item not illustrated

Electrical Components - Instrument Panel
Figure 1

24-60-00

Page 3

15.05.20



Electrical Components - Engine Compartment
Figure 2

Fig. Item	QTY	Part Number	Nomenclature	Effectivity
2			Electrical Components - Engine Compartment	
1	1	AT01-7080-107	starter relay	
2	1	AT01-4530-601	battery relay	
3	1	AT01-8220-123	external power relay	ext. power
4	1	AT01-8220-120	external power supply receptacle	ext. power
5	2	1800933_M5x18	bolt (ISO 4017 M5x18 8.8)	
6	2	1800933_M6x30	bolt (ISO 4017 M6x30 8.8)	
7	4	1800933_M5x25	bolt (ISO 4017 M5x25 8.8)	ext. power
8	2	1800125_5,3	washer (ISO 7089 5,3x10)	
9	4	1800125_5,3	washer (ISO 7089 5,3x10)	ext. power
10	4	1809021_6,4	washer (ISO 7093 6,4x18)	
11	2	1806797_5,3	tooth lock washer (DIN 6797 d5,3)	
12	2	1800985_M5	locknut (ISO 10511 M5)	
13	4	1800985_M5	locknut (ISO 10511 M5)	ext. power
14	2	1800985_M6	locknut (ISO 10511 M6)	

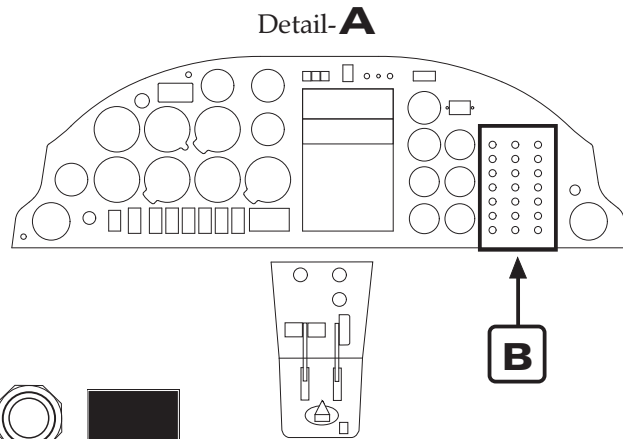
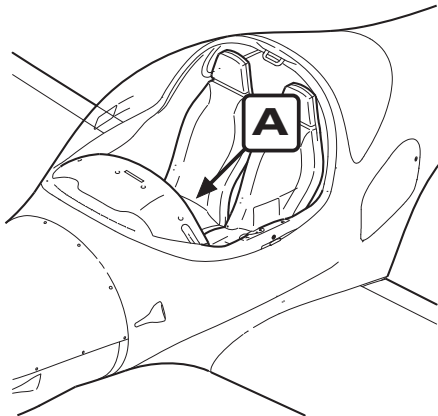
- Item not illustrated

Electrical Components - Engine Compartment
Figure 2

24-60-00

Page 5

15.05.20



3	COM/NAV 2	2	CDI	2	Kontrollleuchten
5	COM/NAV 1	2	Überziehwarnung	2	Ladekontrollleuchte
3	Intercom	2	OAT/CHT	2	Lüfter Avionik
3	Wendeweiseger	2	Kraftstoffvorrat	2	Trimmsteuerung
2	Höhenkodierer	2	Instrumente 1	2	Klappenanzeige
3	Künstl. Horizont	5	Instrumente 2	2	Starterelais
3	Kurskreisel	5	12V Steckdose	2	Klappenmotor
5	GPS	50	Batterie	10	Trimm-motor
5	Transponder	50	Generator	5	

Detail-**B**
SAMPLE VIEW

Circuit Breaker Panel
Figure 3

Fig. Item	QTY	Part Number	Nomenclature	Effectivity
3			Circuit Breaker Panel	
1	AR	AT01-4530-302	circuit breaker (2A)	
		AT01-4530-303	circuit breaker (3A)	
		AT01-4530-304	circuit breaker (4A)	
		AT01-4530-305	circuit breaker (5A)	
		AT01-4530-307	circuit breaker (7,5A)	
		AT01-4530-310	circuit breaker (10A)	
		AT01-4530-320	circuit breaker (20A)	
		AT01-4530-325	circuit breaker (25A)	
		AT01-4530-331	circuit breaker (30A)	
		AT01-4530-350	circuit breaker (50A)	

- Item not illustrated

Circuit Breaker Panel
Figure 3

24-60-00

Page 7

15.05.20



AQUILA AT01-100/200
ILLUSTRATED PARTS CATALOG

CHAPTER 25
EQUIPMENT & FURNISHINGS

TABLE OF CONTENTS

<u>Title</u> <u>Subject</u>	<u>Chapter</u> <u>Section</u> <u>Subject</u>	<u>Page</u>	<u>Effectivity</u>
EQUIPMENT & FURNISHINGS - GENERAL	25-00-00	1	
Equipment & Furnishings - General	25-00-00	2	
SEATS	25-10-00	1	
Seats	25-10-00	2	
Restraint System	25-10-00	4	



AQUILA AT01-100/200
ILLUSTRATED PARTS CATALOG

EQUIPMENT & FURNISHINGS
GENERAL

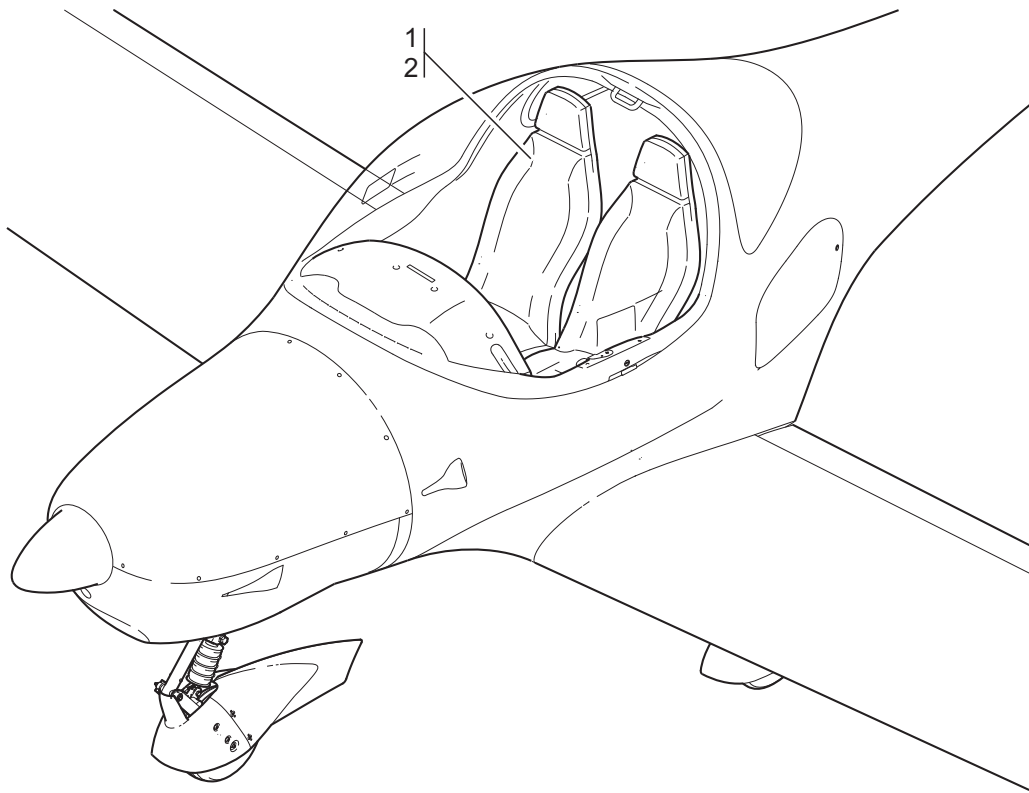


Fig. Item	QTY	Part Number	Nomenclature	Effectivity
1			Equipment & Furnishings - General	
	1		Seats (refer to 25-10-00, figure 1 for details)	
	2		Restraint System (refer to 25-10-00, figure 2 for details)	

- Item not illustrated

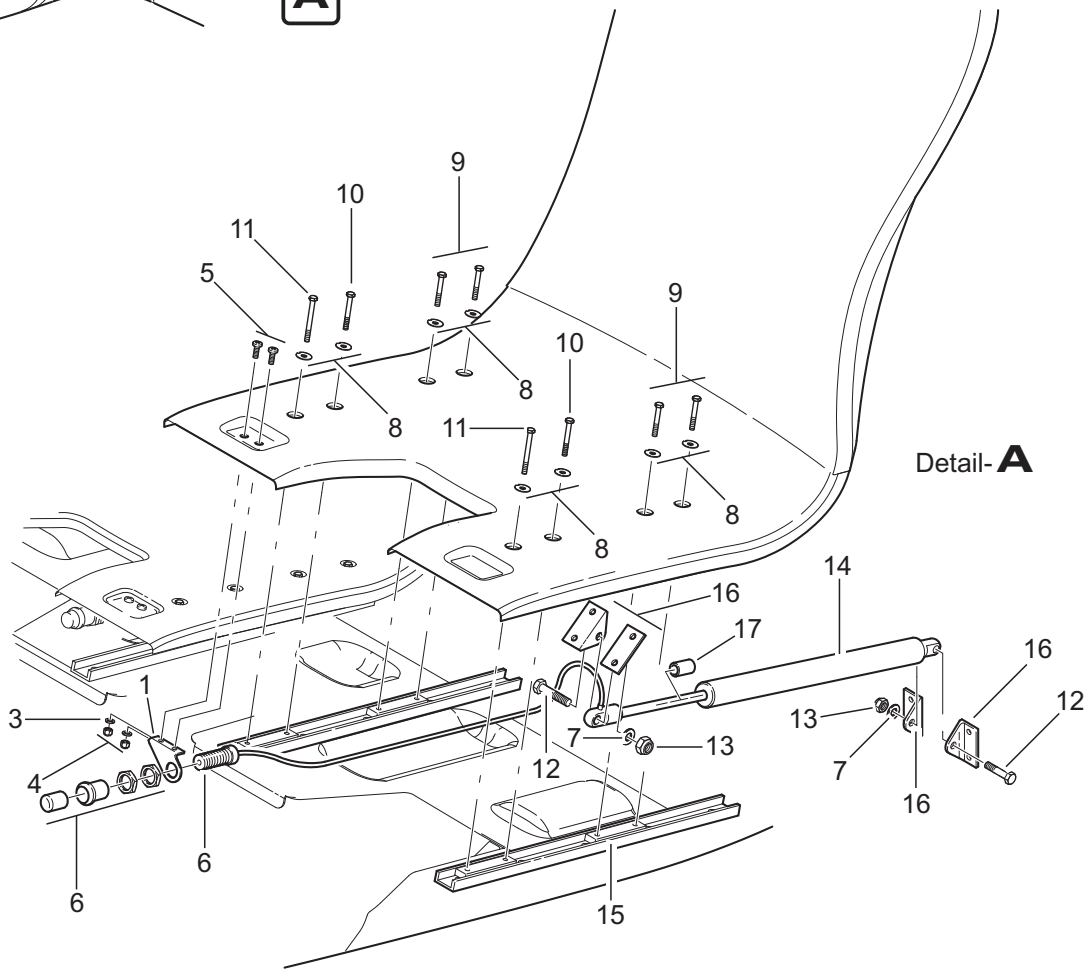
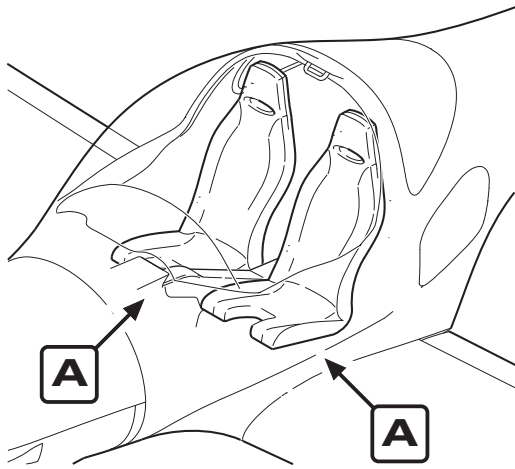
Equipment & Furnishings - General
Figure 1

25-00-00

Page 3

15.05.20

SEATS



Seats
Figure 1

Fig. Item	QTY	Part Number	Nomenclature	Effectivity
1			Seats	
1	1	AT01-2150-117	bearing angle	
2	-	-	-	
3	2	1800125_5,3	washer (ISO 7089 5,3x10)	
4	2	1800985_M5	locknut (ISO 10511 M5)	
5	2	1807991_M5x20	bolt (ISO 10642 M5x20 8.8)	
6	1	AT01-2150-162	hydraulic release system	
	2	1800936_M16x1,5	nut (ISO 8675 M16, included in AT01-2150-162)	
	1	AT01-9610-162	adjusting button (included in AT01-2150-162)	
7	2	1800125_8,4	washer (ISO 7089 8,4x16)	
8	8	1809021_5,3	washer (ISO 7093 5,3x15)	
9	4	1800931_M5x35	bolt (ISO 4014 M5x35 8.8)	
10	2	1800931_M5x40	bolt (ISO 4014 M5x40 8.8)	
11	2	1800931_M5x45	bolt (ISO 4014 M5x45 8.8)	
12	2	1809037_08032	bolt (LN 9037 M8x32)	
13	2	1800985_M8	locknut (ISO 10511 M8)	
14	1	AT01-2150-007	gas-filled strut	
15	2	AT01-2150-103	seat rail	
16	4	AT01-4510-128	bearing angle	
17	1	AT01-2150-179	spacer sleeve (optional)	

Installation of bearing angles AT01-4510-128 to airframe:

-18	4	1800933_M6x25	bolt (ISO 4017 M6x25 8.8)
-19	4	1809021_6,4	washer (ISO 7093 6,4x18)
-20	4	1800985_M6	locknut (ISO 10511 M6)

Installation of bearing angles AT01-4510-128 to seat:

-21	4	1800933_M6x25	bolt (ISO 4017 M6x25 8.8)
-22	4	1809021_6,4	washer (ISO 7093 6,4x18)
-23	4	1800125_6,4	washer (ISO 7089 6,4x12)
-24	4	1800985_M6	locknut (ISO 10511 M6)

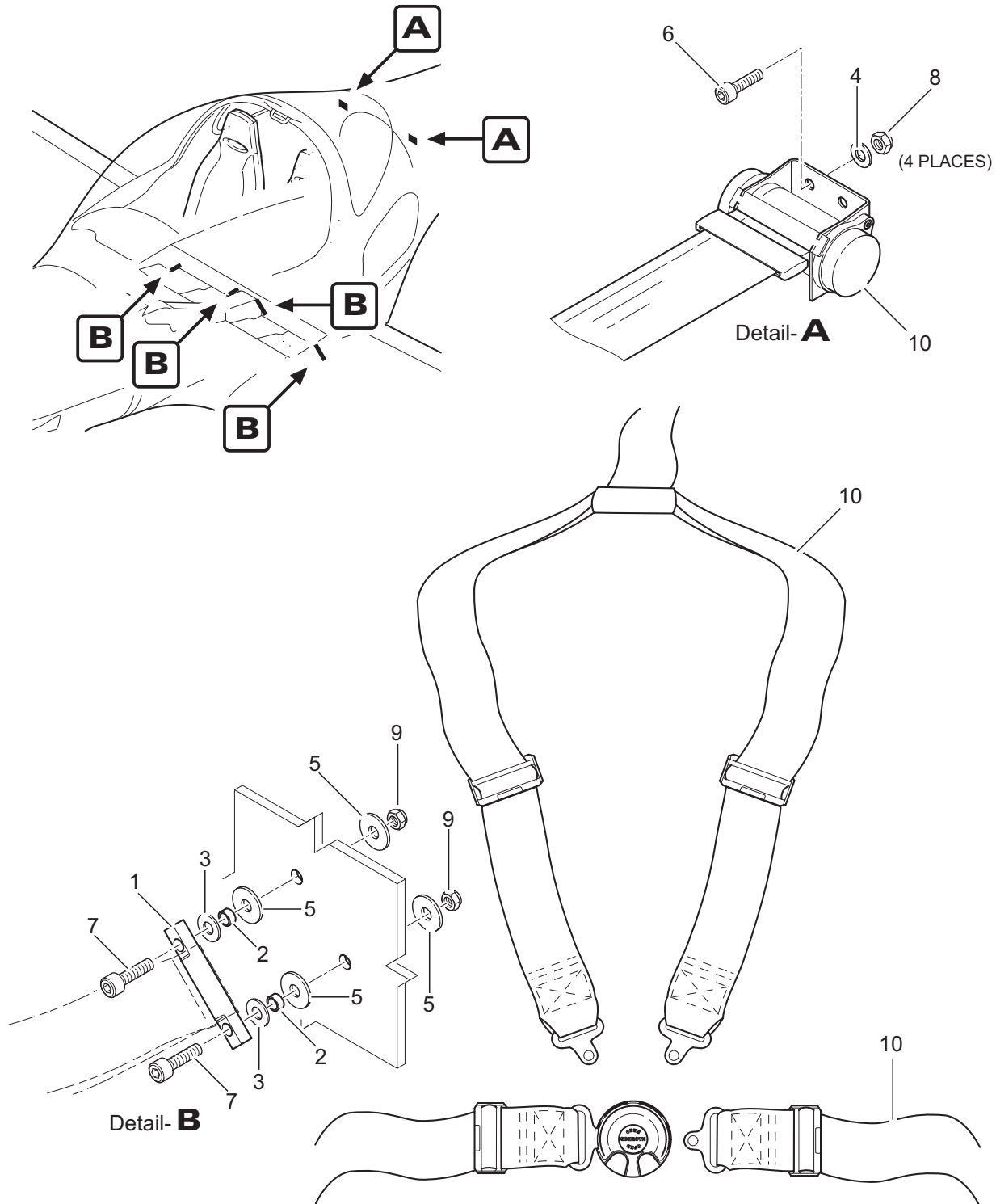
- Item not illustrated

Seats
Figure 1

25-10-00

Page 3

15.05.20



Restraint System
Figure 2

Fig. Item	QTY	Part Number	Nomenclature	Effectivity
2			Restraint System	
1	4	AT01-2150-110	seat belt hoop	
2	8	AT01-4510-110	spacer sleeve	
3	8	1800125_8,4	washer (ISO 7089 8,4x16)	
4	8	1800440_5,5	washer (ISO 7094 5,5x18)	
5	16	1809021_8,4	washer (ISO 7093 8,4x24)	
6	8	1800912_M5x25	bolt (ISO 4762 M5x25 8.8)	
7	8	1800912_M8x50	bolt (ISO 4762 M8x50 8.8)	
8	8	1800985_M5	locknut (ISO 10511 M5)	
9	8	1800985_M8	locknut (ISO 10511 M8)	
10	1	AT01-2150-130	seat belt LH	
-11	1	AT01-2150-131	seat belt RH	

- Item not illustrated

Restraint System
Figure 2

25-10-00

Page 5

15.05.20



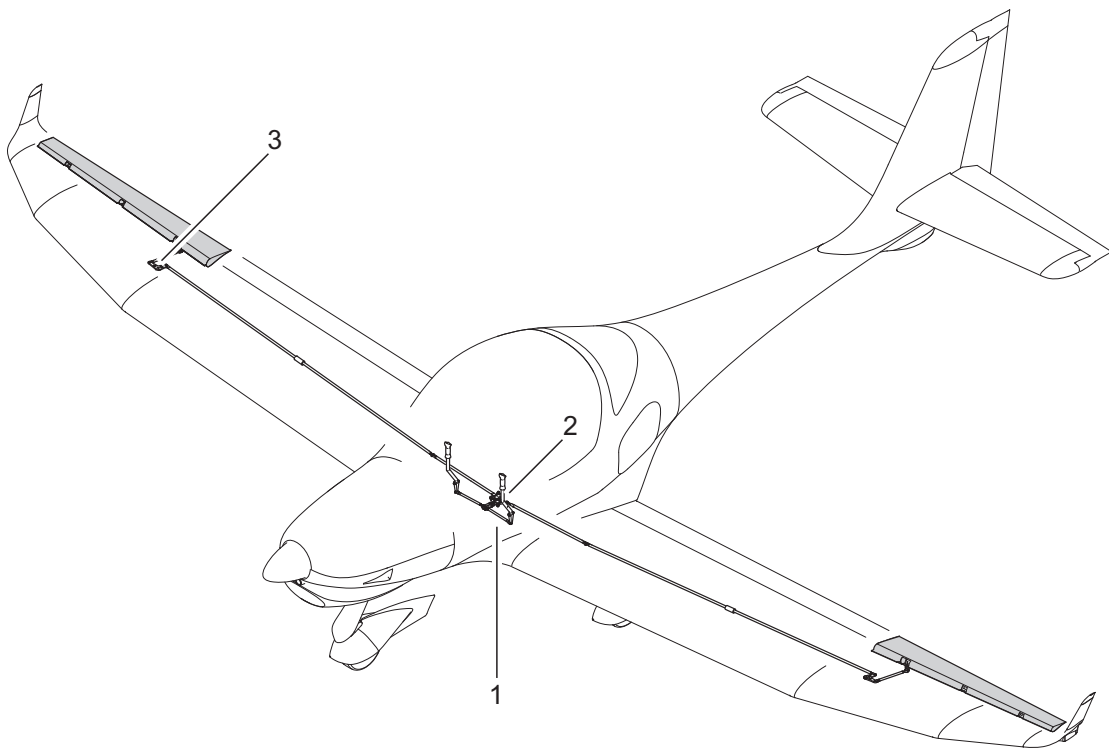
AQUILA AT01-100
ILLUSTRATED PARTS CATALOG

CHAPTER 27
FLIGHT CONTROLS

TABLE OF CONTENTS

<u>Title</u> <u>Subject</u>	<u>Chapter</u> <u>Section</u> <u>Subject</u>	<u>Page</u>	<u>Effectivity</u>
AILERON AND TAB	27-10-00	1	
Aileron and Tab - General	27-10-00	2	
Aileron Control System - Cockpit	27-10-00	4	
Aileron Control System - Fuselage	27-10-00	6	
Aileron Control System - Wings	27-10-00	8	
 RUDDER AND TAB	 27-20-00	 1	
Rudder and Tab - General	27-20-00	2	
Rudder Control System	27-20-00	4	
Rudder Pedal Installation	27-20-00	6A	Beringer
Rudder Pedal Installation	27-20-00	6B	Cleveland
Rudder Pedal Installation	27-20-00	6C	Matco
 ELEVATOR AND TAB	 27-30-00	 1	
Elevator and Tab - General	27-30-00	2	
Elevator Control System - Cockpit	27-30-00	4	
Elevator Control System - Fuselage	27-30-00	6	
 ELEVATOR TRIM SYSTEM	 27-31-00	 1	
Elevator Trim System	27-31-00	2	
 FLAPS	 27-50-00	 1	
Flaps - General	27-50-00	2	
Flap System - Fuselage	27-50-00	4	
Flap System - Wings	27-50-00	6	

AILERON AND TAB



Aileron and Tab - General
Figure 1

Fig. Item	QTY	Part Number	Nomenclature	Effectivity
1			Aileron and Tab - General	
	1		Aileron Control System - Cockpit (refer to 27-10-00, figure 2 for details)	
	2		Aileron Control System - Fuselage (refer to 27-10-00, figure 3 for details)	
	3		Aileron Control System - Wings (refer to 27-10-00, figure 4 for details)	

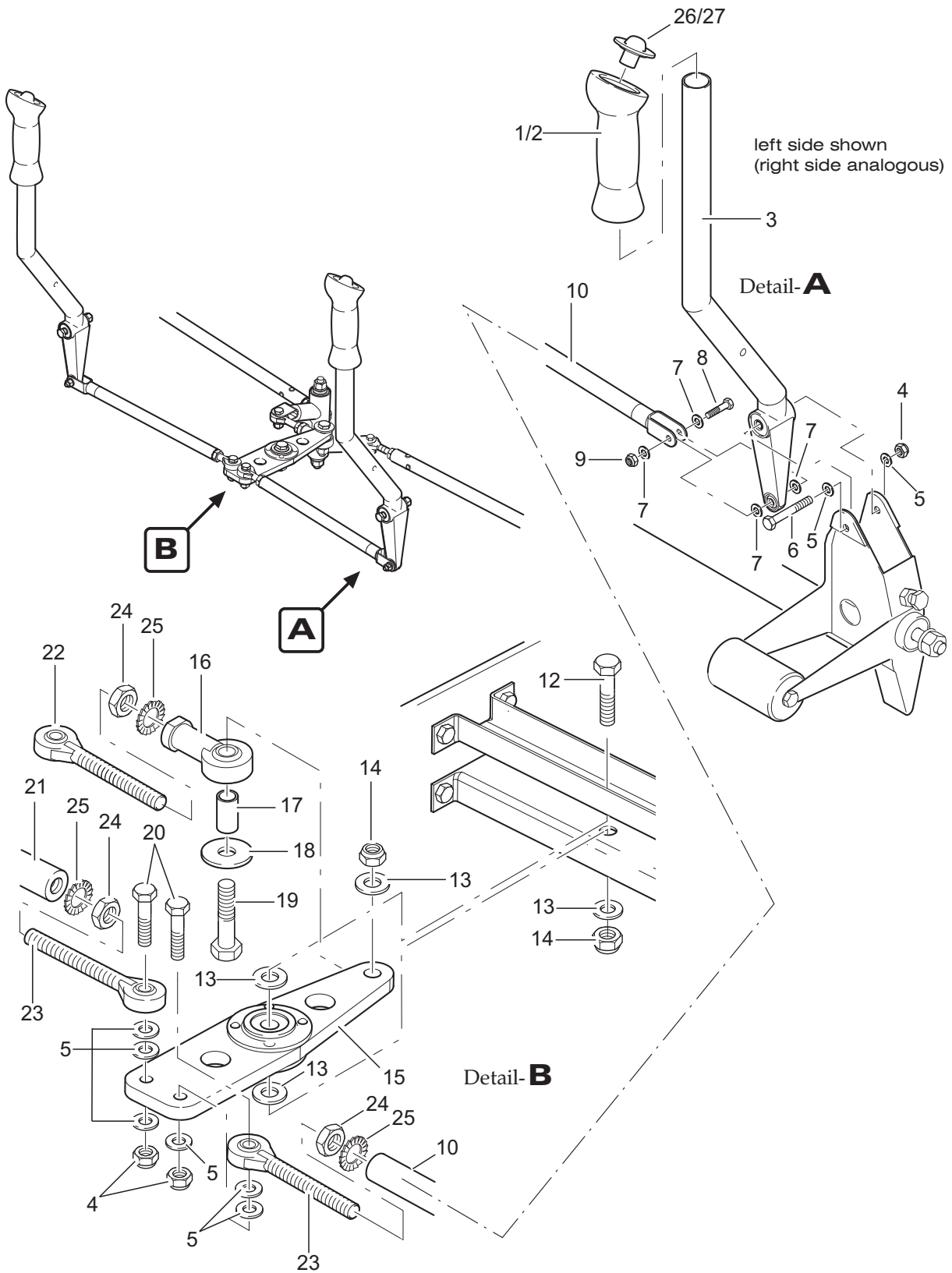
- Item not illustrated

Aileron and Tab - General
Figure 1

27-10-00

Page 3

03.03.14



Aileron Control System - Cockpit
 Figure 2

Fig. Item	QTY	Part Number	Nomenclature	Effectivity
2			Aileron Control System - Cockpit	
- 1	2	AT01-6010-017	handle	
2	2	AT01-6010-024	wooden handle (optional)	
3	2	AT01-6010-025	control stick	
4	4	1800985_M6	locknut (DIN 985 M6)	
5	10	1800125_6,4	washer (DIN 125 6,4x12)	
6	2	1809037_06050	bolt (LN 9037 M6x50)	
7	8	1800125_5,3	washer (DIN 125 5,3x10)	
8	2	1809037-05022	bolt (LN 9037 M5x22)	
9	2	1800985_M5	locknut (DIN 985 M5)	
10	1	AT01-6010-021	pushrod LH	
- 11	1	AT01-6010-022	pushrod RH	
12	1	1809037_08032	bolt (LN 9037 M8x32)	
13	4	1800125_8,4	washer (DIN 125 8,4x16)	
14	2	1800985_M8	locknut (DIN 985 M8)	
15	1	AT01-6010-006	bellcrank	
16	1	AT01-1850-124	swivel head	
17	1	AT01-6010-121	spacer sleeve	
18	1	1809021_8,4	washer (DIN 9021 8,4x24)	
19	1	1809037_08048	bolt (LN 9037 M8x48)	
20	2	1809037_06028	bolt (LN 9037 M6x28)	
21	1	AT01-6010-022	pushrod	
22	1	AT01-1850-119	swivel head	
23	2	AT01-1850-120	swivel head	
24	3	1800936_M8	nut (DIN 936 M8)	
25	3	1806797_8,4	tooth lock washer (DIN 6797 d8,4)	
- 26	2	AT01-8250-110	push button (part of item 1)	
27	2	AT01-8250-111	push button (part of item 2)	

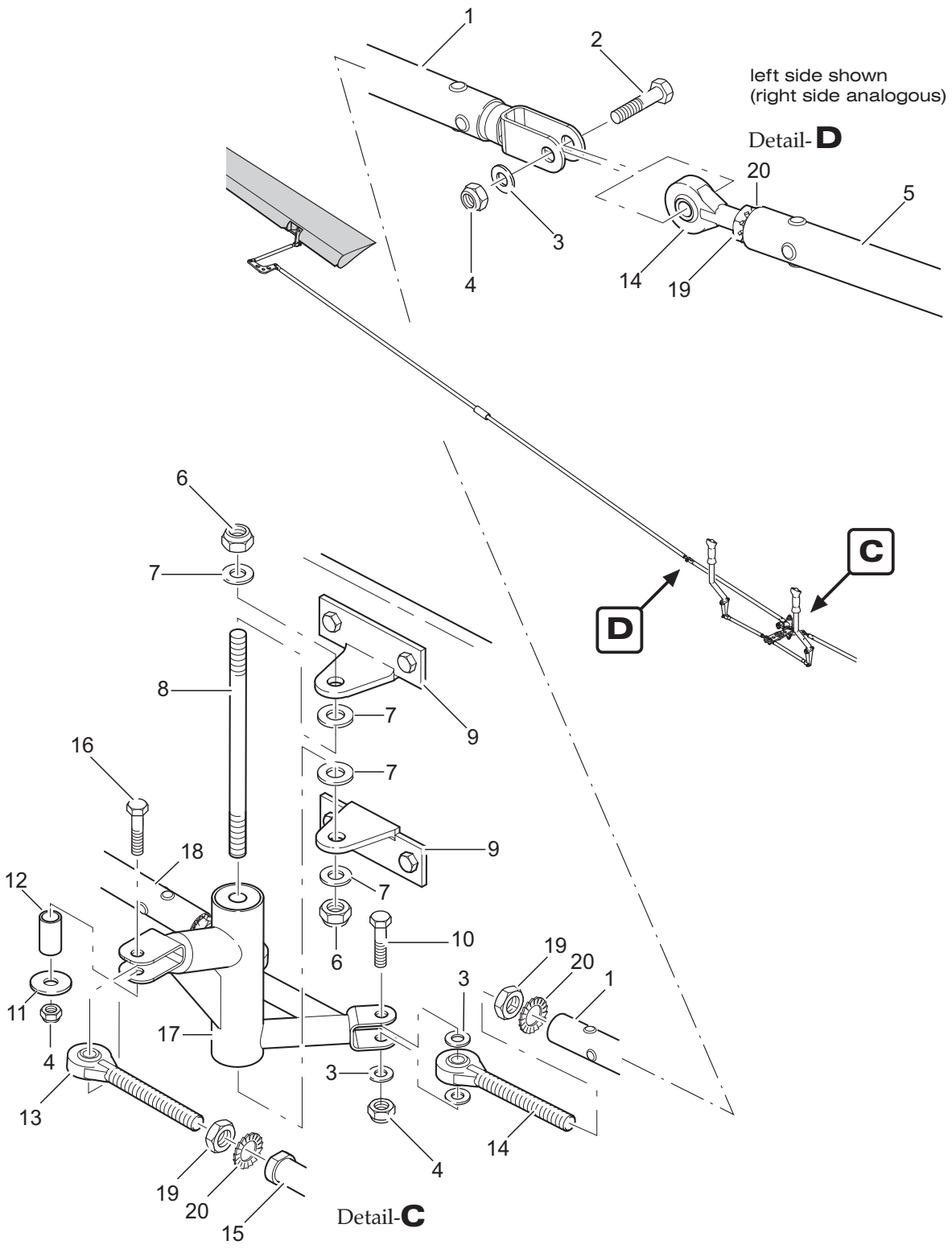
- Item not illustrated

Aileron Control System - Cockpit
Figure 2

27-10-00

Page 5

03.03.14



Aileron Control System - Fuselage
Figure 3

Fig. Item	QTY	Part Number	Nomenclature	Effectivity
3			Aileron Control System - Fuselage	
1	1	AT01-6010-016	pushrod LH	
2	2	1809037_06022	bolt (LN 9037 M6x22)	
3	4	1800125_6,4	washer (DIN 125 6,4x12)	
4	4	1800985_M6	locknut (DIN 985 M6)	
5	2	AT01-6010-026	pushrod	
6	2	1800985_M8	locknut (DIN 985 M8)	
7	4	1800125_8,4	washer (DIN 125 8,4x16)	
8	1	AT01-6010-117	threaded rod	
9	2	AT01-6010-105	bearing angle	
10	2	1809037_06026	bolt (LN 9037 M6x26)	
11	1	1809021_6,4	washer (DIN 9021 6,4x18)	
12	1	AT01-6010-120	bushing	
13	1	AT01-1850-119	swivel head	
14	4	AT01-1850-120	swivel head	
15	1	AT01-1850-124	swivel head	
16	1	1809037_06038	bolt (LN 9037 M6x38)	
17	1	AT01-6010-008	mixer shaft	
18	1	AT01-6010-018	pushrod RH	
19	5	1800936_M8	nut (DIN 936 M8)	
20	5	1806797_8,4	tooth lock washer (DIN 6797 d8,4)	

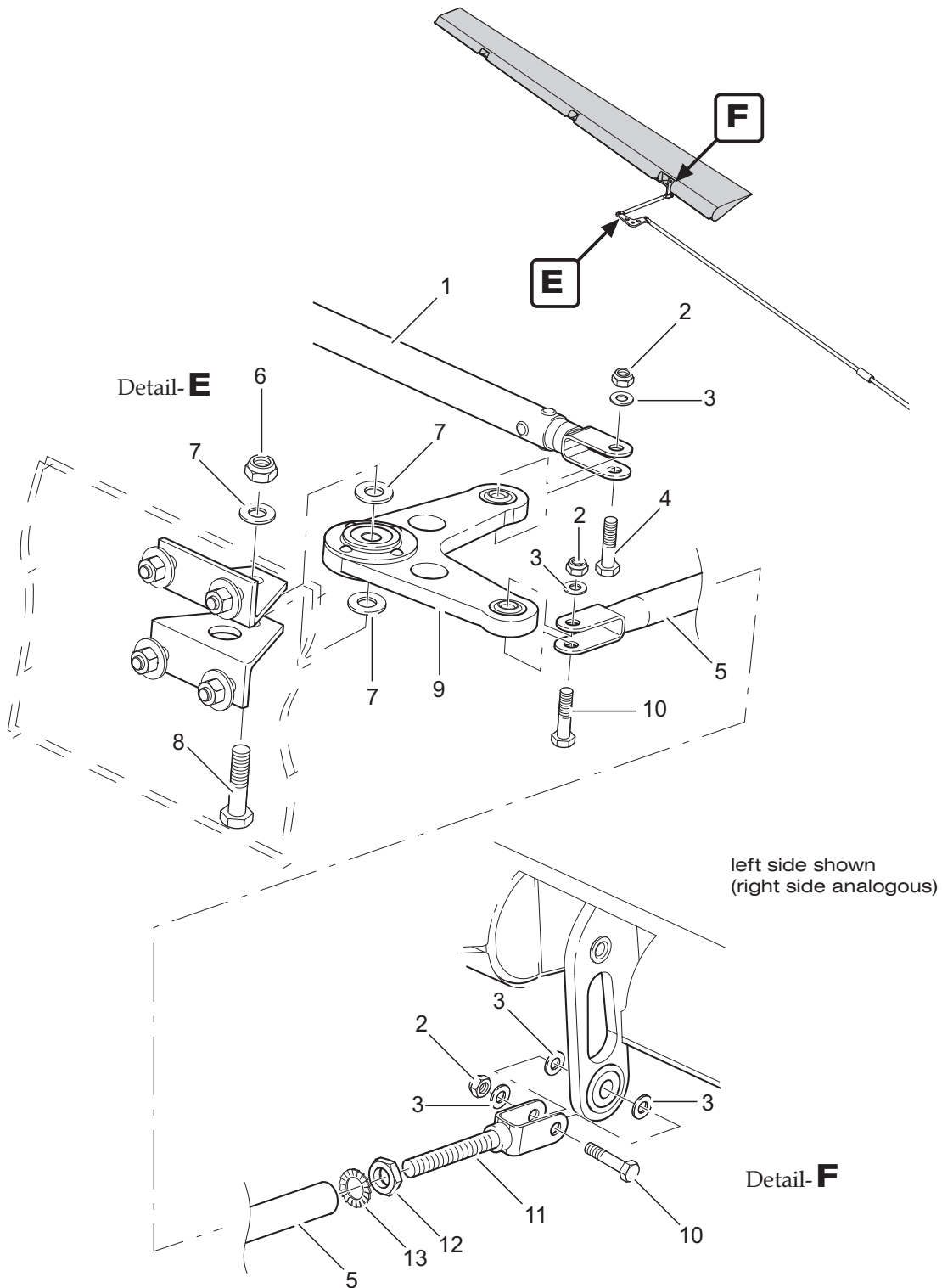
- Item not illustrated

Aileron Control System - Fuselage
Figure 3

27-10-00

Page 7

03.03.14



Aileron Control System - Wings
Figure 4

Fig. Item	QTY	Part Number	Nomenclature	Effectivity
4			Aileron Control System - Wings	
1	2	AT01-6010-026	pushrod	
2	6	1800985_M6	locknut (DIN 985 M6)	
3	10	1800125_6,4	washer (DIN 125 6,4x12)	
4	2	1809037_06022	bolt (LN 9037 M6x22)	
5	2	AT01-6010-019	pushrod	
6	2	1800985_M8	locknut (DIN 985 M8)	
7	6	1800125_8,4	washer (DIN 125 8,4x16)	
8	2	1809037_08038	bolt (LN 9037 M8x38)	
9	2	AT01-6010-011	bellcrank	
10	4	1809037_06026	bolt (LN 9037 M6x26)	
11	2	AT01-6010-023	clevis	
12	2	1800936_M8	nut (DIN 936 M8)	
13	2	1806797_8,4	tooth lock washer (DIN 6797 d8,4)	

- Item not illustrated

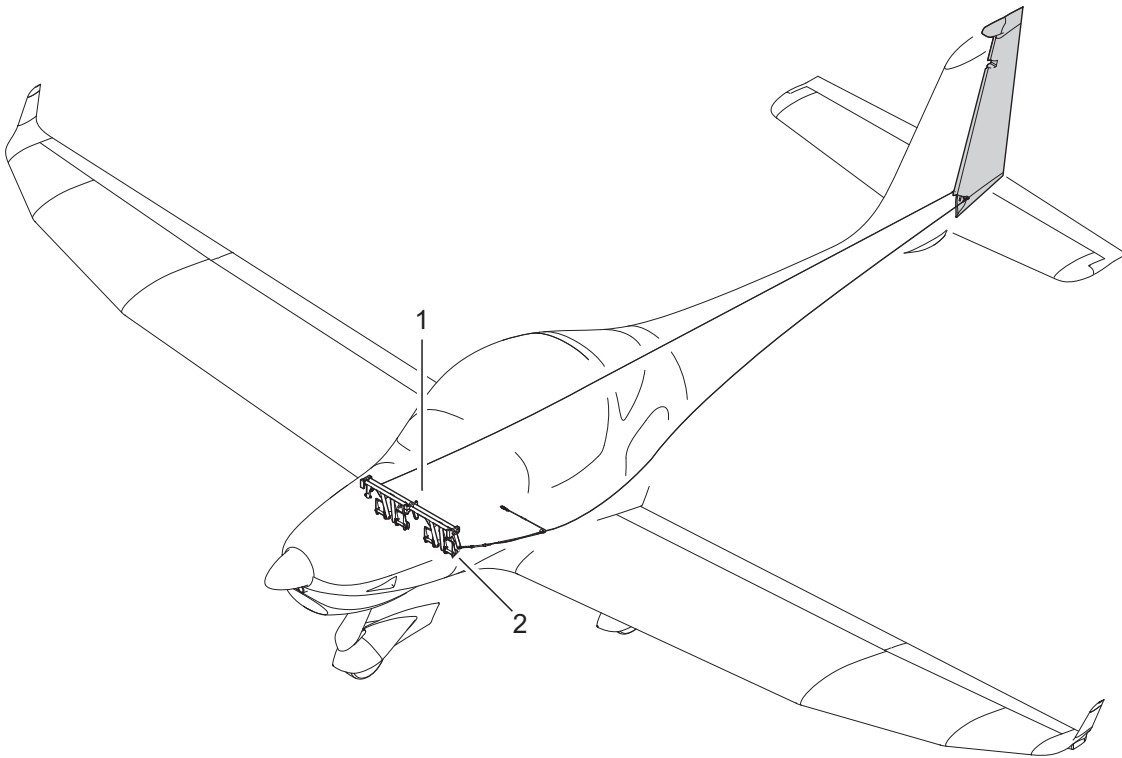
Aileron Control System - Wings
Figure 4

27-10-00

Page 9

03.03.14

RUDDER AND TAB



Rudder and Tab - General
Figure 1

Fig. Item	QTY	Part Number	Nomenclature	Effectivity
1			Rudder and Tab - General	
	1		Rudder Control System (refer to 27-20-00, figure 2 for details)	
	2		Rudder Pedal Installation (refer to 27-20-00, figure 3A for details)	Beringer
	3		Rudder Pedal Installation (refer to 27-20-00, figure 3B for details)	Cleveland
	4		Rudder Pedal Installation (refer to 27-20-00, figure 3C for details)	Matco

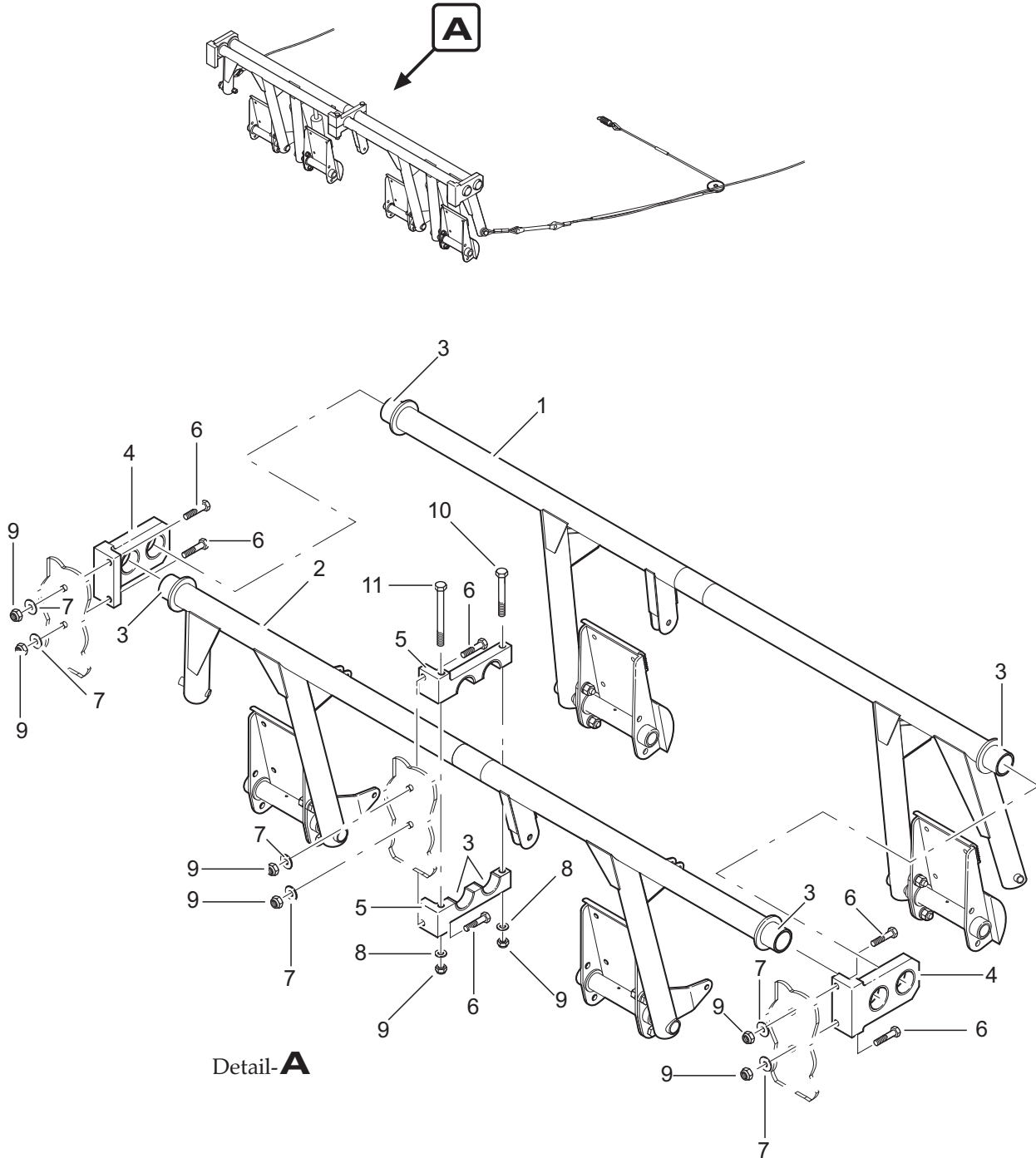
- Item not illustrated

Rudder and Tab - General
Figure 1

27-20-00

Page 3

03.03.14



Detail-**A**

Rudder Control System
Figure 2

Fig. Item	QTY	Part Number	Nomenclature	Effectivity
2			Rudder Control System	
1	1	AT01-6040-002	rudder rotary shaft LH	
2	1	AT01-6040-003	rudder rotary shaft RH	
3	6	1850019	Permaglide bushing	
4	2	AT01-6040-101	outer bearing bracket	
5	1	AT01-6040-100	central bearing bracket	
6	6	1800931_M6x30	bolt (DIN 931 M6x30)	
7	6	1809021_6,4	washer (DIN 9021 6,4x18)	
8	2	1800125_6,4	washer (DIN 125 6,4x12)	
9	8	1800985_M6	locknut (DIN 985 M6)	
10	1	1800931_M6x50	bolt (DIN 931 M6x50)	
11	1	1800931_M6x70	bolt (DIN 931 M6x70)	

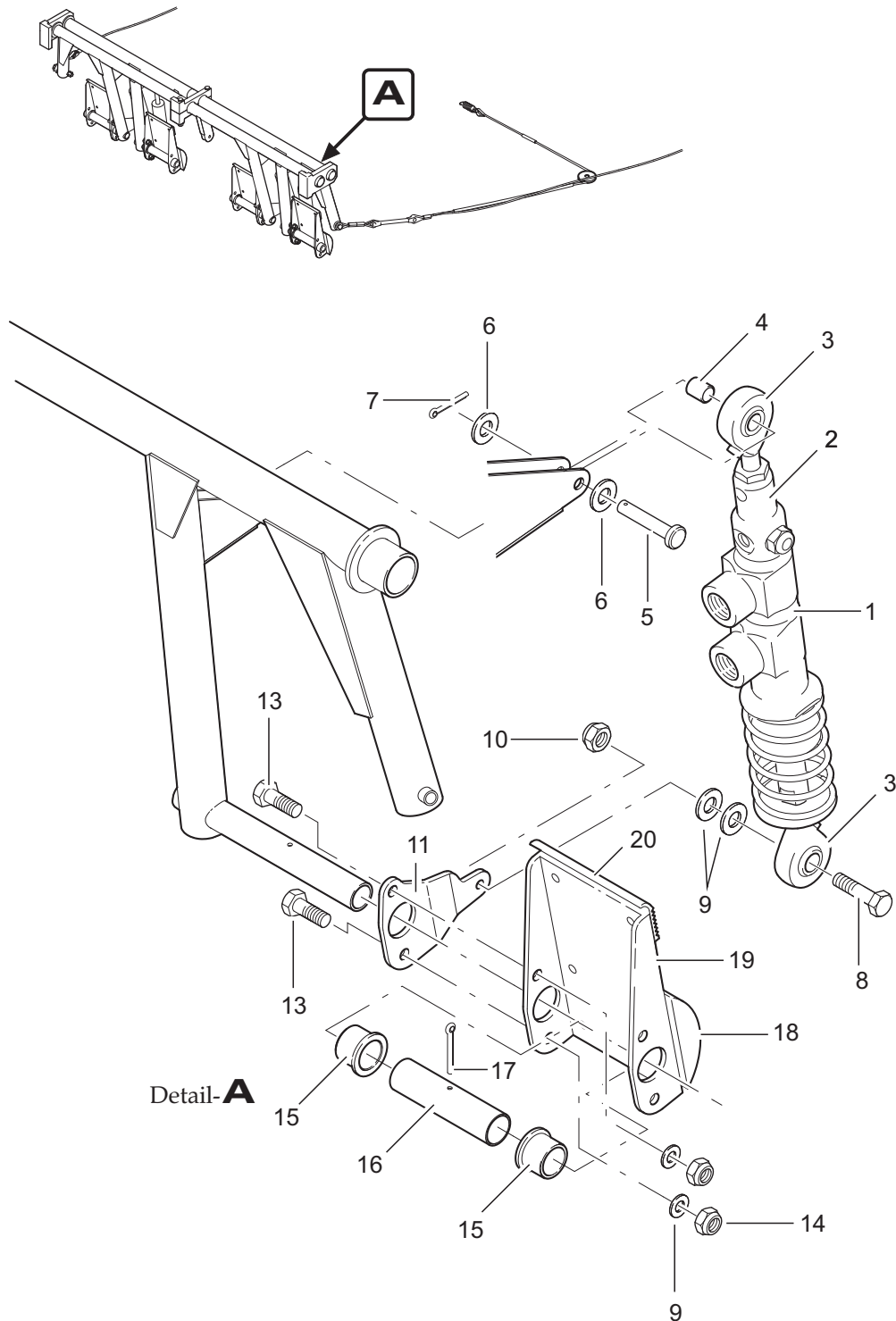
- Item not illustrated

Rudder Control System
Figure 2

27-20-00

Page 5

03.03.14



EFFECTIVITY

Aircraft equipped with
 Beringer brake cylinders

Rudder Pedal Installation
 Figure 3A

27-20-00

Fig. Item	QTY	Part Number	Nomenclature	Effectivity
3A			Rudder Pedal Installation	Beringer
1	4	AT01-6040-145	brake master cylinder Beringer	
2	4	AT01-6040-146	extender	
3	8	AT01-6040-147	rod end	
4	4	AT01-1850-151	sleeve bearing	
5	4	1801434_5x18	bolt (DIN 1434 5x18)	
6	8	1800125_5,3	washer (DIN 125 5,3x10)	
7	4	1800094_1,2x10	split pin (DIN 94 1,2x10)	
8	4	1809037_06022	bolt (LN 9037 M6x22)	
9	16	1800125_6,4	washer (DIN 125 6,4x12)	
10	4	1800980_M6	locknut (DIN 980 M6)	
11	2	AT01-6040-136	pedal lever LH	
- 12	2	AT01-6040-137	pedal lever RH	
13	8	1800933_M6x16	bolt (DIN 933 M6x16)	
14	8	1800985_M6	locknut (DIN 985 M6)	
15	8	AT01-6040-104	bearing bush	
16	4	AT01-6040-103	spacer sleeve	
17	4	1800094_2,5x28	split pin (DIN 94 2,5x28)	
18	4	AT01-6040-142	footplate rudder	
19	4	AT01-6040-132	pedal body	
20	4	AT01-6040-130	footplate brake	

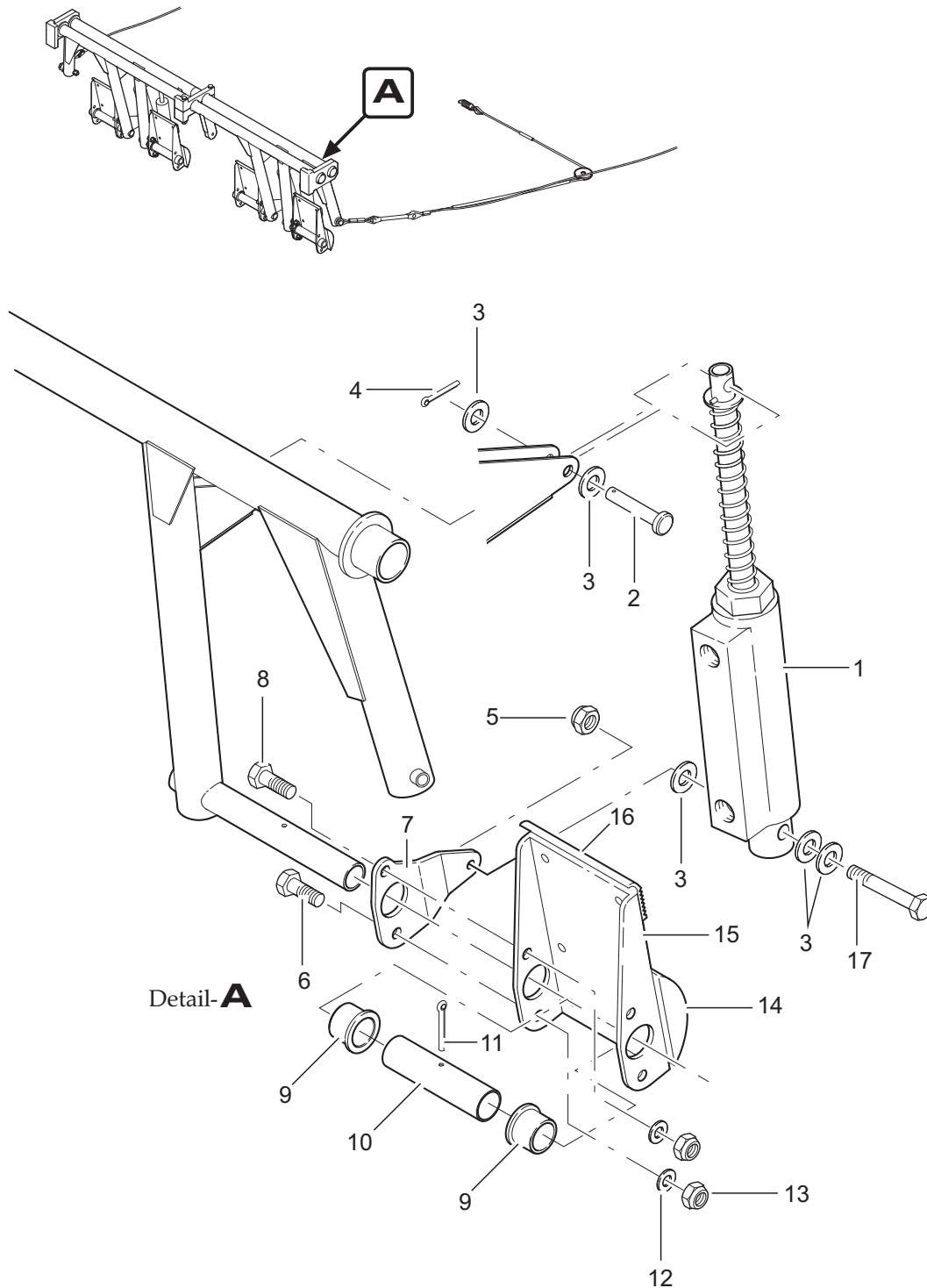
- Item not illustrated

Rudder Pedal Installation
Figure 3A

27-20-00

Page 7A

03.03.14



EFFECTIVITY
 Aircraft equipped with
 Cleveland brake cylinders

Rudder Pedal Installation
 Figure 3B

27-20-00

Fig. Item	QTY	Part Number	Nomenclature	Effectivity
3B			Rudder Pedal Installation	Cleveland
1	4	AT01-6040-106	brake master cylinder Cleveland	
2	4	1801434_5x18	bolt (DIN 1434 5x18)	
3	20	1800125_5,3	washer (DIN 125 5,3x10)	
4	4	1800094_1,2x10	split pin (DIN 94 1,2x10)	
5	4	1800980_M5	locknut (DIN 980 M5)	
6	8	1800933_M6x16	bolt (DIN 933 M6x16)	
7	2	AT01-6040-133	pedal lever LH	
- 8	2	AT01-6040-134	pedal lever RH	
9	8	AT01-6040-104	bearing bush	
10	4	AT01-6040-103	spacer sleeve	
11	4	1800094_2,5x28	split pin (DIN 94 2,5x28)	
12	8	1800125_6,4	washer (DIN 125 6,4x12)	
13	8	1800985_M6	locknut (DIN 985 M6)	
14	4	AT01-6040-142	footplate rudder	
15	4	AT01-6040-132	pedal body	
16	4	AT01-6040-130	footplate brake	
17	4	1809037_05030	bolt (LN 9037 M5x30)	

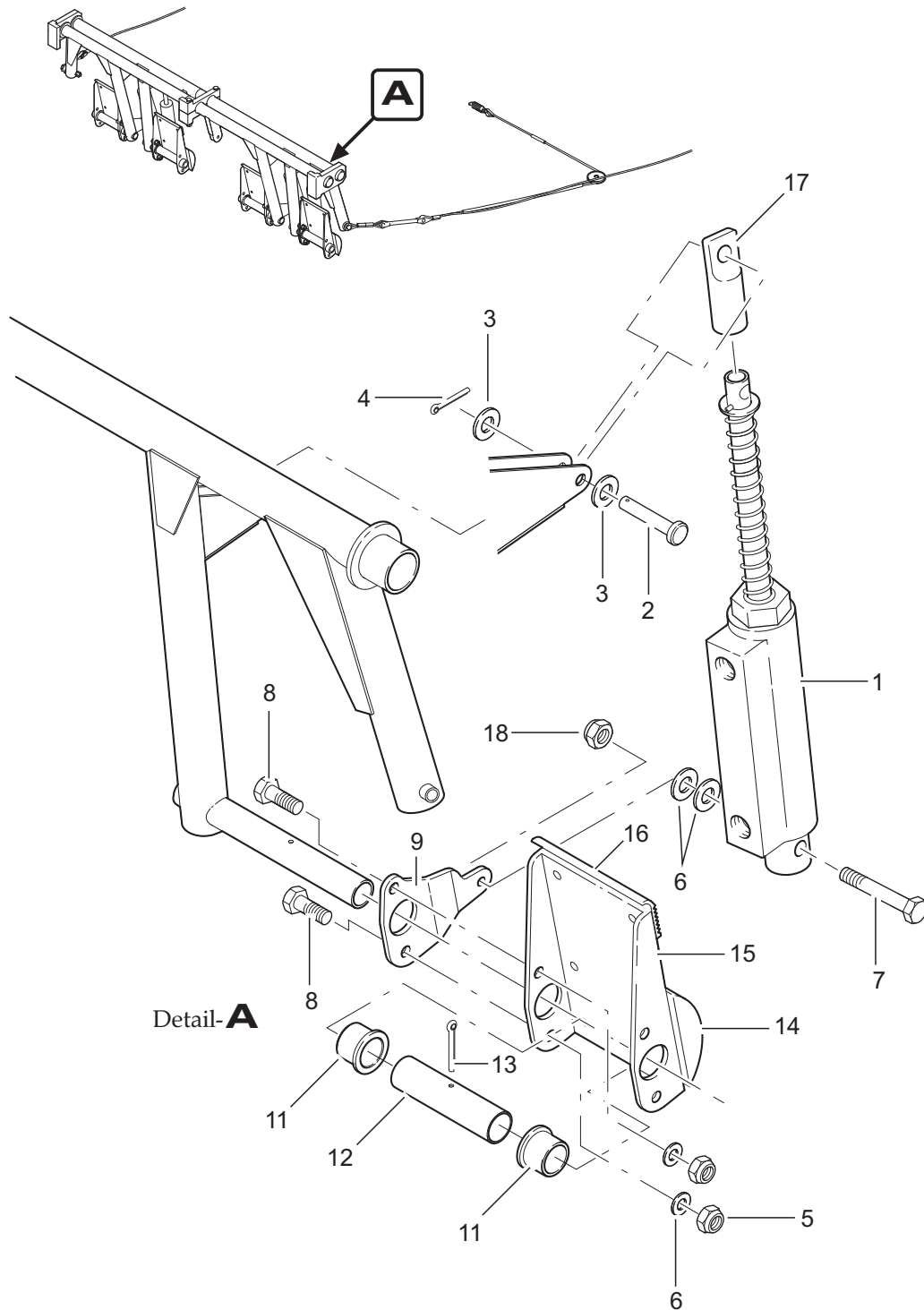
- Item not illustrated

Rudder Pedal Installation
Figure 3B

27-20-00

Page 7B

03.03.14



Detail-**A**

EFFECTIVITY
 Aircraft equipped with
 Matco brake cylinders

Rudder Pedal Installation
 Figure 3C

27-20-00

Fig. Item	QTY	Part Number	Nomenclature	Effectivity
3C			Rudder Pedal Installation	Matco
1	4	AT01-6040-138	brake master cylinder Matco	
2	4	1801434_5x18	bolt (DIN 1434 5x18)	
3	8	1800125_5,3	washer (DIN 125 5,3x10)	
4	4	1800094_1,2x10	split pin (DIN 94 1,2x10)	
5	8	1800985_M6	locknut (DIN 985 M6)	
6	16	1800125_6,4	washer (DIN 125 6,4x12)	
7	4	1809037_M6x26	bolt (LN 9037 M6x26)	
8	8	1800933_M6x16	bolt (DIN 933 M6x16)	
9	2	AT01-6040-136	pedal lever LH	
- 10	2	AT01-6040-137	pedal lever RH	
11	8	AT01-6040-104	bearing bush	
12	4	AT01-6040-103	spacer sleeve	
13	4	1800094_2,5x28	split pin (DIN 94 2,5x28)	
14	4	AT01-6040-142	footplate rudder	
15	4	AT01-6040-132	pedal body	
16	4	AT01-6040-130	footplate brake	
17	4	AT01-6040-135	adapter	
18	4	1800980_M6	locknut (DIN 980 M6)	

- Item not illustrated

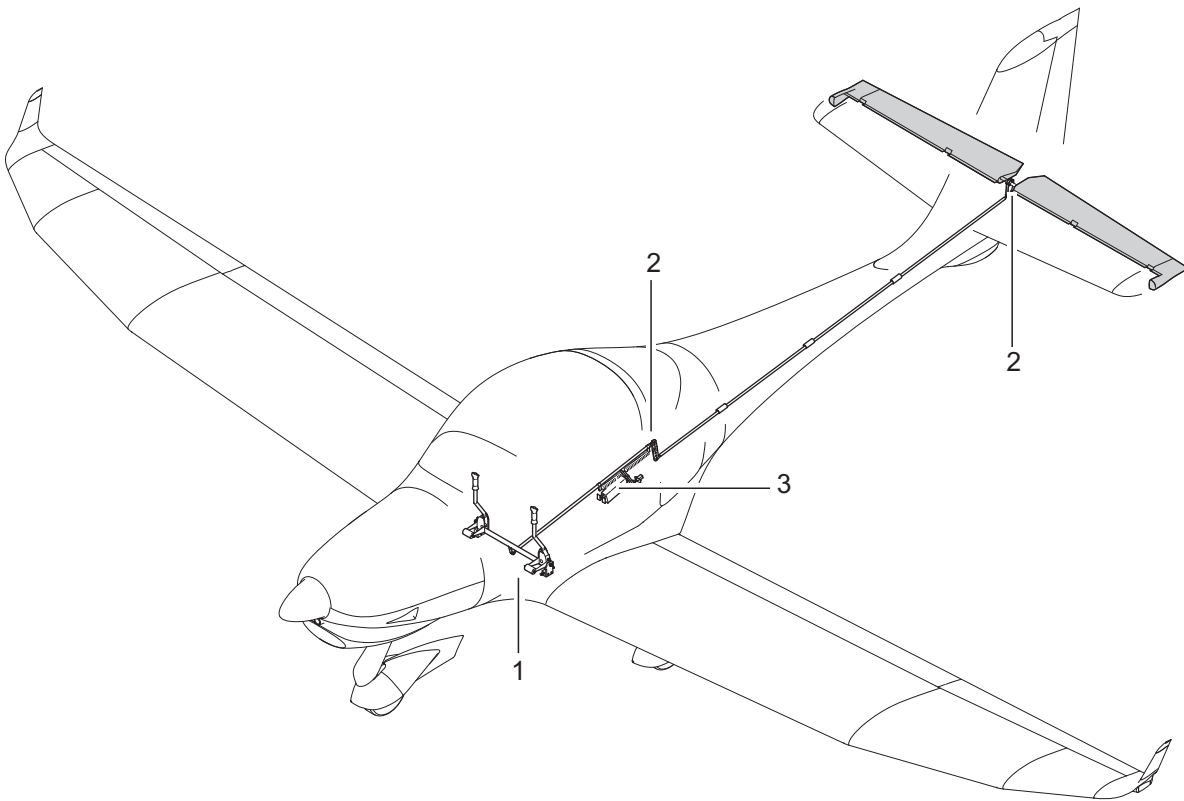
Rudder Pedal Installation
Figure 3C

27-20-00

Page 7C

03.03.14

ELEVATOR AND TAB



Elevator and Tab - General
Figure 1

Fig. Item	QTY	Part Number	Nomenclature	Effectivity
1			Elevator and Tab - General	
	1		Elevator Control System - Cockpit (refer to 27-30-00, figure 2 for details)	
	2		Elevator Control System - Fuselage (refer to 27-30-00, figure 3 for details)	
	3		Elevator Trim System (refer to 27-31-00, figure 1 for details)	

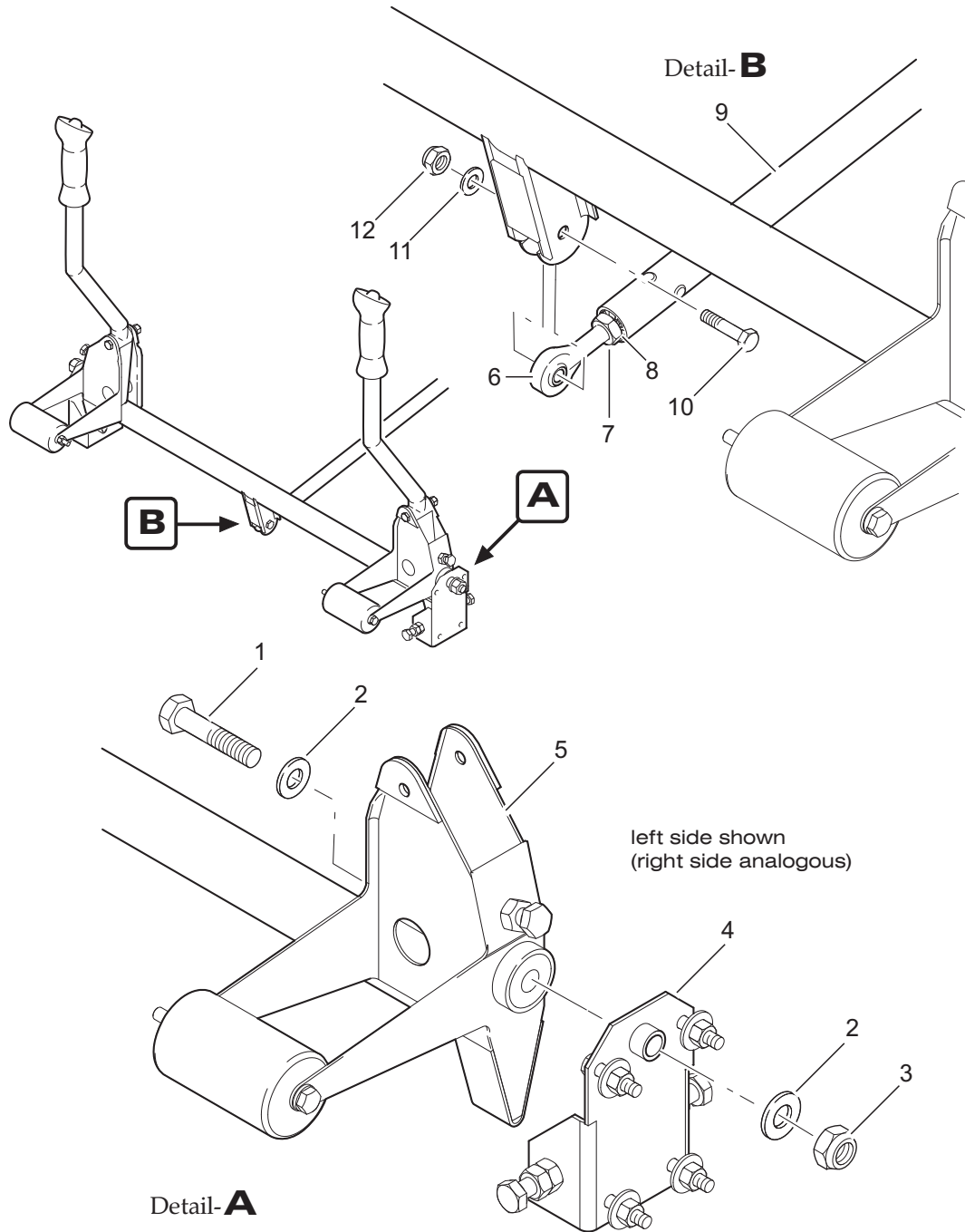
- Item not illustrated

Elevator and Tab - General
Figure 1

27-30-00

Page 3

03.03.14



Elevator Control System - Cockpit
Figure 2

Fig. Item	QTY	Part Number	Nomenclature	Effectivity
2			Elevator Control System - Cockpit	
1	2	1809037_10040	bolt (LN 9037 M10x40)	
2	2	1800125_10,5	washer (DIN 125 10,5x20)	
3	2	1800985_M10	locknut (DIN 985 M10)	
4	2	AT01-6030-109	coupling shaft mounting	
5	2	AT01-6030-003	control stick coupling shaft	
6	4	AT01-1850-120	swivel head	
7	2	1800936_M8	nut (DIN 936 M8)	
8	2	1806797_8,4	tooth lock washer (DIN 6797 d8,4)	
9	1	AT01-6030-011	pushrod	
10	1	1809037_06022	bolt (LN 9037 M6x22)	
11	1	1800125_6,4	washer (DIN 125 6,4x12)	
12	1	1800985_M6	locknut (DIN 985 M6)	

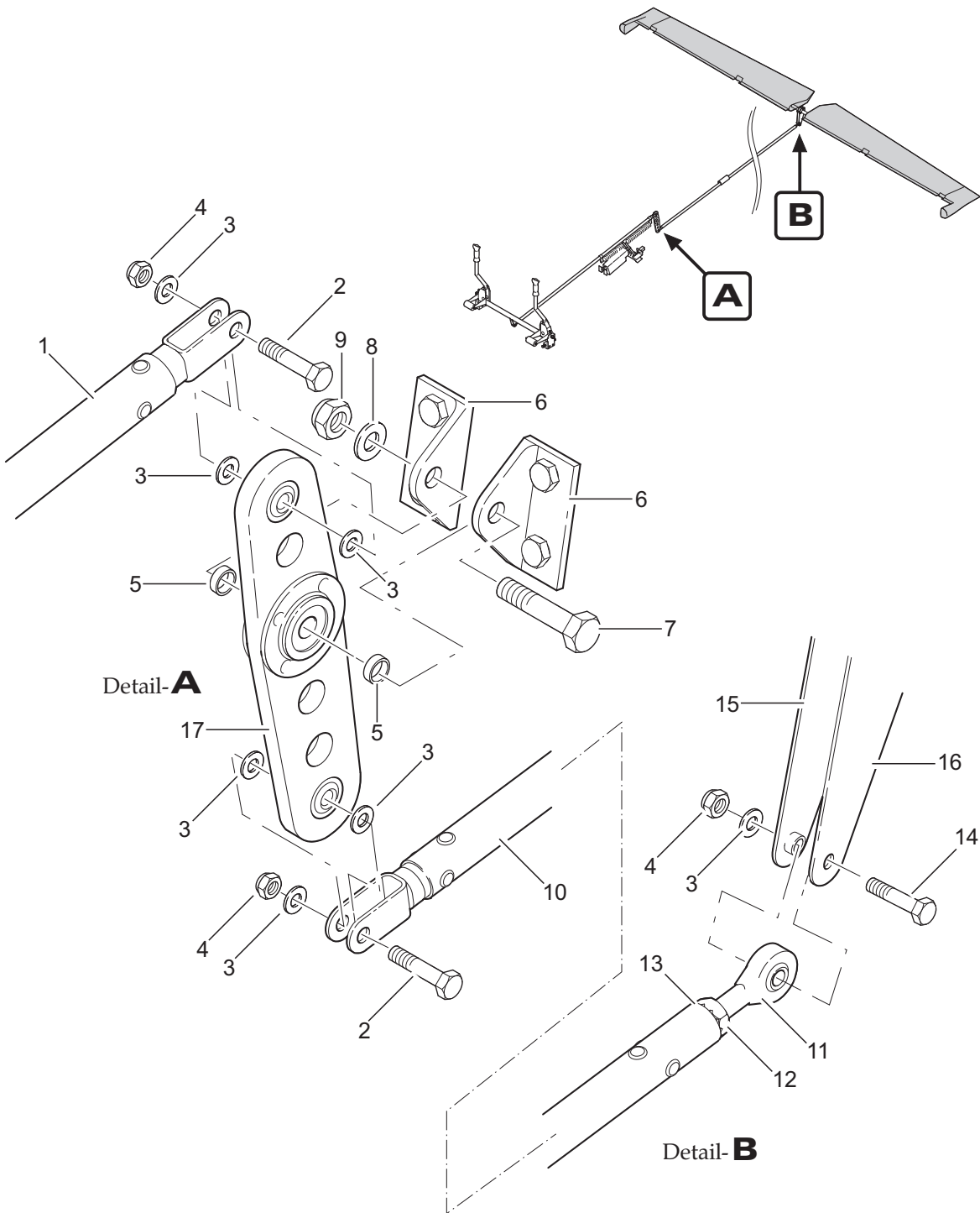
- Item not illustrated

Elevator Control System - Cockpit
Figure 2

27-30-00

Page 5

03.03.14



Elevator Control System - Fuselage
Figure 3

Fig. Item	QTY	Part Number	Nomenclature	Effectivity
3			Elevator Control System - Fuselage	
1	1	AT01-6030-009	pushrod	
2	2	1809037_06022	bolt (LN 9037 M6x22)	
3	7	1800125_6,4	washer (DIN 125 6,4x12)	
4	3	1800985_M6	locknut (DIN 985 M6)	
5	2	AT01-4510-110	spacer sleeve	
6	2	AT01-4510-128	bearing angle	
7	1	1809037_08040	bolt (LN 9037 M8x40)	
8	1	1800125_8,4	washer (DIN 125 8,4x16)	
9	1	1800985_M8	locknut (DIN 985 M8)	
10	1	AT01-6030-007	pushrod	
11	1	AT01-1850-120	swivel head	
12	1	1800936_M8	nut (DIN 936 M8)	
13	1	1806797_8,4	tooth lock washer (DIN 6797 d8,4)	
14	1	1809037_06030	bolt (LN 9037 M6x30)	
15	1	AT01-3130-002	elevator lever RH	
16	1	AT01-3130-001	elevator lever LH	
17	1	AT01-6030-005	bellcrank	

- Item not illustrated

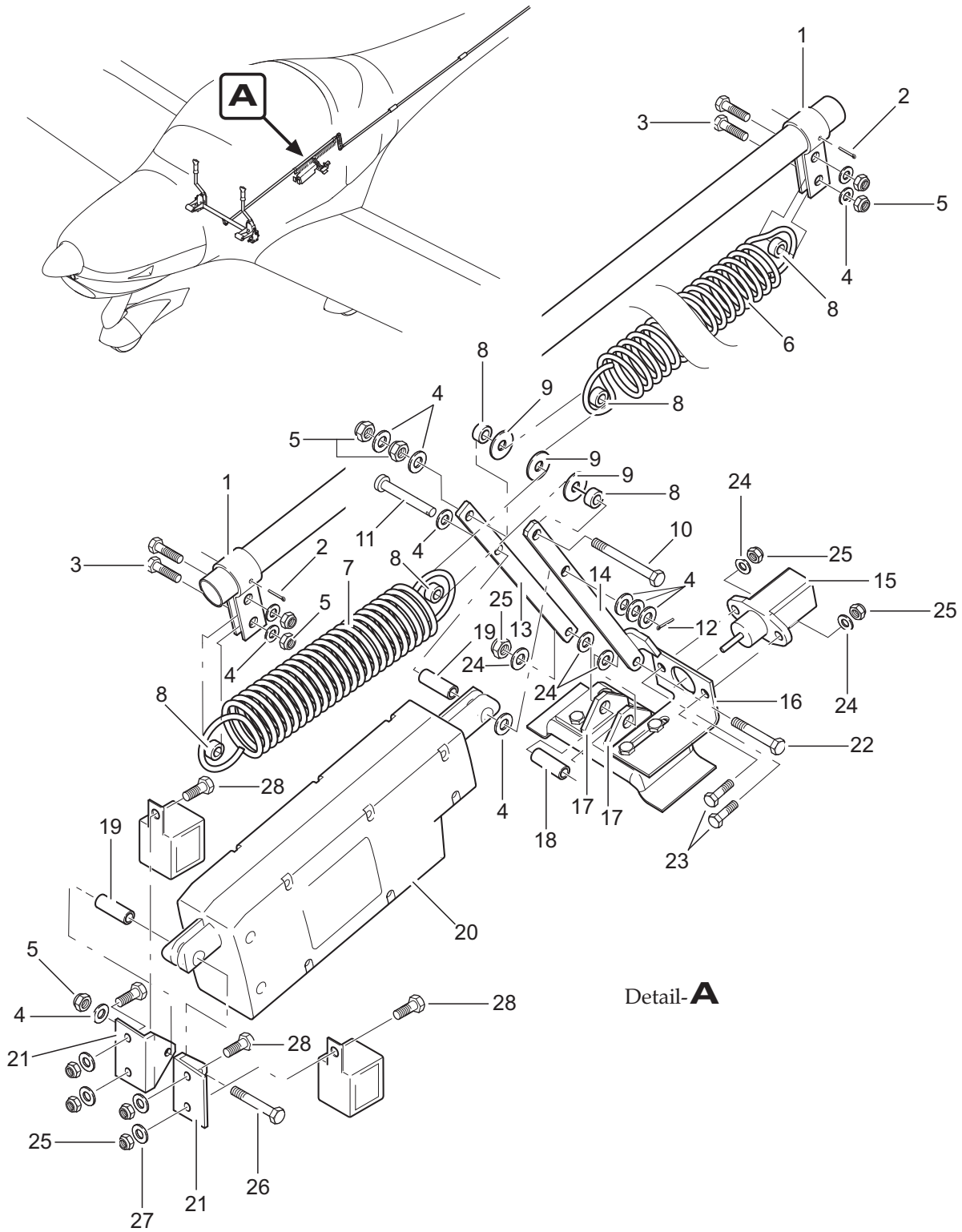
Elevator Control System - Fuselage
Figure 3

27-30-00

Page 7

03.03.14

ELEVATOR TRIM SYSTEM



Elevator Trim System
 Figure 1

Fig. Item	QTY	Part Number	Nomenclature	Effectivity
1			Elevator Trim System	
1	2	AT01-6050-117	clamp	
2	2	1800094_2x40	split pin (DIN 94 2x40)	
3	4	1800933_M6x20	bolt (DIN 933 M6x20)	
4	10	1800125_6,4	washer (DIN 125 6,4x12)	
5	7	1800985_M6	locknut (DIN 985 M6)	
6	1	AT01-6050-110	spring RWD	
7	1	AT01-6050-111	spring FWD	
8	6	AT01-4510-122	ring	
9	3	1809021_6,4	washer (DIN 9021 6,4x18)	
10	1	1800931_M6x50	bolt (DIN 931 M6x50)	
11	1	1801444_6x40	bolt with split pin hole (DIN 1444 6x40)	
12	1	1800094_1,6x16	split pin (DIN 94 1,6x16)	
13	1	AT01-6050-103	lever RH	
14	1	AT01-6050-104	lever LH	
15	1	AT01-6050-131	trim position sensor	
16	1	AT01-6050-127	sensor bracket	
17	2	AT01-6050-106	bearing angle	
18	1	AT01-6050-121	sleeve	
19	2	AT01-6050-122	sleeve	
20	1	AT01-6050-105	trim actuator	
21	2	AT01-6050-107	bearing angle	
22	1	1800931_M5x40	bolt (DIN 931 M5x40)	
23	6	1800933_M5x16	bolt (DIN 933 M5x16)	
24	5	1800125_5,3	washer (DIN 125 5,3x10)	
25	7	1800985_M5	locknut (DIN 985 M5)	
26	1	1800931_M6x45	bolt (DIN 931 M6x45)	
27	4	1809021_5,3	washer (DIN 9021 5,3x15)	
28	4	1800933_M5x20	bolt (DIN 933 M5x20)	

- Item not illustrated

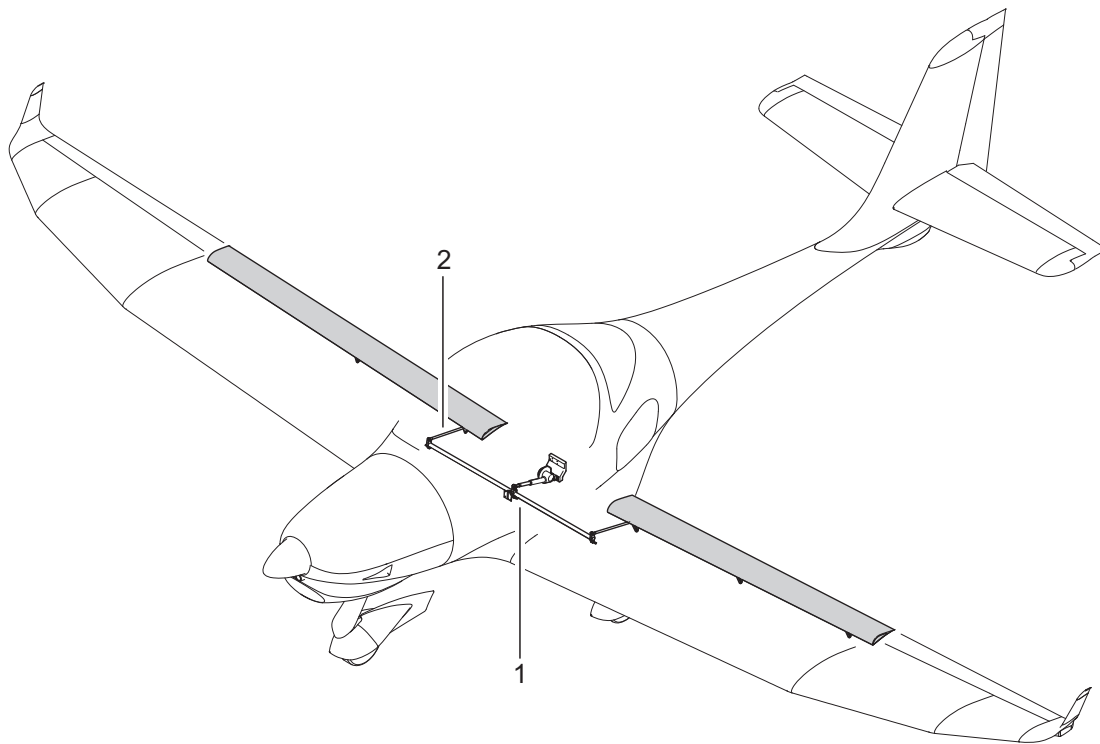
Elevator Trim System
Figure 1

27-31-00

Page 3

03.03.14

FLAPS



Flaps - General
Figure 1

Fig. Item	QTY	Part Number	Nomenclature	Effectivity
1			Flaps - General	
	1		Flap System - Fuselage (refer to 27-50-00, figure 2 for details)	
	2		Flap System - Wings (refer to 27-50-00, figure 3 for details)	

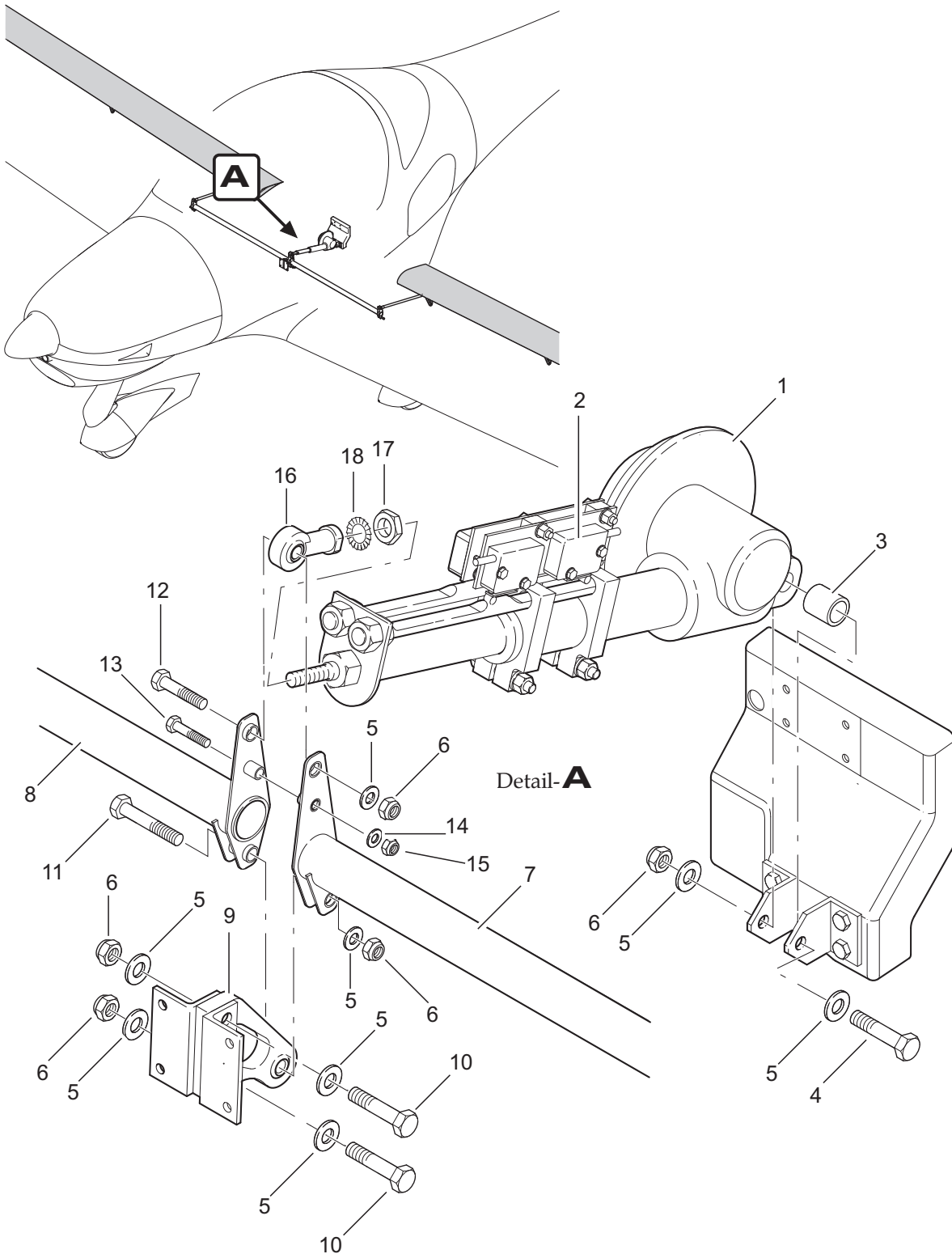
- Item not illustrated

Flaps - General
Figure 1

27-50-00

Page 3

03.03.14



Flap System - Fuselage
Figure 2

Fig. Item	QTY	Part Number	Nomenclature	Effectivity
2			Flap System - Fuselage	
1	1	AT01-6020-006	flap control actuator assembly	
2	4	AT01-6020-113	position micro switch	
3	1	AT01-6020-100	sleeve	
4	1	1809037_08048	bolt (LN 9037 M8x48)	
5	8	1800125_8,4	washer (DIN 125 8,4x16)	
6	5	1800985_M8	locknut (DIN 985 M8)	
7	1	AT01-6020-002	flap rotary shaft LH	
8	1	AT01-6020-003	flap rotary shaft RH	
9	1	AT01-6020-104	bearing angle	
10	2	1809037_08032	bolt (LN 9037 M8x32)	
11	1	1809037_08060	bolt (LN 9037 M8x60)	
12	1	1809037_08035	bolt (LN 9037 M8x35)	
13	1	1809037_06035	bolt (LN 9037 M6x35)	
14	1	1800125_6,4	washer (DIN 125 6,4x12)	
15	1	1800985_M6	locknut (DIN 985 M6)	
16	1	AT01-1850-124	swivel head	
17	1	1800936_M8	nut (DIN 936 M8)	
18	1	1806797_8,4	tooth lock washer (DIN 6797 d8,4)	

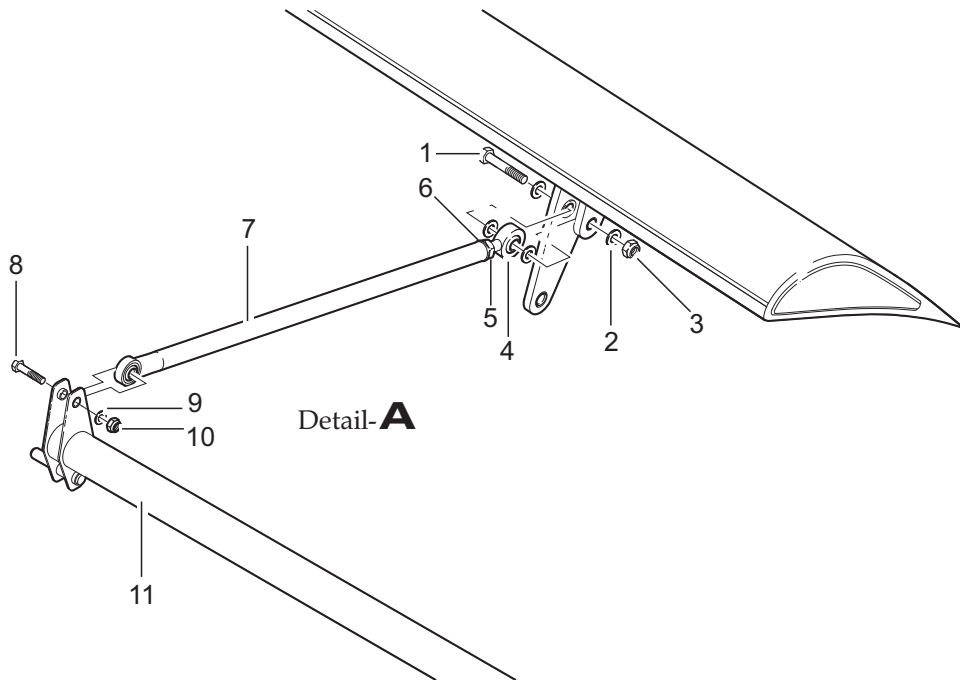
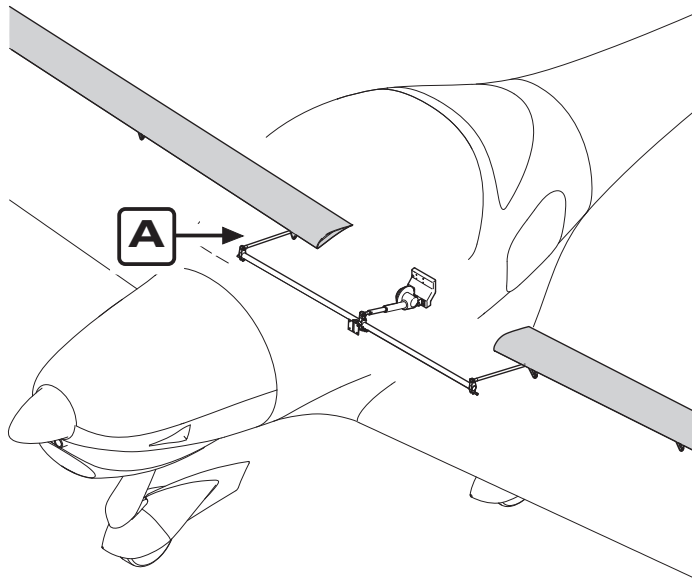
- Item not illustrated

Flap System - Fuselage
Figure 2

27-50-00

Page 5

03.03.14



Flap System - Wings
Figure 3

Fig. Item	QTY	Part Number	Nomenclature	Effectivity
3			Flap System - Wings	
1	2	1809037_08045	bolt (LN 9037 M8x45)	
2	8	1800125_8,4	washer (DIN 125 8,4x16)	
3	2	1800985_M8	locknut (DIN 985 M8)	
4	2	AT01-1850-123	swivel head	
5	2	1800936_M8	nut (DIN 936 M8)	
6	2	1806797_8,4	tooth lock washer (DIN 6797 d8,4)	
7	2	AT01-6020-010	pushrod	
8	2	1809037_06028	bolt (LN 9037 M6x28)	
9	2	1800125_6,4	washer (DIN 125 6,4x12)	
10	2	1800985_M6	locknut (DIN 985 M6)	
11	1	AT01-6020-003	flap rotary shaft RH	
-12	1	AT01-6020-002	flap rotary shaft LH	

- Item not illustrated

Flap System - Wings
Figure 3

27-50-00

Page 7

03.03.14



AQUILA AT01-100/200
ILLUSTRATED PARTS CATALOG

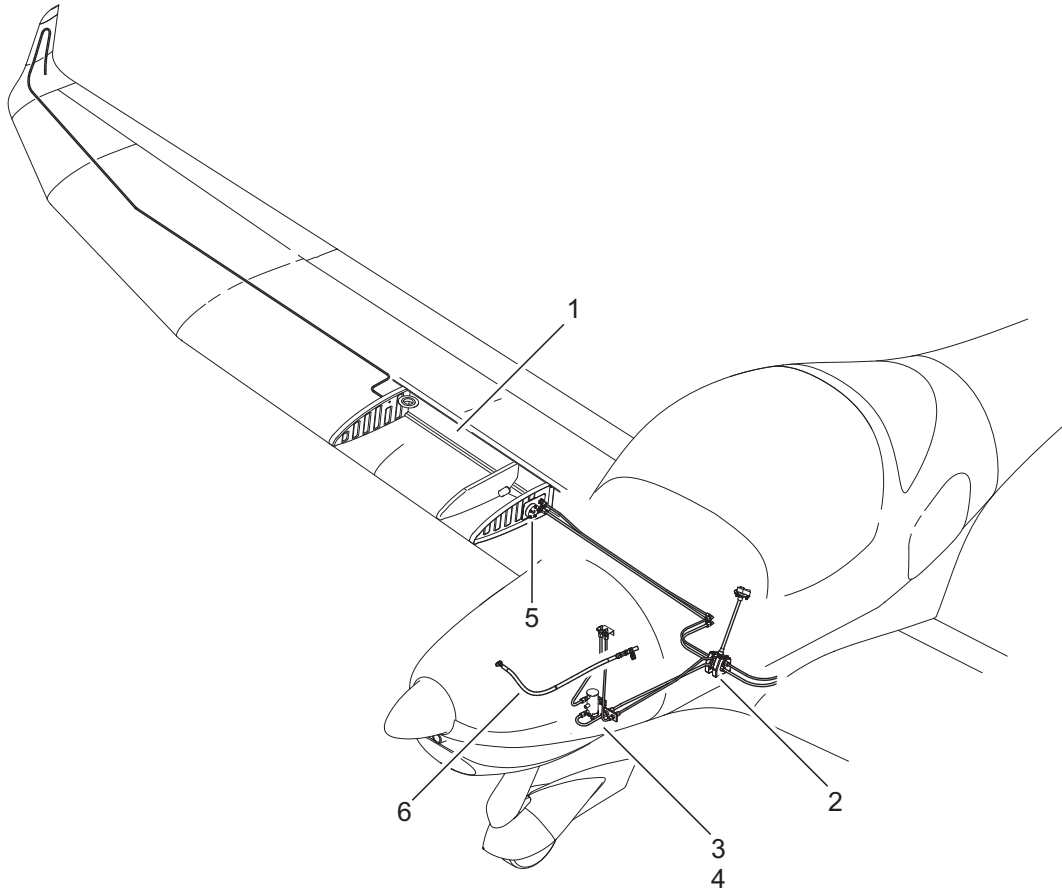
CHAPTER 28

FUEL

TABLE OF CONTENTS

<u>Title</u> <u>Subject</u>	<u>Chapter</u> <u>Section</u> <u>Subject</u>	<u>Page</u>	<u>Effectivity</u>
FUEL - GENERAL	28-00-00	1	
Fuel - General	28-00-00	2	
Fuel System - Wings	28-00-00	4	
Fuel Selector / Shut-Off Valve Installation	28-00-00	6	
Fuel System - Engine Compartment	28-00-00	8A	Rotax 912S
Fuel System - Engine Compartment	28-00-00	8B	Rotax 914F
Electrical Fuel Pump Installation	28-00-00	10A	Rotax 912S
Electrical Fuel Pump Installation	28-00-00	10B	Rotax 914F
 FUEL - INDICATING	 28-40-00	 1	
Fuel Quantity Indication	28-40-00	2	
Fuel Pressure Indication	28-40-00	4A	AT01-100A/B
Fuel Pressure Indication	28-40-00	4B	AT01-100C
Fuel Pressure Indication	28-40-00	4C	AT01-200C

FUEL
GENERAL



NOTE: Only RH side of system is shown for clarity !

Fig. Item	QTY	Part Number	Nomenclature	Effectivity
1			Fuel - General	
	1		Fuel System - Wings (refer to 28-00-00, figure 2 for details)	
	2		Fuel Selector / Shut-Off Valve Installation (refer to 28-00-00, figure 3 for details)	
	3		Fuel System - Engine Compartment (refer to 28-00-00, figure 4A for details)	Rotax 912S
	-3		Fuel System - Engine Compartment (refer to 28-00-00, figure 4B for details)	Rotax 914F
	4		Electrical Fuel Pump Installation (refer to 28-00-00, figure 5A for details)	Rotax 912S
	-4		Electrical Fuel Pump Installation (refer to 28-00-00, figure 5B for details)	Rotax 914F
	5		Fuel Quantity Indication (refer to 28-40-00, figure 1 for details)	
	-6		Fuel Pressure Indication (refer to 28-40-00, figure 2A for details)	AT01-100A/B
	6		Fuel Pressure Indication (refer to 28-40-00, figure 2B for details)	AT01-100C
	-6		Fuel Pressure Indication (refer to 28-40-00, figure 2C for details)	AT01-200C

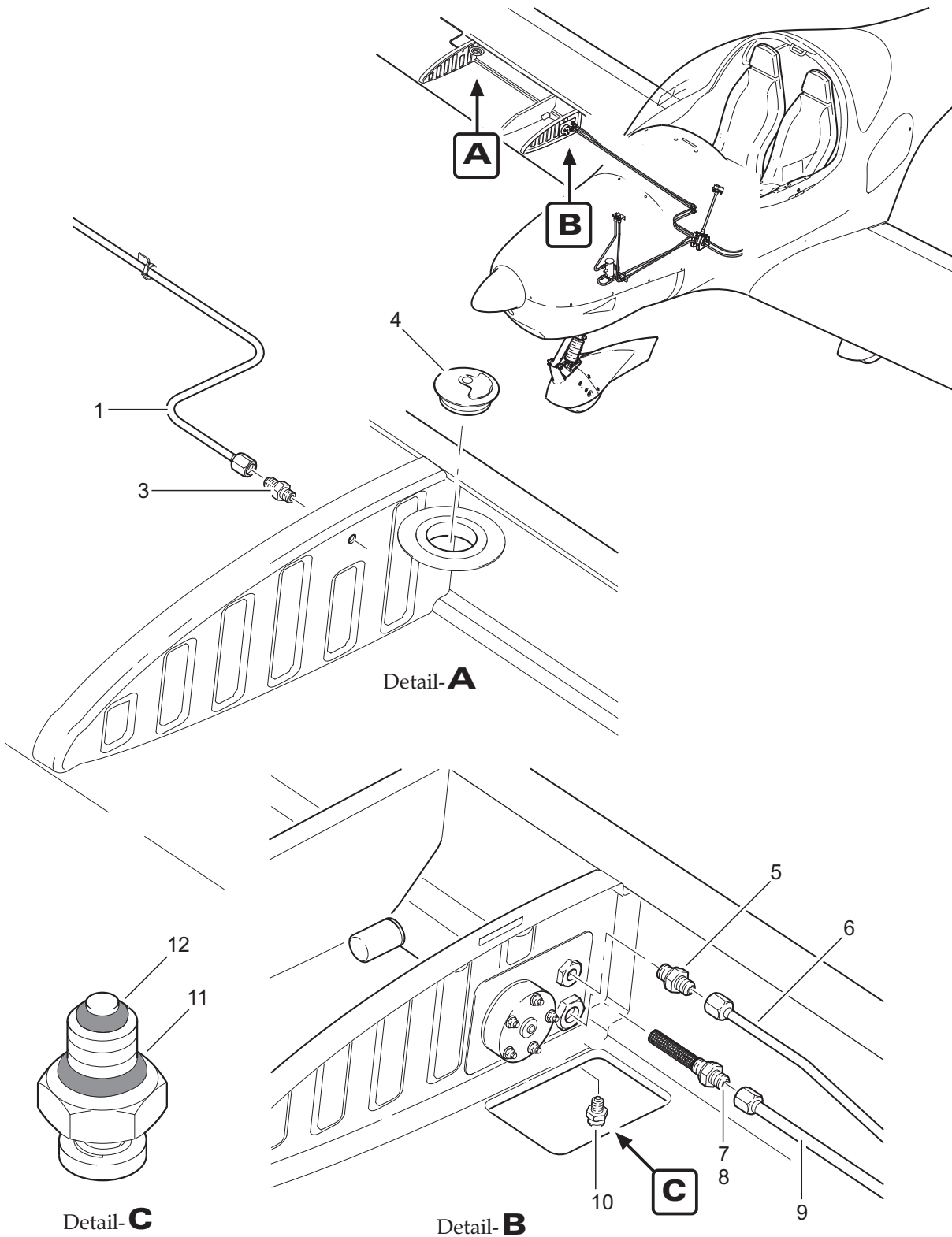
- Item not illustrated

Fuel - General
Figure 1

28-00-00

Page 3

04.02.21

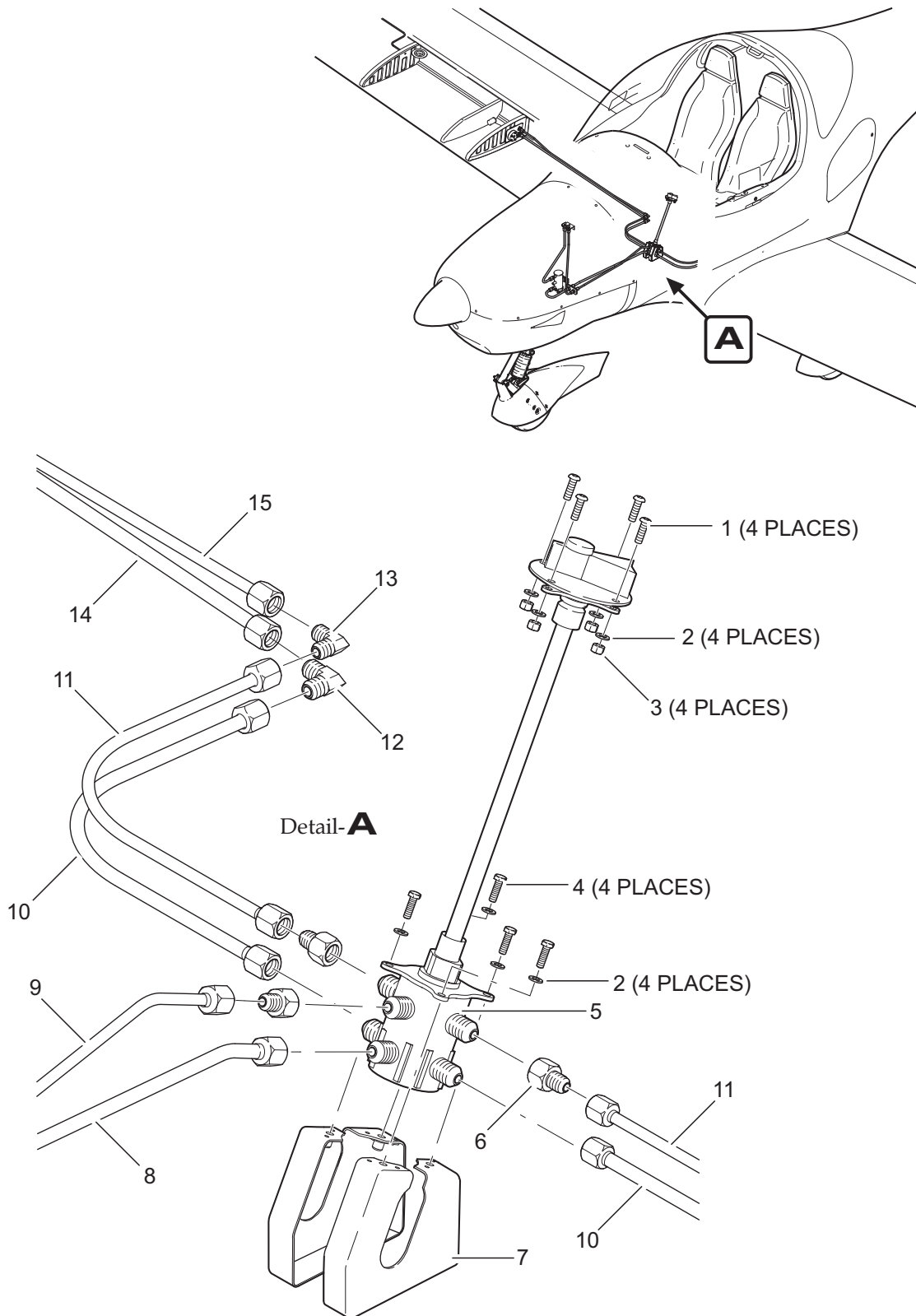


Fuel System - Wings
Figure 2

Fig. Item	QTY	Part Number	Nomenclature	Effectivity
2			Fuel System - Wings	
1	1	AT01-8030-003	fuel tank ventilation line RH	
-2	1	AT01-8030-004	fuel tank ventilation line LH	
3	1	AT01-4520-216	fitting 1/8" BSPP	
4	1	AT01-4010-106	fuel filler cap	
5	1	AT01-4520-211	fitting 1/4" BSPP	Rotax 912S ²⁾
		AT01-4520-368	fitting 1/4" BSPP	Rotax 914F ²⁾
6	1	AT01-8020-003	fuel return line wing	Rotax 912S ²⁾
		AT01-8020-022	fuel return line wing	Rotax 914F ²⁾
7	1	AT01-8010-003	finger strainer	300-326
		AT01-8010-119	finger strainer NPT (requires item 8)	327-999
8	1	AT01-4520-325	fitting 1/4" NPT (required only for finger strainer NPT)	327-999
9	1	AT01-8010-004	fuel supply line wing	300-326
		AT01-8010-023	fuel supply line wing	327-999
10	1	AT01-8010-012 STND	drain valve (standard version ¹⁾ / including gaskets)	
		AT01-8010-012 LONG	drain valve (optional long version ¹⁾ / including gaskets)	
11	1	AT01-8010-116	gasket (included in drain valve)	
12	1	AT01-8010-115	gasket (included in drain valve)	

¹⁾ Refer to SI-AT01-018 (annex 8) for further information.

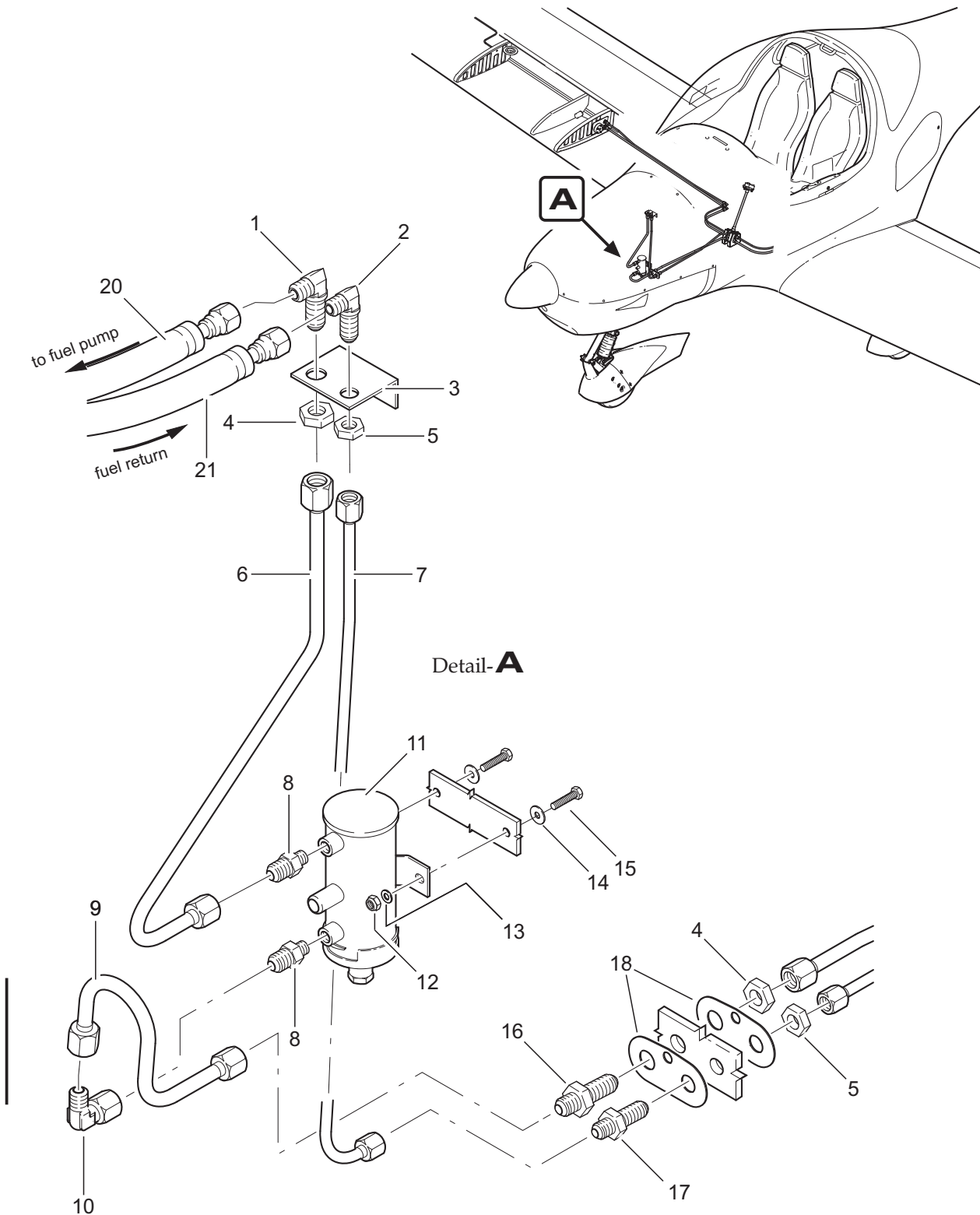
²⁾ S/N 367,370,371,374,379: Refer to SB-AT01-036 for further information.



Fuel Selector / Shut-Off Valve Installation
Figure 3

Fig. Item	QTY	Part Number	Nomenclature	Effectivity
3			Fuel Selector / Shut-Off Valve Installation	
1	4	1807380_M5x16	bolt (ISO 7380 M5x16)	
2	8	1800125_5,3	washer (ISO 7089 5,3x10)	
3	4	1800985_M5	locknut (ISO 10511 M5)	
4	4	1800933_M5x12	bolt (ISO 4017 M5x12 8.8)	
5	1	AT01-8010-101	fuel selector valve	
6	3	AT01-4520-240	reducer (size 6 to size 5)	Rotax 912S ¹⁾
7	1	AT01-2120-009	mounting bracket (for fuel selector valve)	
8	1	AT01-8010-009	fuel supply line front	Rotax 912S
		AT01-8010-013	fuel supply line selector / pumps	Rotax 914F
9	1	AT01-8020-005	fuel return line front	Rotax 912S ¹⁾
		AT01-8020-024	fuel return line front	Rotax 914F ¹⁾
10	2	AT01-8010-005	fuel supply line center	
11	2	AT01-8020-004	fuel return line center	Rotax 912S ¹⁾
		AT01-8020-023	fuel return line center	Rotax 914F ¹⁾
12	1	AT01-4520-153	elbow fitting (size 6)	
13	1	AT01-4520-154	elbow fitting (size 5)	Rotax 912S ¹⁾
		AT01-4520-153	elbow fitting (size 6)	Rotax 914F ¹⁾
14	1	AT01-8010-004	fuel supply line wing	300 - 326
		AT01-8010-023	fuel supply line wing	327 - 999
15	1	AT01-8020-003	fuel return line wing	Rotax 912S ¹⁾
		AT01-8020-022	fuel return line wing	Rotax 914F ¹⁾
-16	2	AT01-8010-124	universal joint (for fuel selector valve / optional)	

¹⁾S/N 367,370,371,374,379: Refer to SB-AT01-036 for further information.



EFFECTIVITY

Aircraft equipped
 with Rotax 912S

Fuel System - Engine Compartment
 Figure 4A

28-00-00

Fig. Item	QTY	Part Number	Nomenclature	Effectivity
4A			Fuel System - Engine Compartment	Rotax 912S
1	1	AT01-4520-221	elbow fitting (size 6)	
2	1	AT01-4520-220	elbow fitting (size 5)	
3	1	AT01-8000-101	support bracket	
4	2	AT01-4520-229	nut (included in item 1 / 16)	
5	2	AT01-4520-227	nut (included in item 2 / 17)	
6	1	AT01-8010-008	fuel supply line fuel pump top	
7	1	AT01-8020-006	fuel return line firewall	
8	2	AT01-4520-236	fitting 1/8" NPTF (size 6)	
9	1	AT01-8010-007	fuel supply line fuel pump bottom	
10	1	AT01-4520-161	elbow fitting (size 6)	
11	1	AT01-8010-011	electrical fuel pump assy (refer to figure 5A)	
12	2	1800985_M6	locknut (ISO 10511 M6)	
13	2	1800125_6,4	washer (ISO 7089 6,4x12)	
14	2	1809021_6,4	washer (DIN 9021 6,4x18)	
15	2	1800933_M6x30	bolt (ISO 4017 M6x30 8.8)	
16	1	AT01-4520-224	bulkhead fitting (size 6)	
17	1	AT01-4520-223	bulkhead fitting (size 5)	
18	2	AT01-2120-155	shim	
19	-	-	-	
20	1	AT01-7080-396	fuel supply hose (part of fuel pump assy AT01-7080-396)	
21	1	AT01-8020-007	fuel return hose	
- 22	1	AT01-7080-396	mechanical fuel pump assy ROTAX	

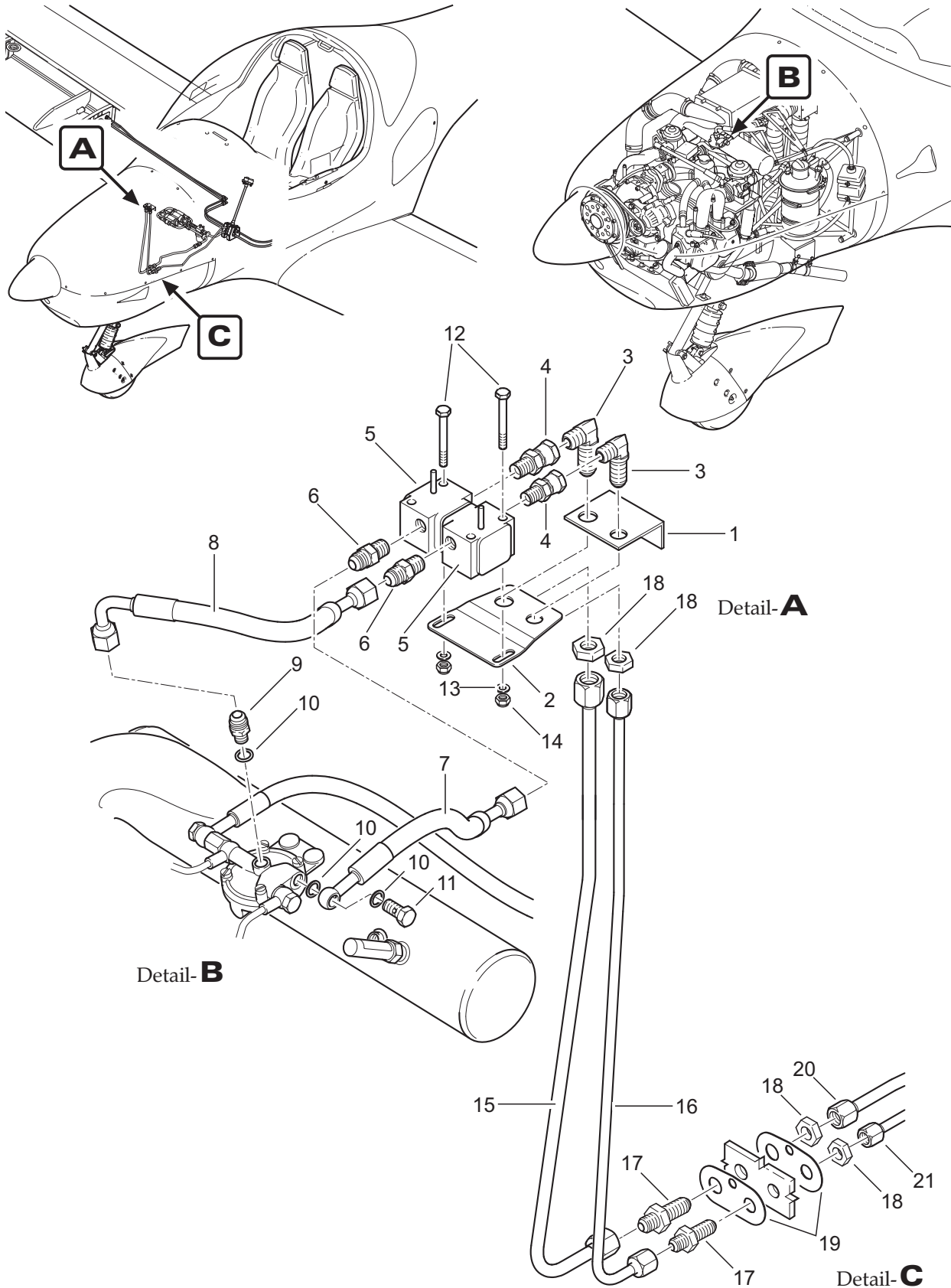
- Item not illustrated

Fuel System - Engine Compartment
Figure 4A

28-00-00

Page 9A |

04.02.21



EFFECTIVITY

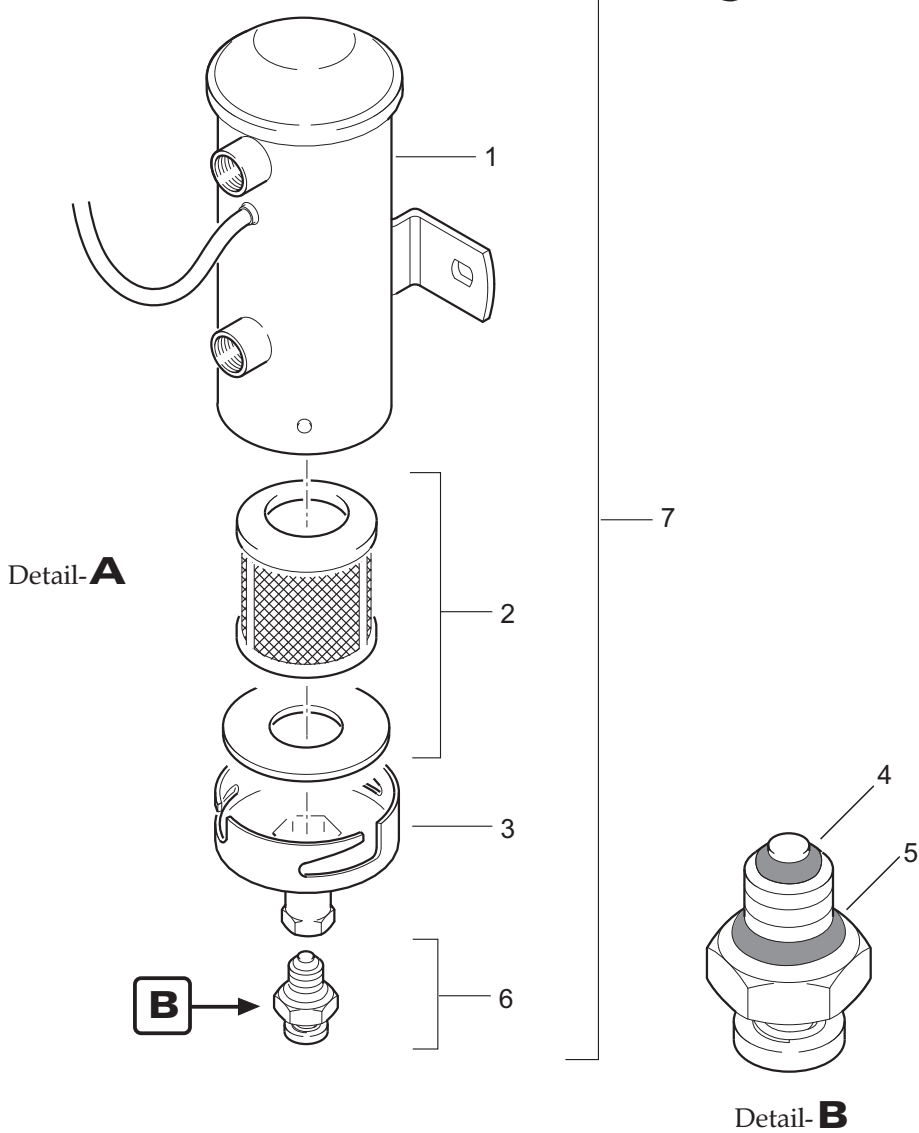
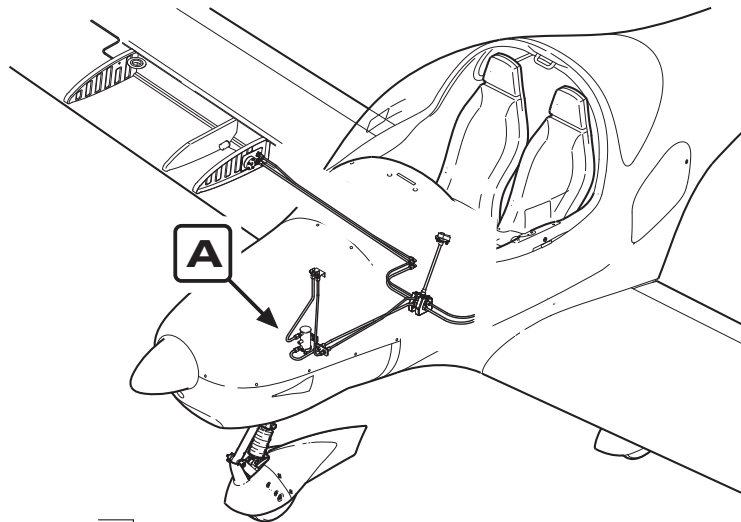
Aircraft equipped with Rotax 914F

Fuel System - Engine Compartment
Figure 4B

28-00-00

Fig. Item	QTY	Part Number	Nomenclature	Effectivity
4B			Fuel System - Engine Compartment	Rotax 914F
1	1	AT01-8000-106	mounting bracket	¹⁾
2	1	AT01-8000-107	mounting bracket	¹⁾
3	2	AT01-4520-221	elbow fitting (size 6)	¹⁾
4	2	AT01-4520-323	adapter (size 6 - 1/4"NPT)	¹⁾
5	2	AT01-8040-102	fuel flow transducer	
6	2	AT01-4520-325	adapter (size 6 - 1/4"NPT)	
7	1	AT01-8010-017	fuel supply hose	
8	1	AT01-8020-010	fuel return hose	
9	1	AT01-7080-159	adapter (size 6 - M10x1)	
10	3	AT01-7080-160	sealing washer	
11	1	AT01-7080-157	banjo bolt	
12	2	1800931_M6x50	bolt (ISO 4014 M6x50 8.8)	
13	2	1800125_6,4	washer (ISO 7089 6,4x12)	
14	2	1800985_M6	locknut (ISO 10511 M6)	
15	1	AT01-8010-015	fuel supply line firewall	
16	1	AT01-8020-025	fuel return line firewall	¹⁾
17	2	AT01-4520-224	bulkhead fitting (size 6)	¹⁾
18	4	AT01-4520-229	nut (included in item 3 / 17)	¹⁾
19	2	AT01-2120-156	shim	¹⁾
20	1	AT01-8010-014	fuel supply line pumps / firewall 2	
21	1	AT01-8020-024	fuel return line front	¹⁾

¹⁾S/N 367,370,371,374,379: Refer to SB-AT01-036 for further information.



EFFECTIVITY

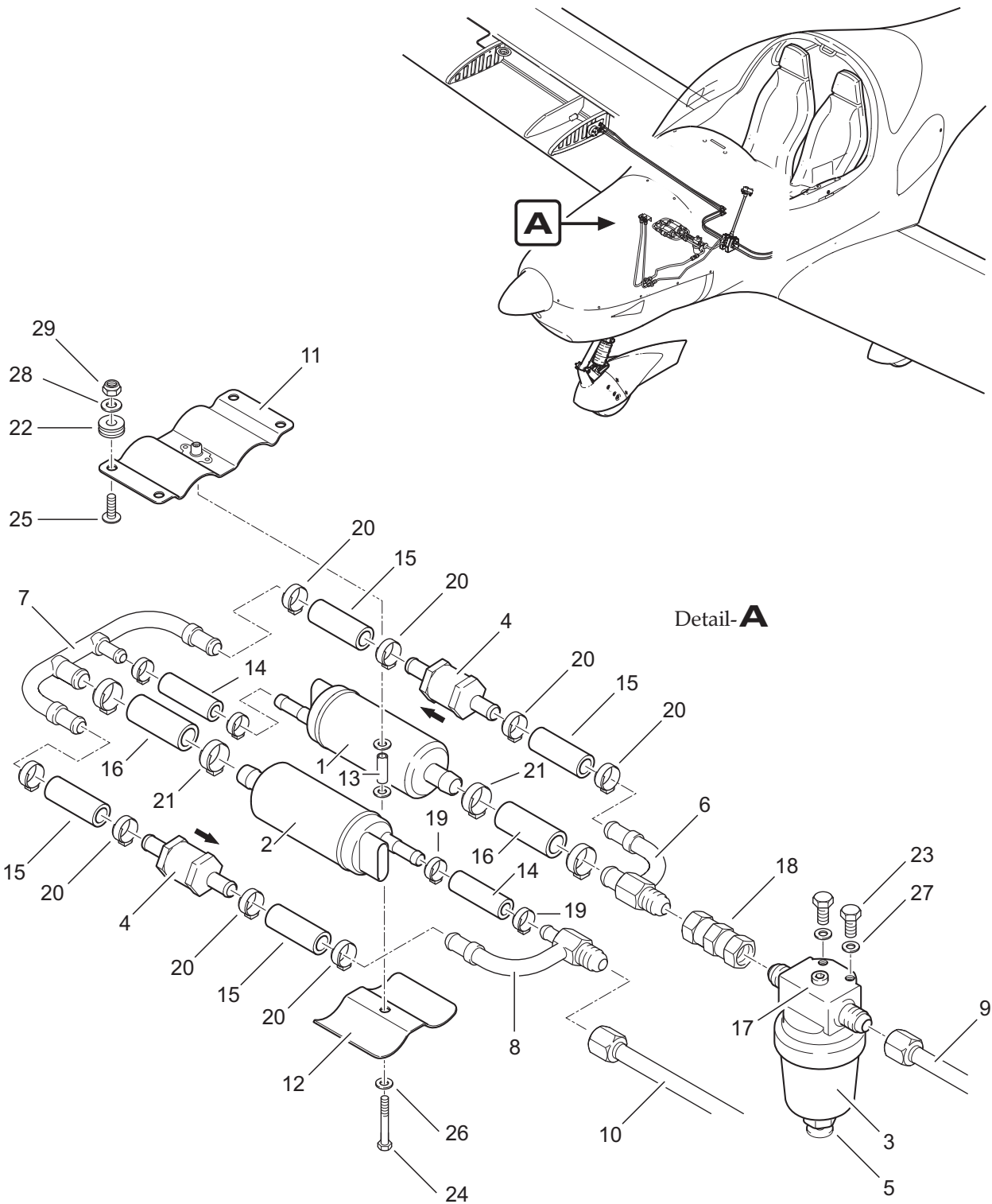
Aircraft equipped
with Rotax 912S

Electrical Fuel Pump Installation
Figure 5A

28-00-00

Fig. Item	QTY	Part Number	Nomenclature	Effectivity
5A			Electrical Fuel Pump Installation	Rotax 912S
1	1	AT01-8010-098	electrical fuel pump (w/o cap, with e-connector)	
2	1	AT01-8010-114	filter and gasket	
3	1	AT01-8010-010	electrical fuel pump cap	
4	1	AT01-8010-115	gasket (included in drain valve)	
5	1	AT01-8010-116	gasket (included in drain valve)	
6	1	AT01-8010-012 STND	drain valve (standard version ¹⁾ / including gaskets)	
		AT01-8010-012 LONG	drain valve (optional long version ¹⁾ / including gaskets)	
7	1	AT01-8010-011	electrical fuel pump assy	

¹⁾Refer to SI-AT01-018 (annex 8) for further information.



Detail-**A**

EFFECTIVITY

Aircraft equipped
with Rotax 914F

Electrical Fuel Pump Installation
Figure 5B

28-00-00

Fig. Item	QTY	Part Number	Nomenclature	Effectivity
5B			Electrical Fuel Pump Installation	Rotax 914F
1	1	AT01-8010-128	MAIN fuel pump	
2	1	AT01-8010-129	AUX fuel pump	
3	1	AT01-8010-145	gascolator	
	1	AT01-8010-152	O-ring (included in AT01-8010-145)	
	1	AT01-8010-153	fuel filter (included in AT01-8010-145)	
4	2	AT01-8010-126	check valve	
5	1	AT01-8010-147	drain valve CAV-110	
6	1	AT01-8010-030	fuel line 1	
7	1	AT01-8010-031	fuel line 2	
8	1	AT01-8010-032	fuel line 3	
9	1	AT01-8010-013	fuel supply line selector / pumps	
10	1	AT01-8010-022	fuel supply line pumps / firewall 1	
11	1	AT01-8010-143	upper fuel pump mounting bracket	
	1	18029679M5	rivet nut (LN 29679 M5 / included in AT01-8010-143)	
	2	1807337_2,4x6 Al/St	rivet (ISO 15984 2,4x6 Al/St / included in AT01-8010-143)	
12	1	AT01-8010-144	lower fuel pump mounting bracket	
13	1	AT01-8010-154	spacer sleeve	
14	2	AT01-4520-400	fuel hose (DIN 73379 7,3x3 type 3E / 50 mm)	
15	4	AT01-4520-401	fuel hose (DIN 73379 9,3x3 type 3E / 50 mm)	
16	2	AT01-4520-402	fuel hose (DIN 73379 11,3x3,3 type 3E / 50 mm)	
17	1	AT01-8010-146	plug 1/8" NPT	
18	1	AT01-4520-176	straight connector 9/16" UNF (female)	
19	4	4520_1OHR_D15,5	hose clamp (12,8 - 14,8 mm / for hose AT01-4520-400)	
20	8	4520_1OHR_D17,5	hose clamp (14,6 - 16,8 mm / for hose AT01-4520-401)	
21	4	4520_1OHR_D21,0	hose clamp (18,0 - 20,3 mm / for hose AT01-4520-402)	
22	4	AT01-4520-331	grommet (AN931-4-7)	
23	2	122630	bolt (1/4" UNF x 1/2")	
24	1	1800931_M5x35	bolt (ISO 4014 M5x35 8.8)	
25	4	1807380_5x16 ULF	bolt (ISO 7380 M5x16)	
26	3	1800125_5,3	washer (ISO 7089 5,3x10)	
27	2	1800125_6,4	washer (ISO 7089 6,4x12)	
28	4	1809021_5,3	washer (ISO 7093 5,3x15)	
29	4	1800985_M5	locknut (ISO 10511 M5)	
<u>Fuel Pump Compartment:</u>				
-30	1	AT01-2110-018	compartment cover (211 LT)	
	6	1807380_4x14 ULS	bolt (ISO 7380 M4x14 / attachment of AT01-2110-018)	
	6	1809021_4,3	washer (ISO 7093 4,3x12 / attachment of AT01-2110-018)	
-31	1	AT01-2110-020	lower compartment access plate (210 BB)	
	4	1807380_5x16 ULF	bolt (ISO 7380 M5x16 / attachment of AT01-2110-020)	

- Item not illustrated

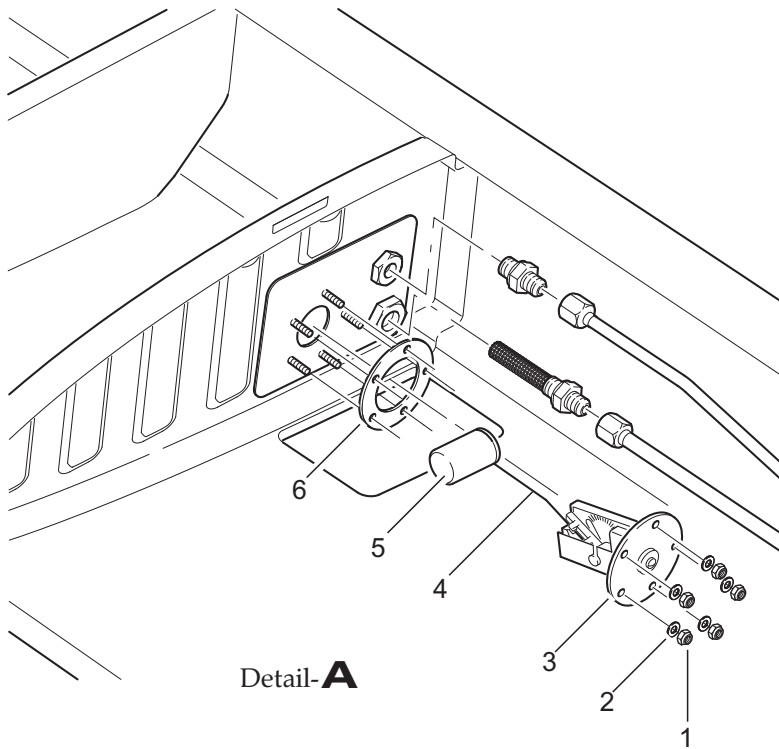
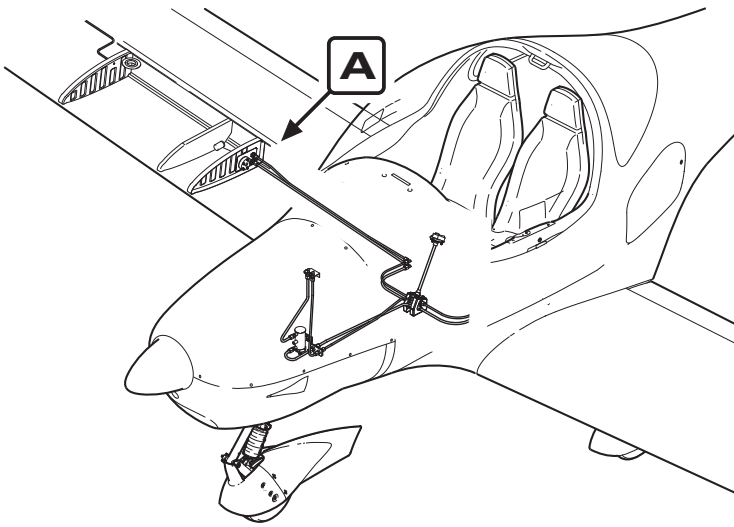
Electrical Fuel Pump Installation
Figure 5B

28-00-00

Page 11B

04.02.21

FUEL
INDICATING



Detail-A

Fuel Quantity Indication
Figure 1

Fig. Item	QTY	Part Number	Nomenclature	Effectivity
1			Fuel Quantity Indication	
1	5	1800985_M5	locknut (ISO 10511 M5)	
2	5	1800125_5,3	washer (ISO 7089 5,3x10)	
3	1	AT01-8030-174	fuel level sender RH	
4	1	AT01-8030-178	lever / shepherds crook (for use without calibration module ¹⁾)	300 - 326
		AT01-8030-186	lever / shepherds crook (for use with calibration module ¹⁾)	300 - 326
		AT01-8030-187	lever / shepherds crook	327 - 999
5	1	AT01-8030-179	float	
6	1	AT01-8030-111	gasket	
-7	1	AT01-8030-173	fuel level sender LH	

¹⁾The calibration module is installed on the back of the fuel gauge. Refer to 77-00-00 and SI-AT01-018 (annex 12) for further information. (If a MVP-50 / G3X is installed, no calibration module is needed.)

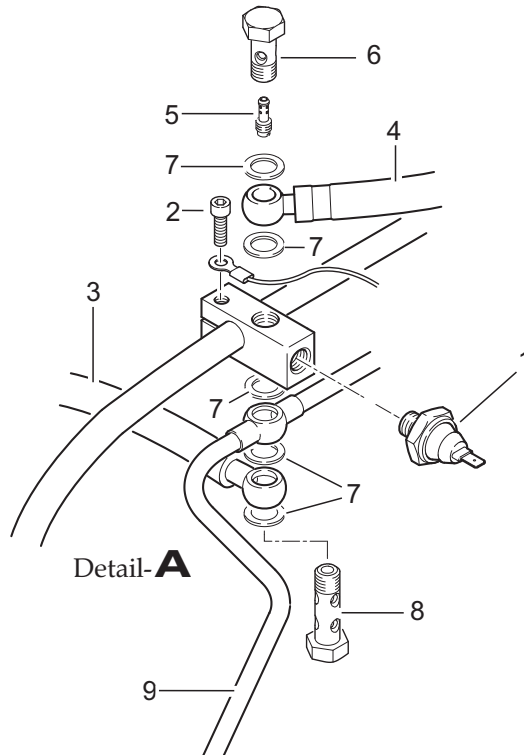
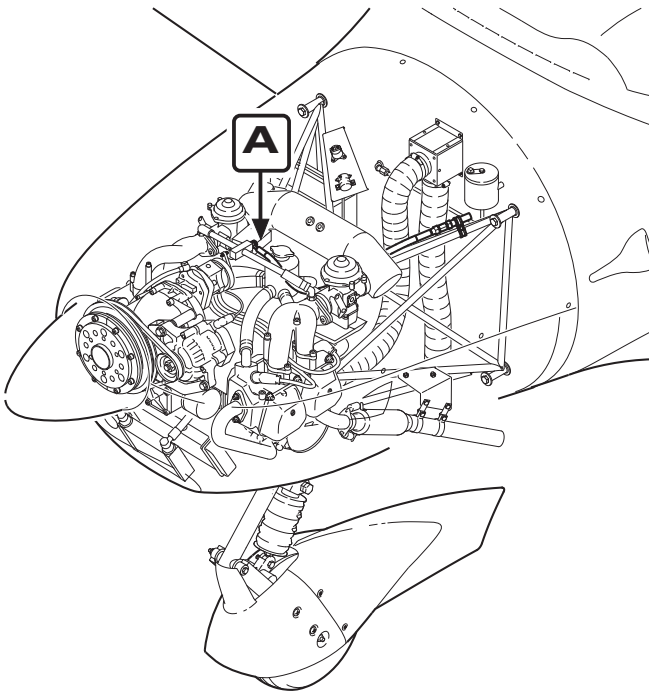


Fig. Item	QTY	Part Number	Nomenclature	Effectivity
2A			Fuel Pressure Indication	AT01-100A/B
1	1	AT01-7030-200	fuel pressure sensor	.
2	1	1800912_M5x16	bolt (ISO 4762 M5x16 8.8)	
3	1	AT01-7080-396	fuel supply hose (part of fuel pump assy AT01-7080-396)	
4	1	AT01-8020-007	fuel return hose	
5	1	AT01-7050-108	restricting orifice (0,25mm)	
		AT01-8020-104	restricting orifice (0,20mm / optional / refer to SI-AT01-018 annex 11)	
6	1	Ro 941785	banjo bolt	
7	5	Ro 950143	gasket	
8	1	Ro 940872	banjo bolt	
9	1	Ro 874911	fuel hose	

- Item not illustrated

Fuel Pressure Indication
Figure 2A

28-40-00

Page 5A

04.02.21

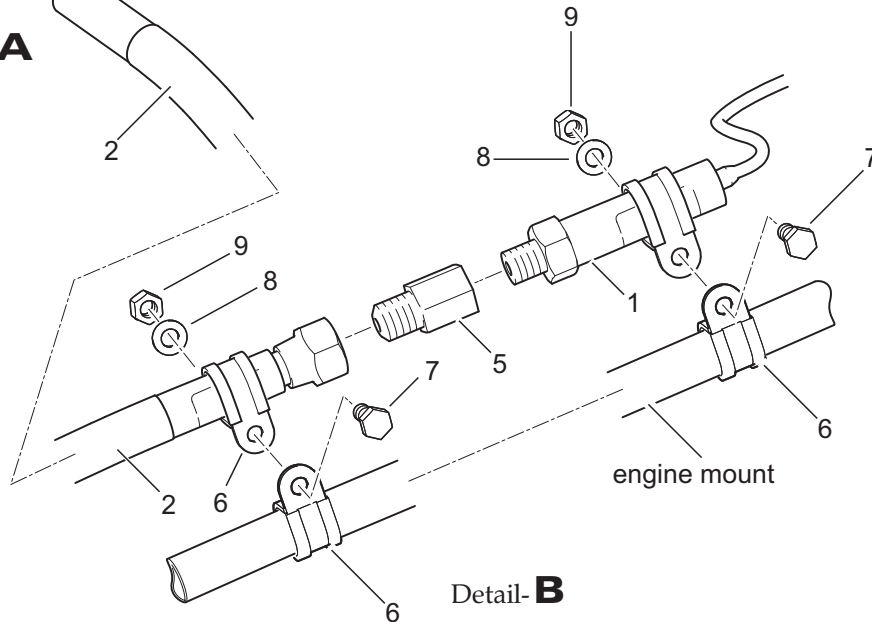
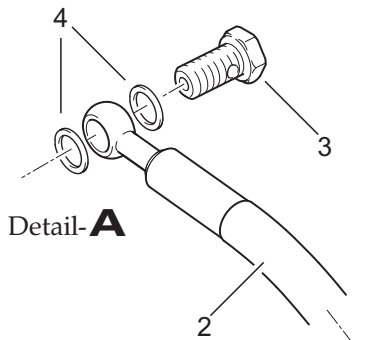
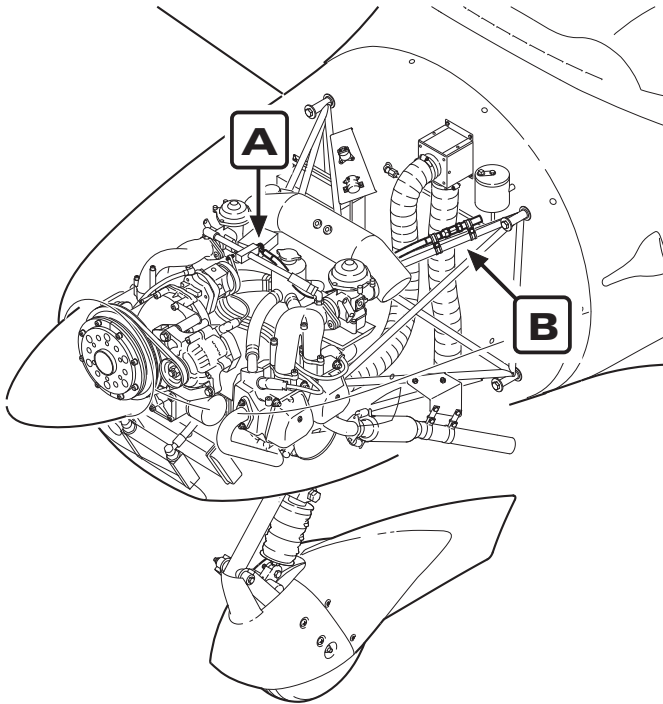


Fig. Item	QTY	Part Number	Nomenclature	Effectivity
2B			Fuel Pressure Indication	AT01-100C
1	1	AT01-2840-208	fuel pressure transducer PT-30GA	
2	1	AT01-7030-004	fuel hose fuel manifold / pressure transducer	
3	1	AT01-7030-209	restricting orifice	
4	2	1807603A_10x13,5x1_Al	sealing washer (aluminium / DIN 7603 A 10x13,5x1)	
5	1	AT01-4520-311	fitting 7/16" UNF - 1/8" NPT	
6	3	AT01-4520-499	pipe clamp	
7	2	1800933_M5x14	bolt (ISO 4017 M5x14 8.8)	
8	2	1800125_5,3	washer (ISO 7089 5,3x10)	
9	2	1800985_M5	locknut (ISO 10511 M5)	

- Item not illustrated

Fuel Pressure Indication
Figure 2B

28-40-00

Page 5B

04.02.21

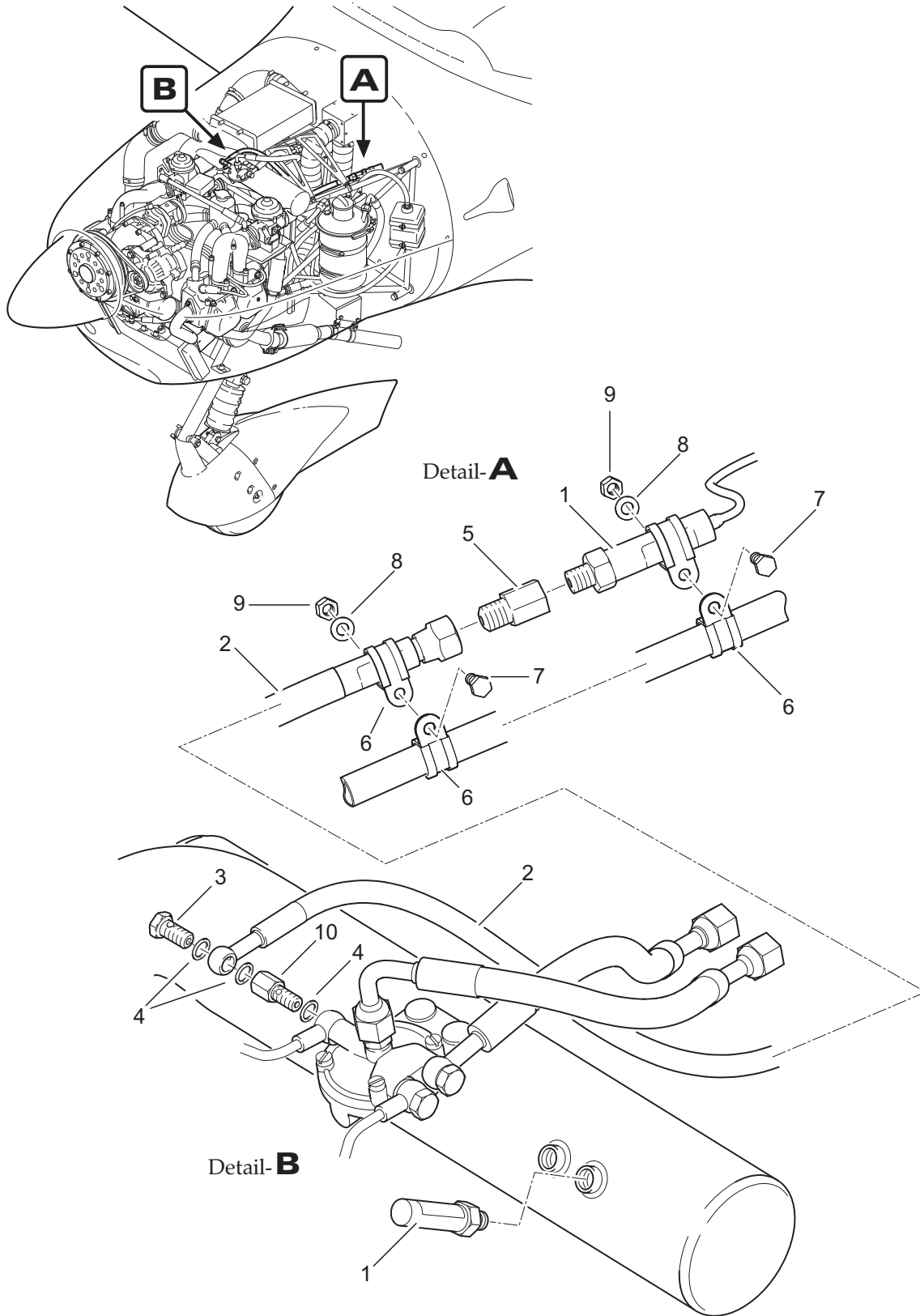


Fig. Item	QTY	Part Number	Nomenclature	Effectivity
2C			Fuel Pressure Indication	AT01-200C
1	2	AT01-2840-208	fuel pressure transducer PT-30GA	
2	1	AT01-7030-007	fuel hose pressure transducer	
3	1	AT01-7030-209	restricting orifice	
4	3	AT01-7080-160	sealing washer	
5	1	AT01-4520-311	fitting 7/16" UNF - 1/8" NPT	
6	3	AT01-4520-499	pipe clamp	
7	2	1800933_M5x14	bolt (ISO 4017 M5x14 8.8)	
8	2	1800125_5,3	washer (ISO 7089 5,3x10)	
9	2	1800985_M5	locknut (ISO 10511 M5)	
10	1	AT01-7030-211	adapter	

- Item not illustrated

Fuel Pressure Indication
Figure 2C

28-40-00

Page 5C

04.02.21



AQUILA AT01-100
ILLUSTRATED PARTS CATALOG

CHAPTER 31
INDICATING / RECORDING
SYSTEMS

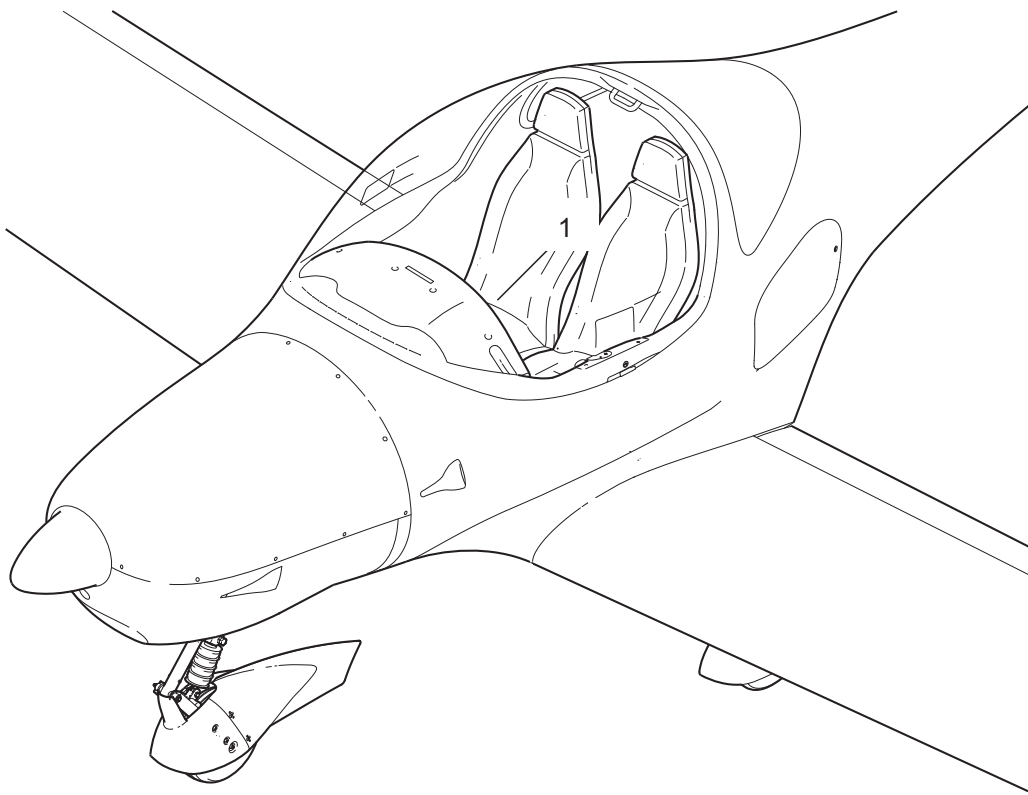


AQUILA AT01-100
ILLUSTRATED PARTS CATALOG

TABLE OF CONTENTS

<u>Title</u> <u>Subject</u>	<u>Chapter</u> <u>Section</u> <u>Subject</u>	<u>Page</u>	<u>Effectivity</u>
INDICATING / RECORDING SYSTEMS - GENERAL	31-00-00	1	
Indicating / Recording Systems - General	31-00-00	2	
Misc. Indicators / Indicating Devices	31-00-00	4	

INDICATING / RECORDING SYSTEMS
GENERAL



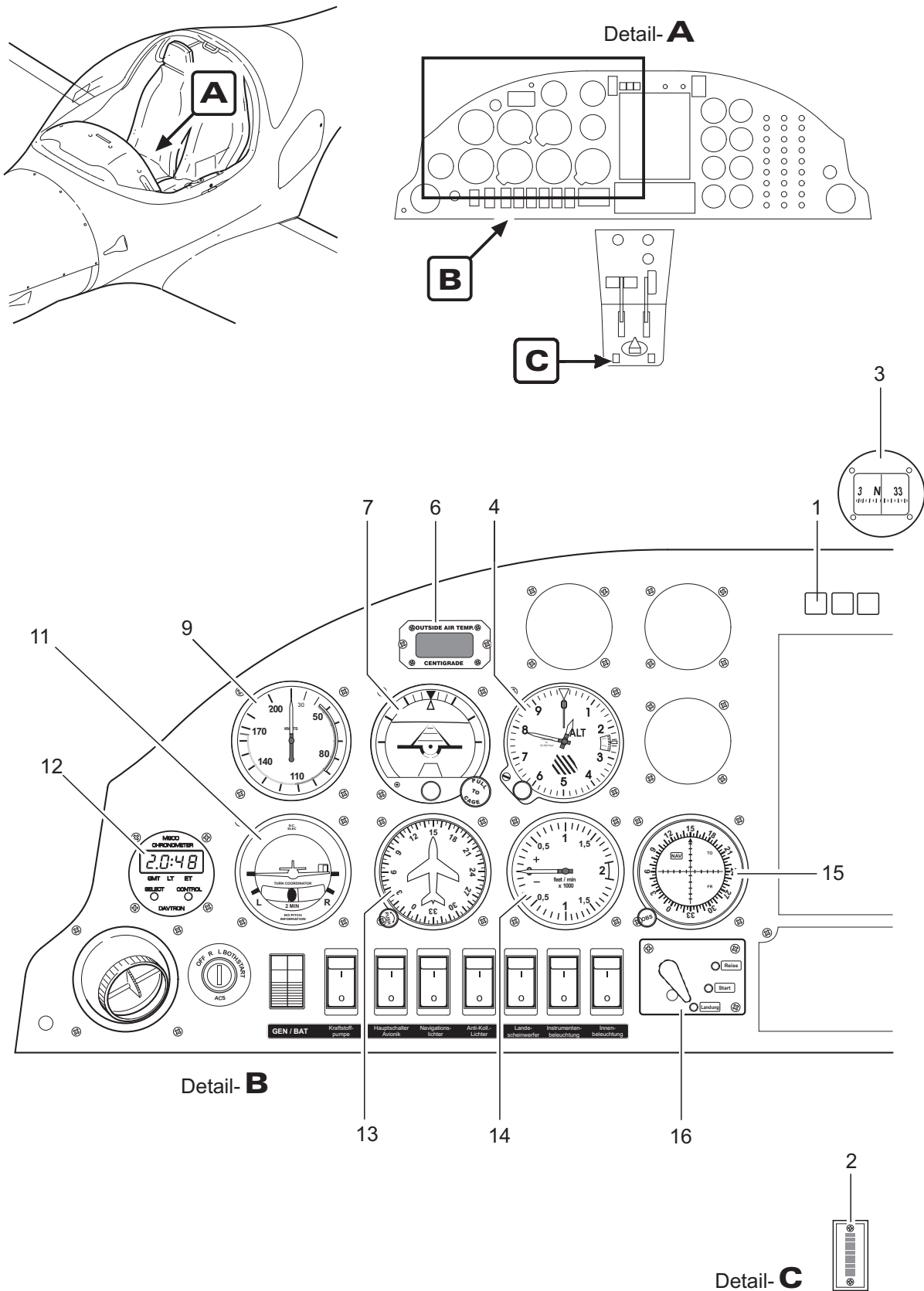


AQUILA AT01-100

ILLUSTRATED PARTS CATALOG

Fig. Item	QTY	Part Number	Nomenclature	Effectivity
1			Indicating / Recording Systems - General	
	1		Misc. Indicators / Indicating Devices (refer to 31-00-00, figure 2 for details)	

- Item not illustrated



Misc. Indicators / Indicating Devices
Figure 2

31-00-00

Fig. Item	QTY	Part Number	Nomenclature	Effectivity
2			Misc. Indicators / Indicating Devices	
1	1	AT01-4530-802	warning light red	
	1	AT01-4530-804	warning light yellow (Pitot-heating)	
2	1	AT01-2840-181	trim position indicator	
3	1	AT01-2840-142	compass Airpath C2400-L4P (northern hemisphere)	
	1	AT01-2840-173	compass Airpath C2400-L4P (southern hemisphere)	
4	1	AT01-2840-130	altimeter Mid Continent 5934PM-3 (Ø 80mm)	
	1	AT01-2840-170	altimeter Mid Continent 5934PM-3 (Ø 80mm, lighted)	
-5	1	AT01-2840-128	altimeter Winter 4 FGH 40 (Ø 57mm)	
	1	AT01-2840-145	altimeter Mid Continent MD15-212 (Ø 57mm, lighted)	
	1	AT01-2840-182	altimeter Mid Continent 5237M (Ø 57mm, lighted)	
6	1	AT01-2840-200	outside air temperature indicator Davtron	
7	1	AT01-2840-153	attitude gyro Mid Continent 4300-311 (Ø 80mm, lighted)	
-8	1	AT01-2840-161	attitude gyro Mid Continent 4200-11 (Ø 57mm, lighted)	
	1	AT01-2840-158	attitude gyro RC Allen 2600-2 (Ø 57mm)	
9	1	AT01-2840-108	airspeed indicator Mid Continent 8025 (Ø 80mm)	
-10	1	AT01-2840-148	airspeed indicator Winter 7 FMS 5 (Ø 57mm)	
11	1	AT01-2840-156	turn coordinator Mid Continent MD1394 (Ø 80mm)	
12	1	AT01-2840-198	chronometer Davtron (Ø 57mm)	
13	1	AT01-2840-169	directional gyro Mid Continent MD3300-10 (Ø 80mm)	
	1	AT01-2840-157	directional gyro Mid Continent MD3300-11 (Ø 80mm, lighted)	
14	1	AT01-2840-100	vertical speed indicator UMA T8-310-20 (Ø 80mm)	
15	1	AT01-8730-201	course deviation indicator (CDI) Garmin GI-106A (Ø 80mm, lighted)	
16	1	AT01-8220-067	flap switch / indicator	
-17	1	AT01-8250-106	trim switch	

- Item not illustrated



AQUILA AT01-100/200
ILLUSTRATED PARTS CATALOG

CHAPTER 32
LANDING GEAR

TABLE OF CONTENTS

<u>Title</u> <u>Subject</u>	<u>Chapter</u> <u>Section</u> <u>Subject</u>	<u>Page</u>	<u>Effectivity</u>
MAIN GEAR	32-10-00	1	
Main Gear - General	32-10-00	2	
Main Gear Fairing Installation	32-10-00	4A	“High Speed”
Main Gear Fairing Installation	32-10-00	4B	“Soft Field”
Main Gear Leg Installation	32-10-00	6	
Main Gear Wheel Installation	32-10-00	8A	Beringer
Main Gear Wheel Installation	32-10-00	8B	Cleveland/Grove
Main Gear Leg Protection	32-10-00	10	
NOSE GEAR	32-20-00	1	
Nose Gear - General	32-20-00	2	
Nose Gear Fairing Installation	32-20-00	4A	“High Speed”
Nose Gear Fairing Installation	32-20-00	4B	“Soft Field”
Nose Gear Strut Installation	32-20-00	6	
Nose Gear Strut Installation	32-20-00	8	
Nose Gear Fork/Damper Installation	32-20-00	10	
Damper Assembly	32-20-00	12A	AT01-100
Damper Assembly	32-20-00	12B	AT01-200
Nose Gear Wheel Installation	32-20-00	14A	Beringer
Nose Gear Wheel Installation	32-20-00	14B	Cleveland/Grove
WHEELS & BRAKES	32-40-00	1	
Wheels & Brakes - General	32-40-00	2	
Wheel Assembly	32-40-00	4A	Ber. RF-005/RA-002
Wheel Assembly	32-40-00	4B	Ber. RF-018/RA-014
Wheel Assembly	32-40-00	4C	Cleveland/Grove
Brake System Installation - Front	32-40-00	6A	Beringer
Brake System Installation - Front	32-40-00	6B	Cleveland/Grove
Brake System Installation - Rear	32-40-00	8A	Beringer
Brake System Installation - Rear	32-40-00	8B	Cleveland/Grove
Brake Caliper Installation	32-40-00	10A	Beringer
Brake Caliper Installation	32-40-00	10B	Cleveland/Grove

MAIN GEAR

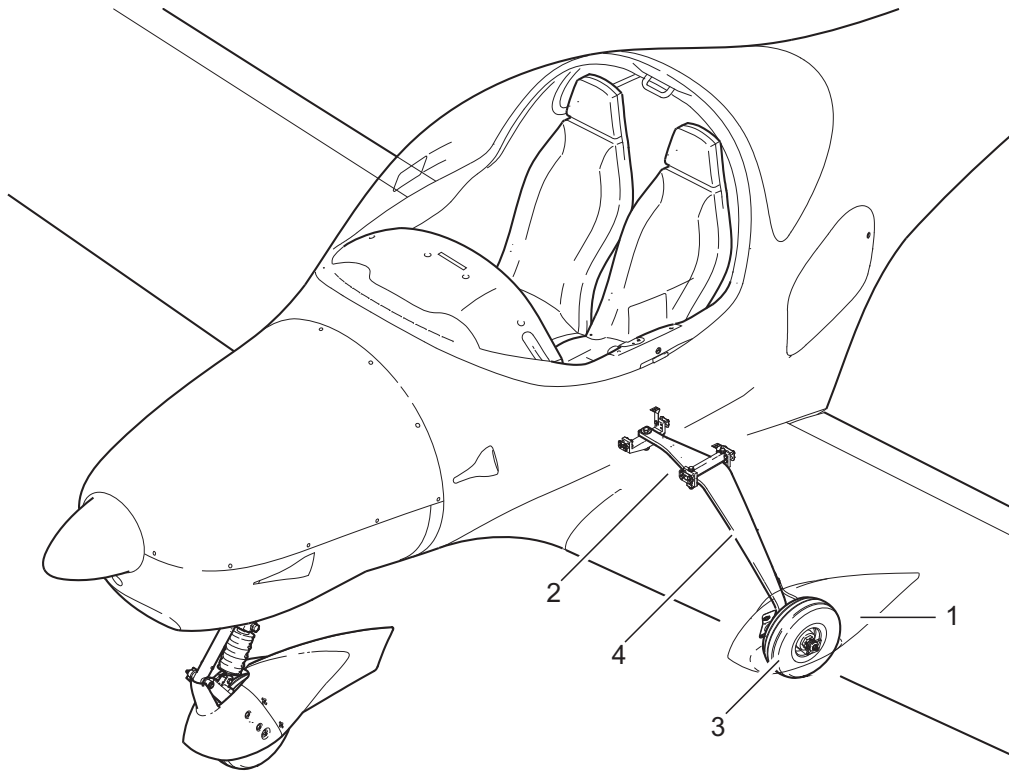
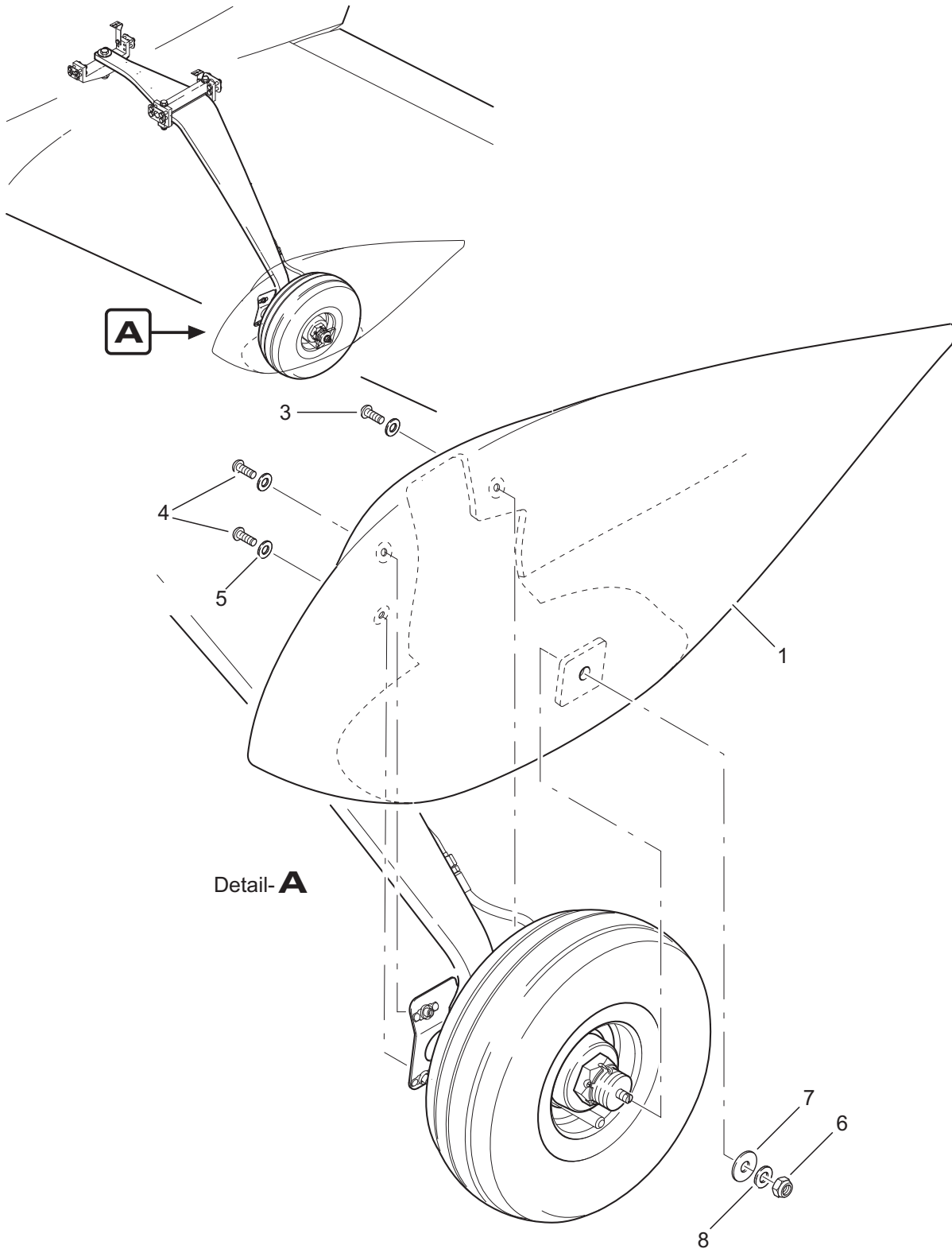


Fig. Item	QTY	Part Number	Nomenclature	Effectivity
1			Main Gear - General	
	1		Main Gear Fairing Installation (refer to 32-10-00, figure 2A for details)	"High Speed"
	-1		Main Gear Fairing Installation (refer to 32-10-00, figure 2B for details)	"Soft Field"
	2		Main Gear Leg Installation (refer to 32-10-00, figure 3 for details)	
	-3		Main Gear Wheel Installation (refer to 32-10-00, figure 4A for details)	Beringer
	3		Main Gear Wheel Installation (refer to 32-10-00, figure 4B for details)	Cleveland/ Grove
	4		Main Gear Leg Protection (refer to 32-10-00, figure 5 for details)	

- Item not illustrated



Detail-**A**

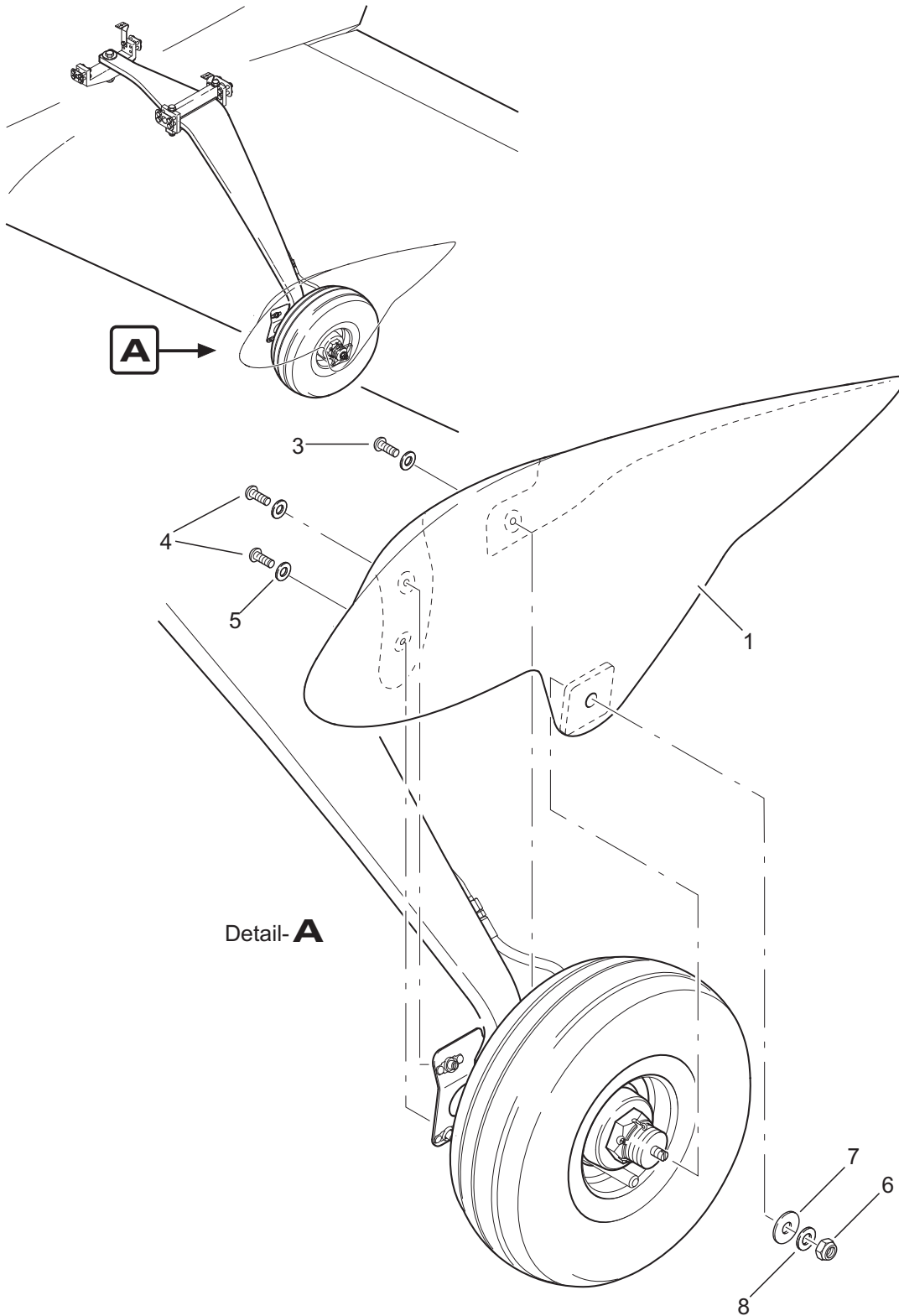
EFFECTIVITY

Aircraft equipped
with main gear
fairings "High Speed"

Main Gear Fairing Installation
Figure 2A

Fig. Item	QTY	Part Number	Nomenclature	Effectivity
2A			Main Gear Fairing Installation	"High Speed"
1	1	AT01-5030-001-070	main gear fairing "High Speed" LH	
-2	1	AT01-5030-002-070	main gear fairing "High Speed" RH	
<u>Option A: Wheel fairing installation with steel washers</u>				steel washers
3	1	1800933_M6x20	bolt (ISO 4017 M6x20 8.8)	
4	2	1800933_M6x16	bolt (ISO 4017 M6x16 8.8)	
5	3	1809021_6,4	washer (ISO 7093 6,4x18)	
6	1	1800985_M8	locknut (ISO 10511 M8)	
7	1	1809021_8,4	washer (ISO 7093 8,4x24)	
8	-	-	-	
<u>Option B: Wheel fairing installation with polyamide washers</u>				PA washers
3	1	1807380_6x20 ULF	bolt (ISO 7380 M6x20 ULF)	
4	2	1807380_6x16 ULF	bolt (ISO 7380 M6x16 ULF)	
5	3	1809021_6,4_PA	washer (ISO 7093 6,4x18 polyamide)	
6	1	1800985_M8	locknut (ISO 10511 M8)	
7	1	1809021_8,4_PA	washer (ISO 7093 8,4x24 polyamide)	
8	1	1800125_8,4	washer (ISO 7089 8,4x16)	
<u>Service Kits & Tools</u>				
		AT01-5030-001-096	main gear fairing "High Speed" LH (incl. mounting material)	
		AT01-5030-002-096	main gear fairing "High Speed" RH (incl. mounting material)	

- Item not illustrated



Detail-**A**

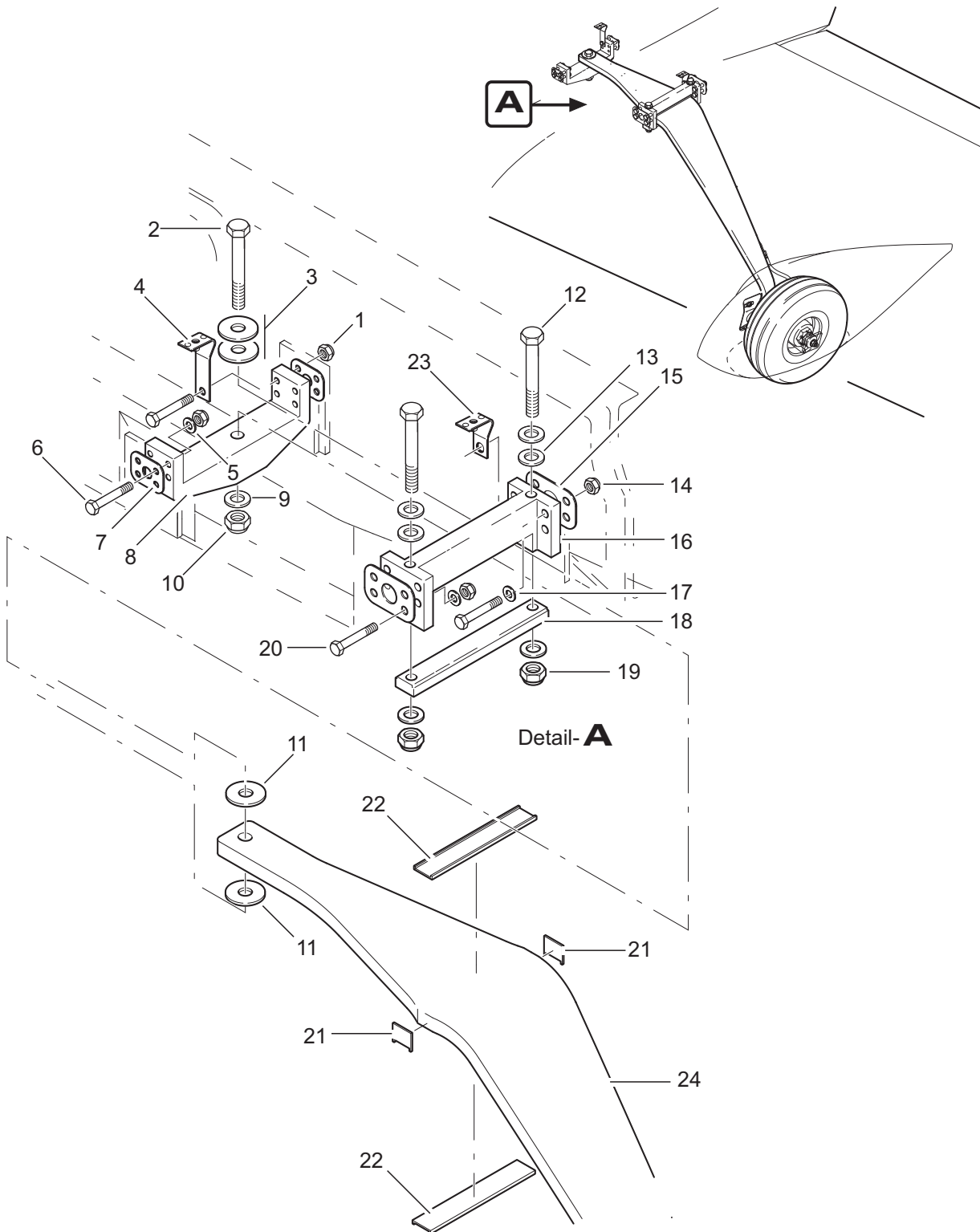
EFFECTIVITY

Aircraft equipped
with main gear
fairings "Soft Field"

Main Gear Fairing Installation
Figure 2B

Fig. Item	QTY	Part Number	Nomenclature	Effectivity
2B			Main Gear Fairing Installation	"Soft Field"
1	1	AT01-5030-007-070	main gear fairing "Soft Field" LH	
-2	1	AT01-5030-008-070	main gear fairing "Soft Field" RH	
<u>Option A: Wheel fairing installation with steel washers</u>				steel washers
3	1	1800933_M6x20	bolt (ISO 4017 M6x20 8.8)	
4	2	1800933_M6x16	bolt (ISO 4017 M6x16 8.8)	
5	3	1809021_6,4	washer (ISO 7093 6,4x18)	
6	1	1800985_M8	locknut (ISO 10511 M8)	
7	1	1809021_8,4	washer (ISO 7093 8,4x24)	
8	-	-	-	
<u>Option B: Wheel fairing installation with polyamide washers</u>				PA washers
3	1	1807380_6x20 ULF	bolt (ISO 7380 M6x20 ULF)	
4	2	1807380_6x16 ULF	bolt (ISO 7380 M6x16 ULF)	
5	3	1809021_6,4_PA	washer (ISO 7093 6,4x18 polyamide)	
6	1	1800985_M8	locknut (ISO 10511 M8)	
7	1	1809021_8,4_PA	washer (ISO 7093 8,4x24 polyamide)	
8	1	1800125_8,4	washer (ISO 7089 8,4x16)	
<u>Service Kits & Tools</u>				
		AT01-5030-007-096	main gear fairing "Soft Field" LH (incl. mounting material)	
		AT01-5030-008-096	main gear fairing "Soft Field" RH (incl. mounting material)	

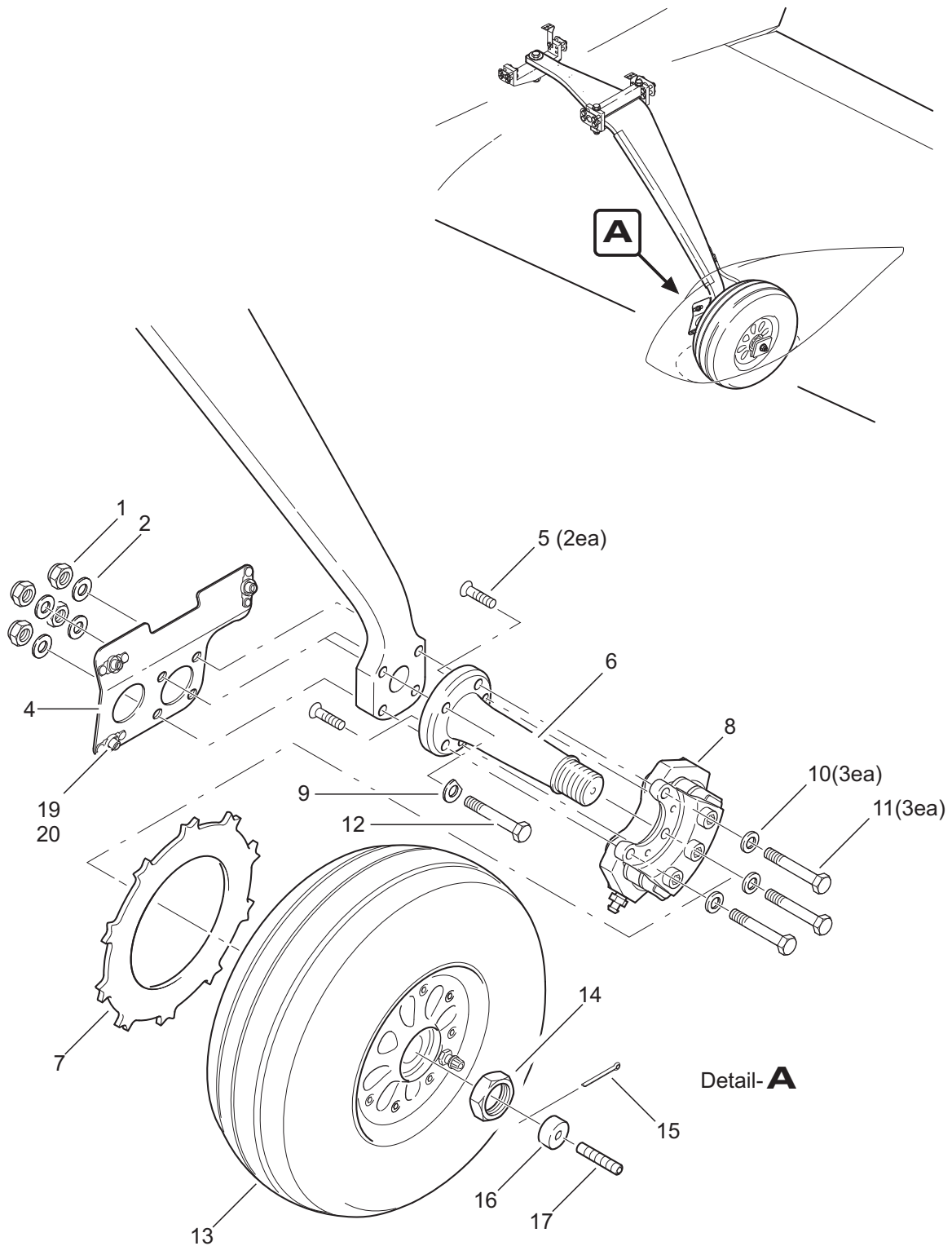
- Item not illustrated



Main Gear Leg Installation
 Figure 3

Fig. Item	QTY	Part Number	Nomenclature	Effectivity
3			Main Gear Leg Installation	
1	8	1800985_M6	nut (ISO 10511 M6)	
2	1	1800931_M12x85	bolt (ISO 4014 M12x85)	
3	4	1800440_13,5	washer (ISO 7094 13,5x44)	
4	1	AT01-2160-015	central suspension for landing gear duct cover	
5	7	1800125_6,4	washer (ISO 7089 6,4x12)	
6	8	1800931_M6x45	bolt (ISO 4014 M6x45 8.8)	
7	2	AT01-5050-102	bearing plate (inner yoke)	
8	1	AT01-5050-100	inner yoke	
9	1	1800125_13HV2	washer (ISO 7089 13x24)	
10	1	1800985_M12	locknut (ISO 10511 M12)	
11	2	1809021_13 Nylon	polyamide washer (ISO 7093 13x37)	
12	2	1800931_M10x90	bolt (ISO 4014 M10x90 8.8)	
13	6	1800125_10,5	washer (ISO 7089 10,5x20)	
14	8	1800985_M8	locknut (ISO 10511 M8)	
15	2	AT01-5050-110	bearing plate (outer yoke)	
16	1	AT01-5050-101	outer yoke	
17	7	1800125_8,4	washer (ISO 7089 8,4x16)	
18	1	AT01-5050-103	support bracket (outer yoke)	
19	2	1800985_M10	locknut (ISO 10511 M10)	
20	8	1800931_M8x50	bolt (ISO 4014 M8x50 8.8)	
21	2	AT01-5050-105	UHMW element 2	
22	2	AT01-5050-104	UHMW element 1	
23	1	AT01-2160-016	outer suspension for landing gear duct cover	
24	1	AT01-5010-202	main gear leg LH	
- 25	1	AT01-5010-201	main gear leg RH	

- Item not illustrated



EFFECTIVITY

Aircraft equipped
with Beringer wheels

Main Gear Wheel Installation
Figure 4A

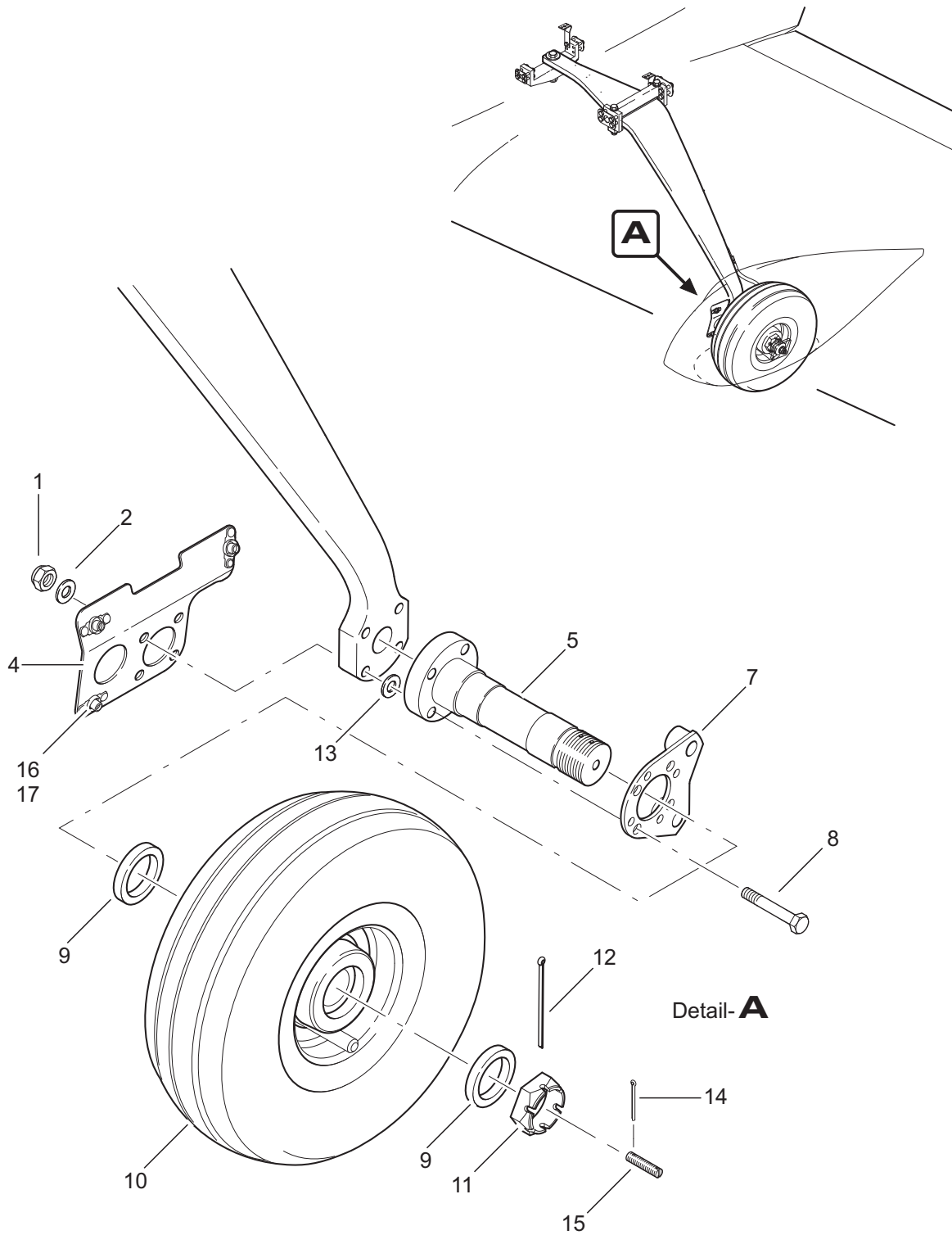
32-10-00

Page 8A

04.02.21

Fig. Item	QTY	Part Number	Nomenclature	Effectivity
4A			Main Gear Wheel Installation	Beringer
1	4	1800985_M8_10	locknut (ISO 10511 M8 class 10)	
2	4	1800125_8,4	washer (ISO 7089 8,4x16)	
- 3	1	AT01-5030-004	main gear fairing bracket RH	
4	1	AT01-5030-003	main gear fairing bracket LH	
5	2	AT01-5020-118	assembly screw	
6	1	AT01-5010-102	main landing gear axle (old version / replaced by AT01-5010-106)	
		AT01-5010-106	main landing gear axle (new version / replaces AT01-5010-102)	
7	1	AT01-5020-101	brake disc	
8	1	AT01-5020-033	brake caliper (modified)	
9	1	AT01-5010-104	washer	
10	3	1800988_8/1	adjusting washer (DIN 988 8x14x1)	
11	3	1809037_08050	bolt (LN 9037 M8x50)	
12	1	1809037_08044	bolt (LN 9037 M8x44)	
13	1	AT01-5040-004	main wheel Beringer RF-005 (incl. rim and tire / old version with central spacer / replaced by RF-018)	
		AT01-5040-005	main wheel Beringer RF-018 (incl. rim and tire / new version without central spacer / replaces RF-005)	
14	1	AT01-5010-103	axle nut	
15	1	1800094_2,5x28	split pin (ISO 1234 2,5x28)	
16	1	AT01-5030-109	fairing spacer	
17	1	1800913_M08x45	threaded pin (ISO 4026 M8x45)	
-18	1	AT01-1840-507	brake disc safety wire	
19	3	18029679M6	rivet nut (LN 29679 M6 / incl. in AT01-5030-003 & AT01-5030-004)	
20	6	1807337_3,2x6 ES/ES	rivet (ISO 15984 3,2x6 A2/A2 / incl. in AT01-5030-003 & AT01-5030-004)	

- Item not illustrated



EFFECTIVITY

Aircraft equipped
with Cleveland/
Grove wheels

Main Gear Wheel Installation
Figure 4B

32-10-00

Page 8B

04.02.21

Fig. Item	QTY	Part Number	Nomenclature	Effectivity
4B			Main Gear Wheel Installation	Cleveland/Grove
1	4	1800985_M8_10	locknut (ISO 10511 M8 class 10)	
2	4	1800125_8,4	washer (ISO 7089 d 8,4x16)	
- 3	1	AT01-5030-004	main gear fairing bracket RH	
4	1	AT01-5030-003	main gear fairing bracket LH	
5	1	AT01-5010-100	main landing gear axle	
- 6	1	AT01-5020-352	torque plate Cleveland RH	Cleveland
		AT01-5020-359	torque plate Grove RH	Grove
7	1	AT01-5020-351	torque plate Cleveland LH	Cleveland
		AT01-5020-358	torque plate Grove LH	Grove
8	8	1809037_08048	bolt (LN 9037 M8x48)	
9	2	AT01-5020-202	spacer bushing	
10	1	AT01-5040-001	main wheel Cleveland (incl. rim, tire and brake disc)	Cleveland
		AT01-5040-003	main wheel Grove (incl. rim, tire and brake disc)	Grove
11	1	AT01-5020-201	axle nut	
12	1	1800094_3,2x63	split pin (ISO 1234 3,2x63)	
13	AR	1800988_8/0,05	adjusting washer (as required)	
14	1	1800094_2x40	split pin (ISO 1234 2x40)	
15	1	AT01-5030-102	bolt	
16	3	18029679M6	rivet nut (LN 29679 M6 / incl. in AT01-5030-003 & AT01-5030-004)	
17	6	1807337_3,2x6 ES/ES	rivet (ISO 15984 3,2x6 A2/A2 / incl. in AT01-5030-003 & AT01-5030-004)	

- Item not illustrated

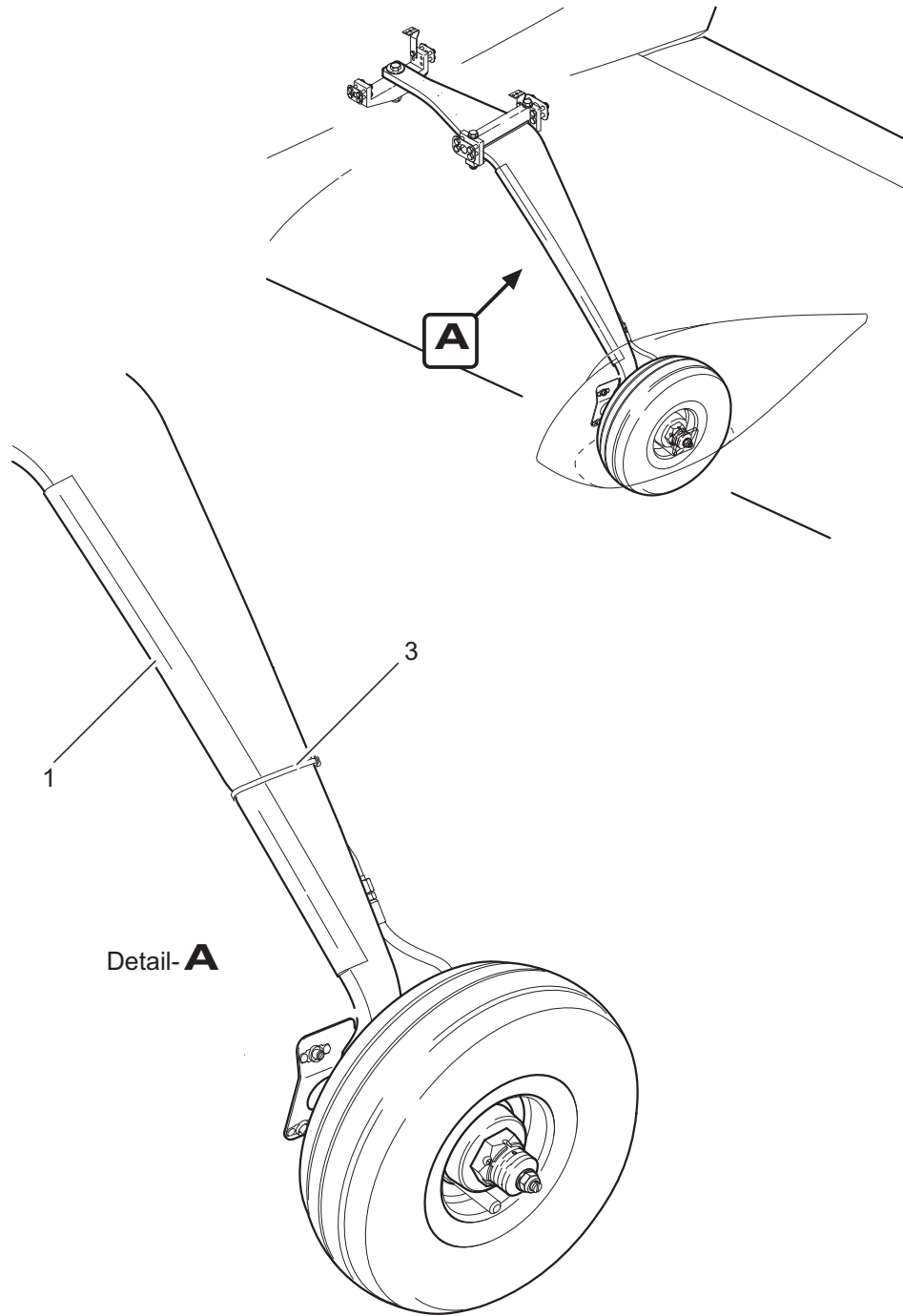


Fig. Item	QTY	Part Number	Nomenclature	Effectivity
5			Main Gear Leg Protection	
	1	AT01-5030-104	leg protection	
	-2	AR AT01-1960-176	construction glue	
	3	AT01-4530-910	tightening strap	
	-4	AR AT01-1440-178	leg protection foil (self-adhesive / alternative to items 1-3)	

NOSE GEAR

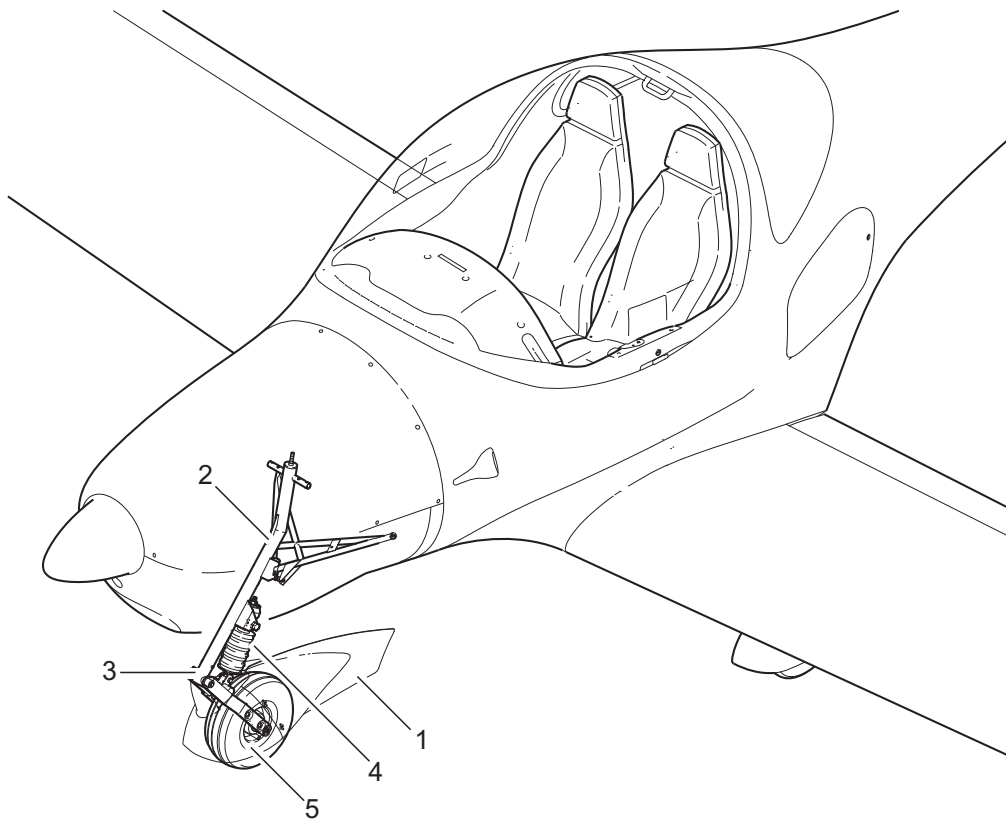
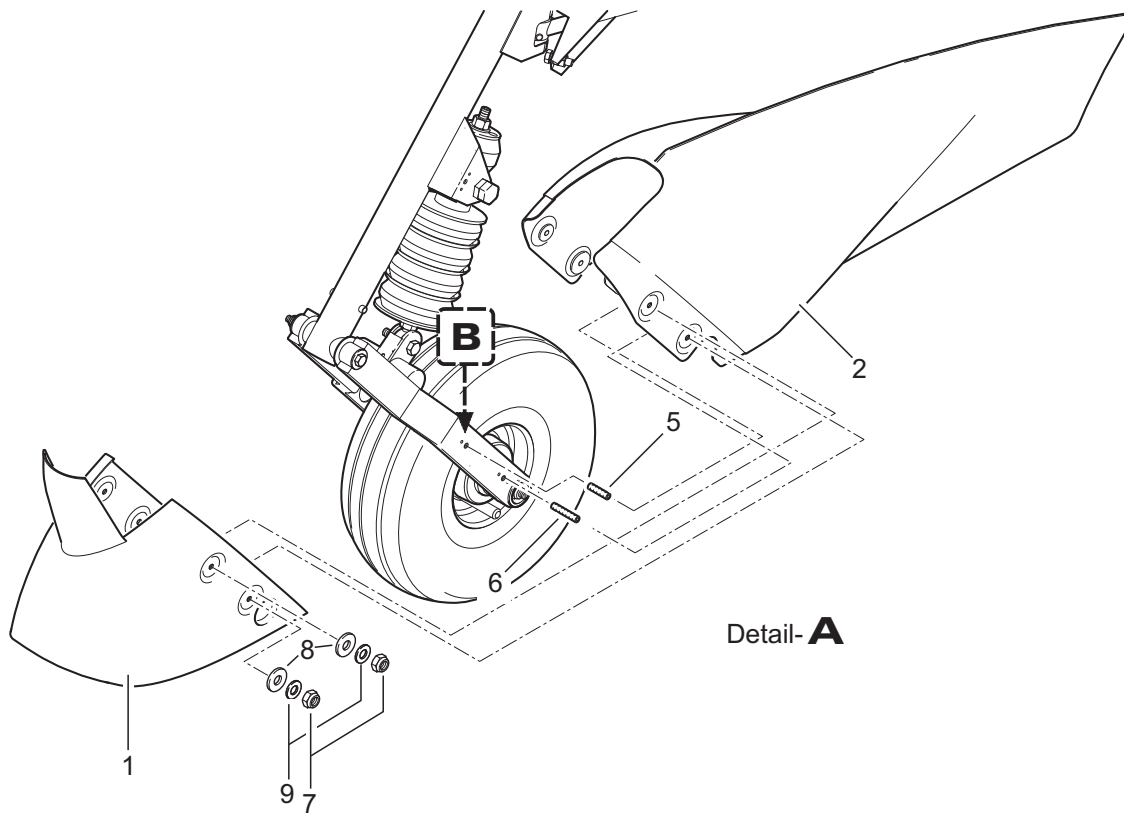
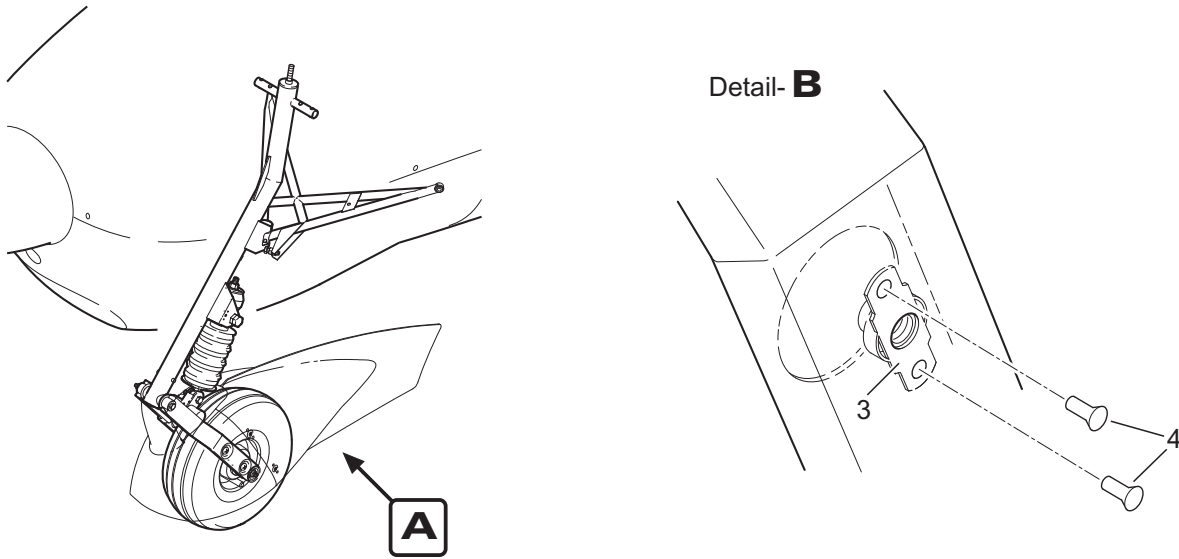


Fig. Item	QTY	Part Number	Nomenclature	Effectivity
1			Nose Gear - General	
	1		Nose Gear Fairing Installation (refer to 32-20-00, figure 2A for details)	"High Speed"
	1		Nose Gear Fairing Installation (refer to 32-20-00, figure 2B for details)	"Soft Field"
	2		Nose Gear Strut Installation (refer to 32-20-00, figure 3 for details)	
	3		Nose Gear Fork/Damper Installation (refer to 32-20-00, figure 4 for details)	
	4		Damper Assembly (refer to 32-20-00, figure 5A for details)	AT01-100
	4		Damper Assembly (refer to 32-20-00, figure 5B for details)	AT01-200
	5		Nose Gear Wheel Installation (refer to 32-20-00, figure 6A for details)	Beringer
	5		Nose Gear Wheel Installation (refer to 32-20-00, figure 6B for details)	Cleveland/ Grove

- Item not illustrated



EFFECTIVITY

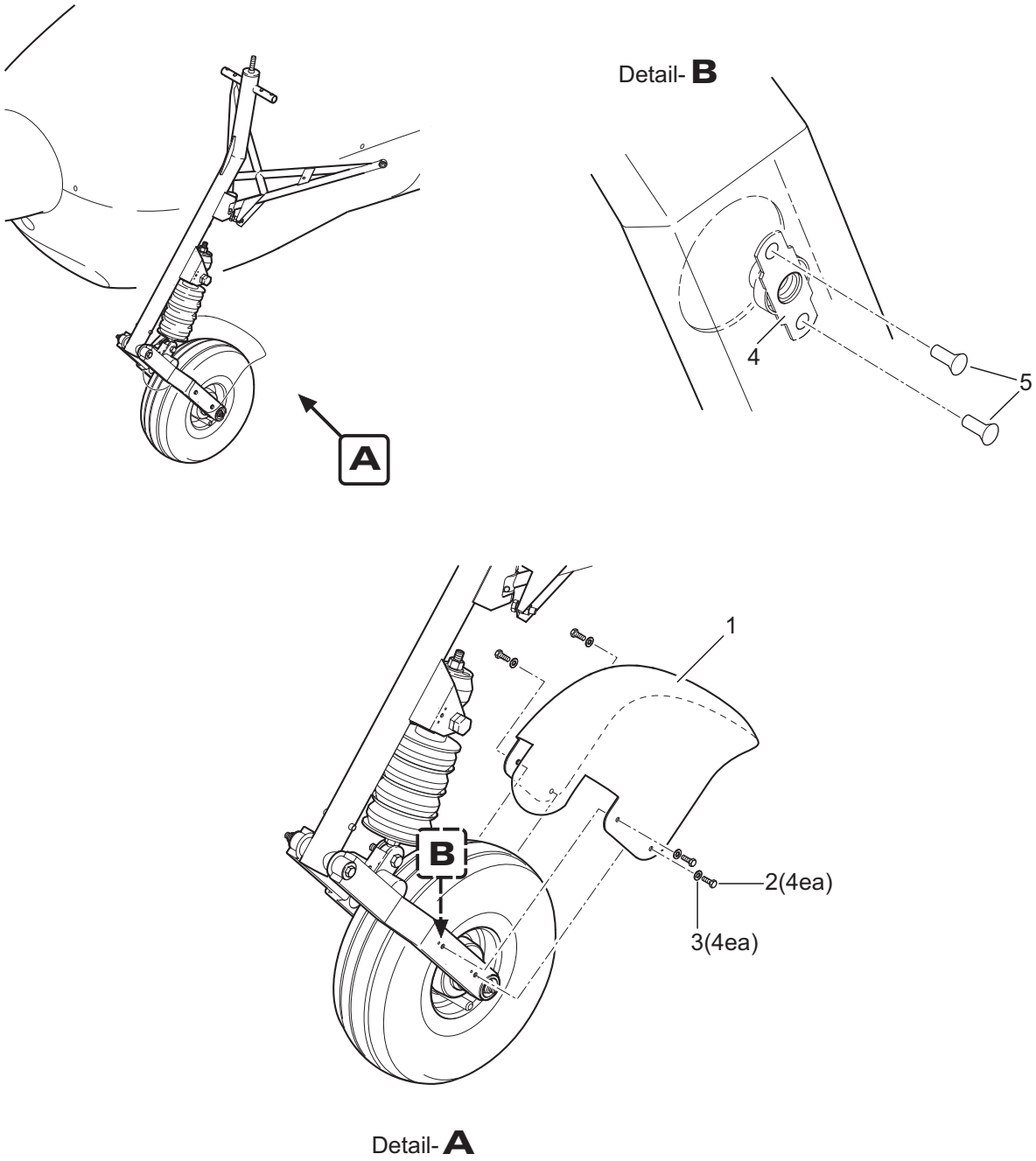
Aircraft equipped with nose gear fairing "High Speed"

Nose Gear Fairing Installation
Figure 2A

Fig. Item	QTY	Part Number	Nomenclature	Effectivity
2A			Nose Gear Fairing Installation	"High Speed"
1	1	AT01-5160-007-070	nose gear fairing "High Speed" forepart	AT01-100
		AT01-5160-010-070	nose gear fairing "High Speed" forepart (with cutout for reinforced nose wheel fork AT01-5110-005)	AT01-200 ¹⁾
2	1	AT01-5160-008-070	nose gear fairing "High Speed" rear part	
3	4	18029679M6	rivet nut (LN 29679 M6)	
4	8	1807337_3,2x6 ES/ES	rivet (ISO 15984 3,2x6 A2/A2)	
<u>Option A: Wheel fairing installation with steel washers</u>				steel washers
5	2	1800913_M06x25	threaded pin (ISO 4026 M6x25)	
6	2	1800913_M06x30	threaded pin (ISO 4026 M6x30)	
7	4	1800985_M6	locknut (ISO 10511 M6)	
8	4	1809021_6,4	washer (ISO 7093 6,4x18)	
9	-	-	-	
<u>Option B: Wheel fairing installation with polyamide washers</u>				PA washers
5	2	1800913_M06x30	threaded pin (ISO 4026 M6x30)	
6	2	1800913_M06x35	threaded pin (ISO 4026 M6x35)	
7	4	1800985_M6	locknut (ISO 10511 M6)	
8	4	1809021_6,4_PA	washer (ISO 7093 6,4x18 polyamide)	
9	4	1800125_6,4	washer (ISO 7089 6,4x12)	
<u>Service Kits & Tools</u>				
		AT01-5160-009-096	nose gear fairing "High Speed" (incl. AT01-5160-007 & AT01-5160-008 & mounting material)	

¹⁾ Refer to SB-AT01-037 for installation of the reinforced nose wheel fork on the AT01-100.

- Item not illustrated



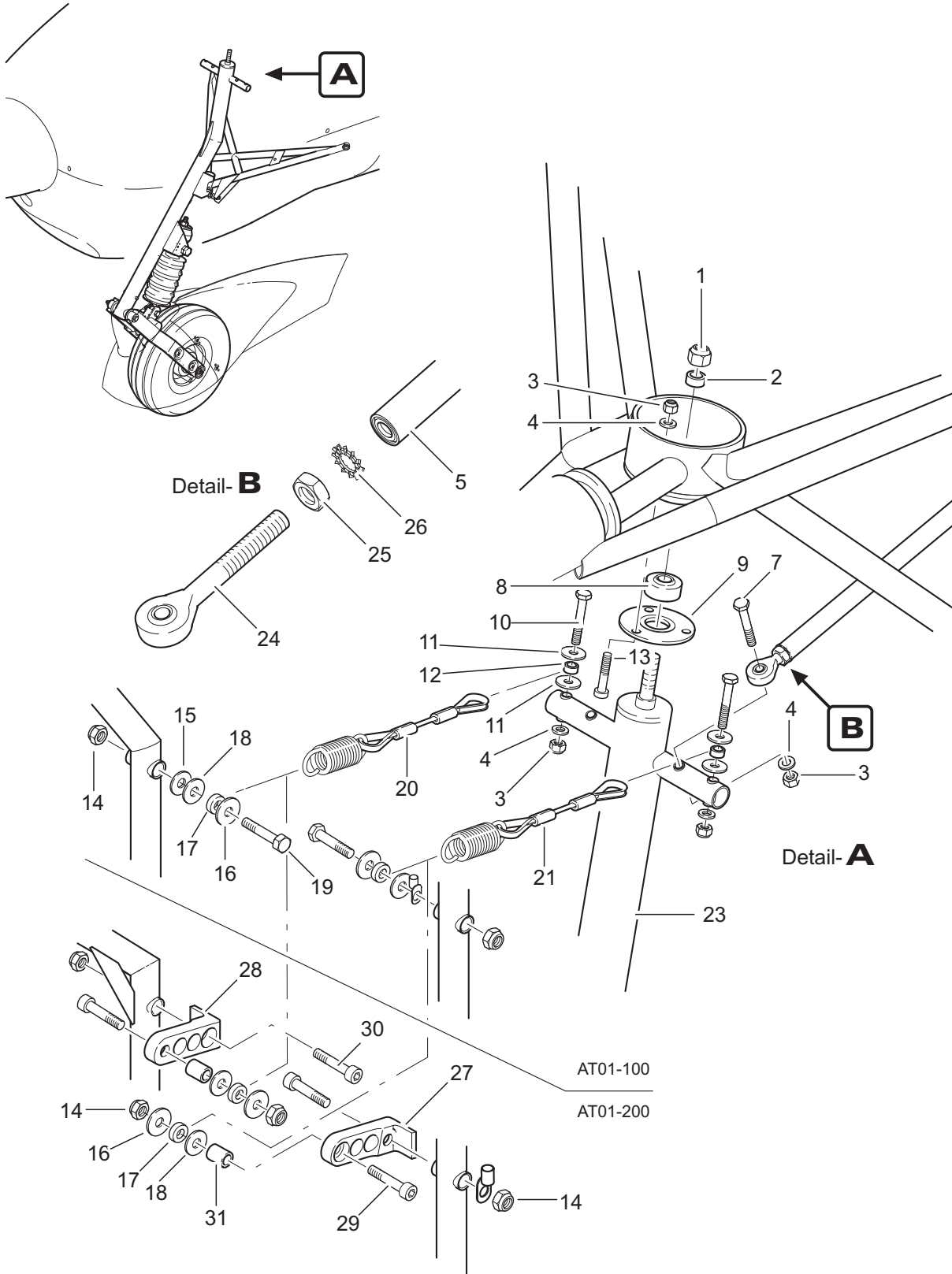
EFFECTIVITY

Aircraft equipped with nose gear fairing "Soft Field"

Nose Gear Fairing Installation
Figure 2B

Fig. Item	QTY	Part Number	Nomenclature	Effectivity
2B			Nose Gear Fairing Installation	"Soft Field"
1	1	AT01-5160-006-070	nose gear fairing "Soft Field"	
2	4	1807380_6x20 ULF	bolt (ISO 7380 M6x20 ULF)	
3	4	1809021_6,4_PA	washer (ISO 7093 6,4x18 polyamide)	
4	4	18029679M6	rivet nut (LN 29679 M6)	
5	8	1807337_3,2x6 ES/ES	rivet (ISO 15984 3,2x6 A2/A2)	
<u>Service Kits & Tools</u>				
		AT01-5160-006-096	nose gear fairing "Soft Field" (incl. mounting material)	

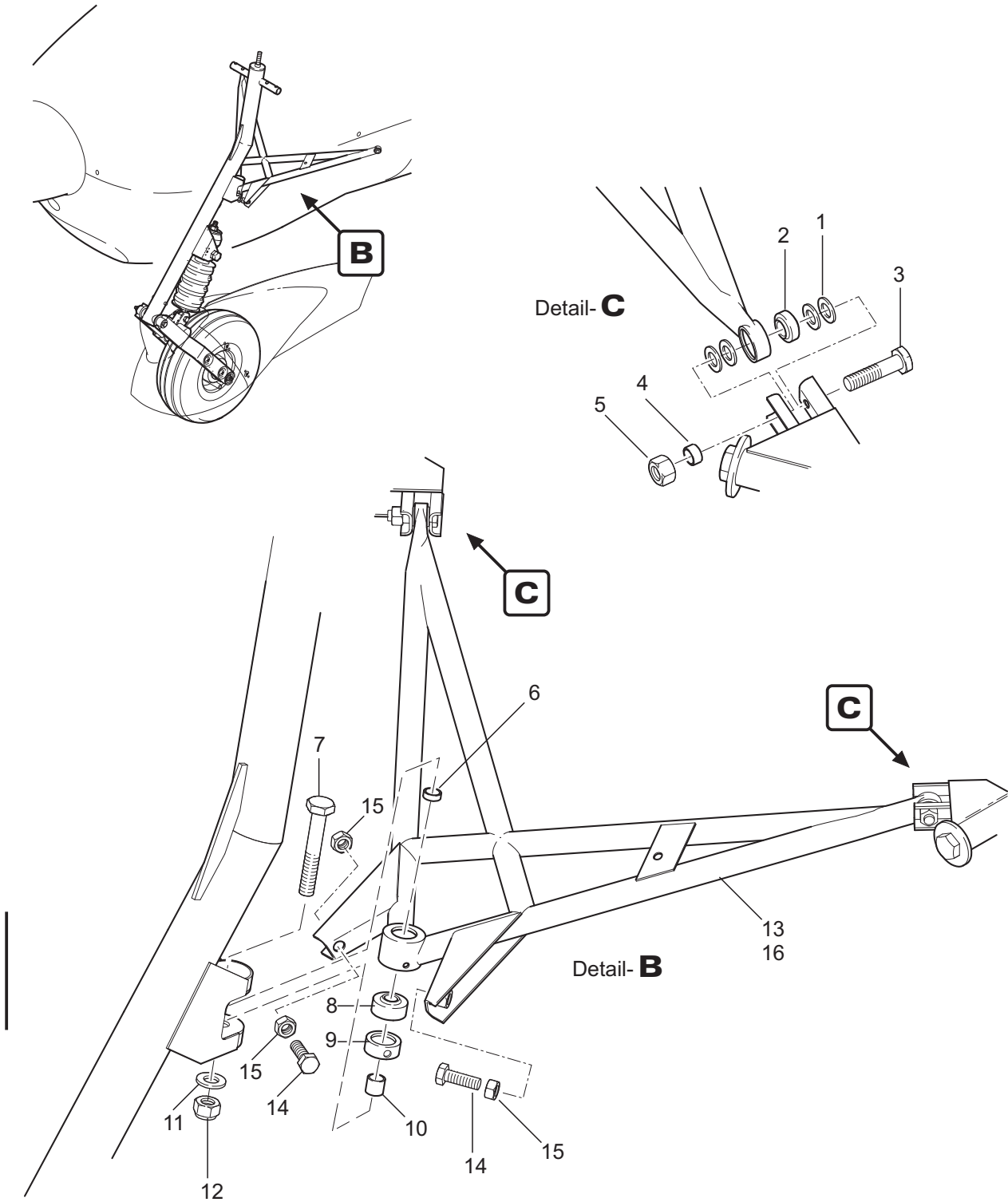
- Item not illustrated



Nose Gear Strut Installation
Figure 3 (1)

Fig. Item	QTY	Part Number	Nomenclature	Effectivity
3 (1)			Nose Gear Strut Installation	
1	1	1800985_M10	locknut (ISO 10511 M10)	
2	1	AT01-5110-120	spacer sleeve (upper bearing)	
3	7	1800985_M6	locknut (ISO 10511 M6)	
4	7	1800125_6,4	washer (ISO 7089 6,4x12)	
5	1	AT01-5120-002	handlebar LH	
-6	1	AT01-5120-004	handlebar RH	
7	2	1809037_06040	bolt (LN 9037 M6x40)	
8	1	AT01-1850-103	bearing	
9	1	AT01-5110-105	bearing ring	
10	2	1809037_06040	bolt (LN 9037 M6x40)	
11	4	1809021_6,4	washer (ISO 7093 6,4x18)	
12	2	AT01-4510-125	spacer sleeve	
13	3	1806912_M6x30	bolt (DIN 6912 M6x30 8.8)	
14	2/4	1800985_M8	locknut (ISO 10511 M8)	
15	1	1800125_8,4	washer (ISO 7089 8,4x16)	AT01-100
16	2	1809021_8,4	washer (ISO 7093 8,4x24)	
17	2	AT01-5120-102	spacer sleeve	
18	2	AT01-4540-147	washer	
19	2	1800931_M8x40	bolt (ISO 4014 M8x40 8.8)	AT01-100
20	1	AT01-5120-105-096	centering cable RH (incl. centering spring)	
21	1	AT01-5120-104-096	centering cable LH (incl. centering spring)	
22	-	-	-	
23	1	AT01-5110-001	nose gear leg	
24	2	AT01-1850-120	swivel head	
25	2	1800936_M8	nut (ISO 4035 M8)	
26	2	1806797_8,4	tooth washer (DIN 6797 8,4x15)	
27	1	AT01-5120-110	mounting bracket LH	AT01-200
28	1	AT01-5120-111	mounting bracket RH	AT01-200
29	2	1807984_8x40	bolt (ISO 14580 M8x40 8.8)	AT01-200
30	2	1800912_M8x35	bolt (ISO 4762 M8x35 8.8)	AT01-200
31	2	AT01-5120-109	spacer sleeve	AT01-200

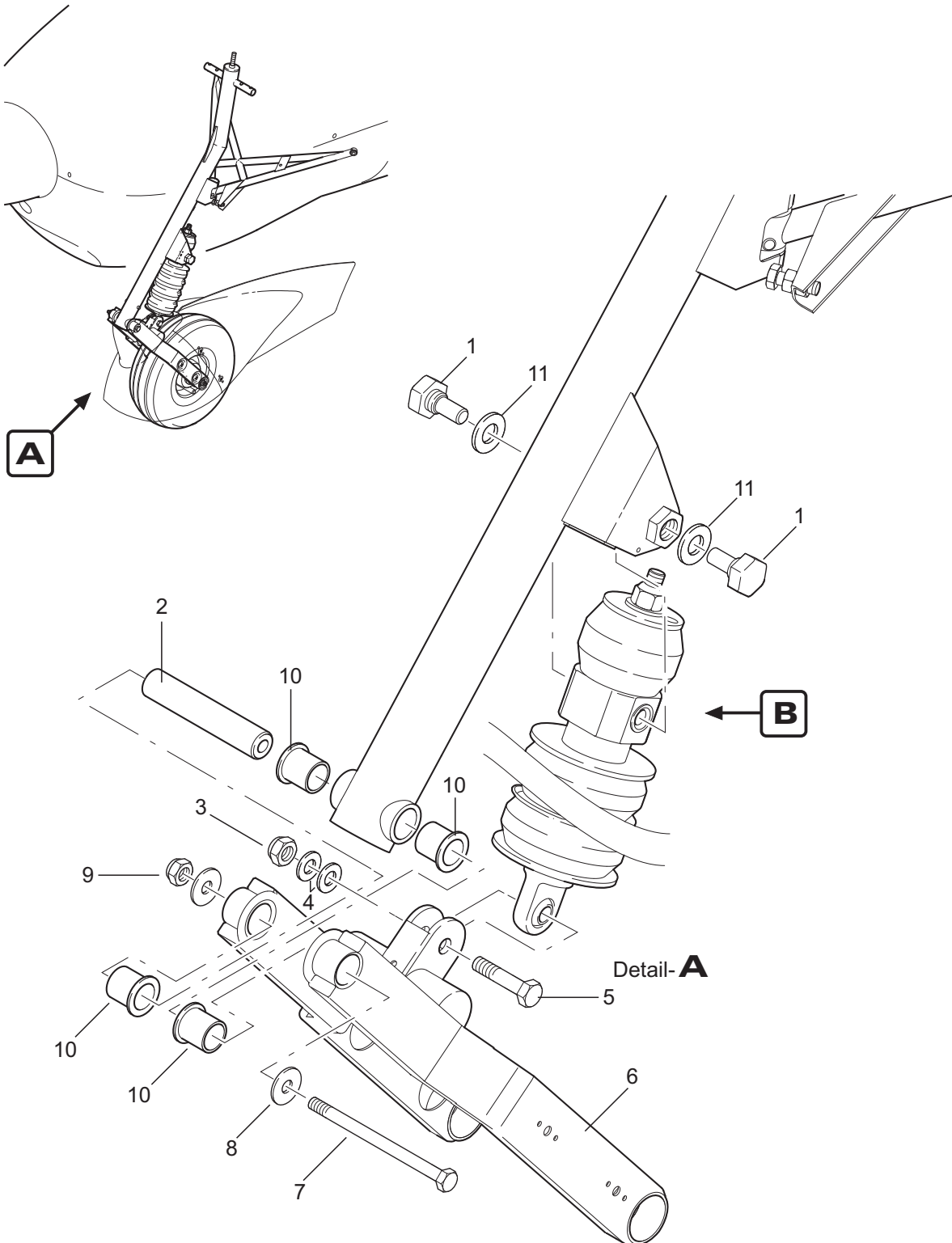
- Item not illustrated



Nose Gear Strut Installation
Figure 3 (2)

Fig. Item	QTY	Part Number	Nomenclature	Effectivity
3 (2)			Nose Gear Strut Installation	
1	8	1800988_8/1	adjusting washer (DIN 988 8x14x1)	
2	2	AT01-1850-104	bearing	
3	2	1809037_08032	bolt (LN 9037 M8x32)	
4	2	AT01-4510-127	spacer sleeve	
5	2	1800985_M8	locknut (ISO 10511 M8)	
6	1	AT01-5130-101	upper bearing sleeve	
7	1	1809037_08048	bolt (LN 9037 M8x48)	
8	1	AT01-1850-103	bearing	
9	1	AT01-5130-103	bearing ring	
	3	1807337_4,0x6 ES/ES	rivet (ISO 15984 A 4x6 A2/A2)	
10	1	AT01-5130-100	lower bearing sleeve	
11	1	1800125_10,5	washer (ISO 7089 10,5x20)	
12	1	1800985_M10	locknut (ISO 10511 M10)	
13	1	AT01-5130-001	nose gear leg support brace	
14	2	1800933_M8x25	bolt (ISO 4017 M8x25 8.8)	
15	2	1800934_M8	nut (DIN 934 M8)	
16	1	AT01-5130-003	nose gear leg support brace assembly (including items 1-5, 8, 9, 13-15)	

- Item not illustrated

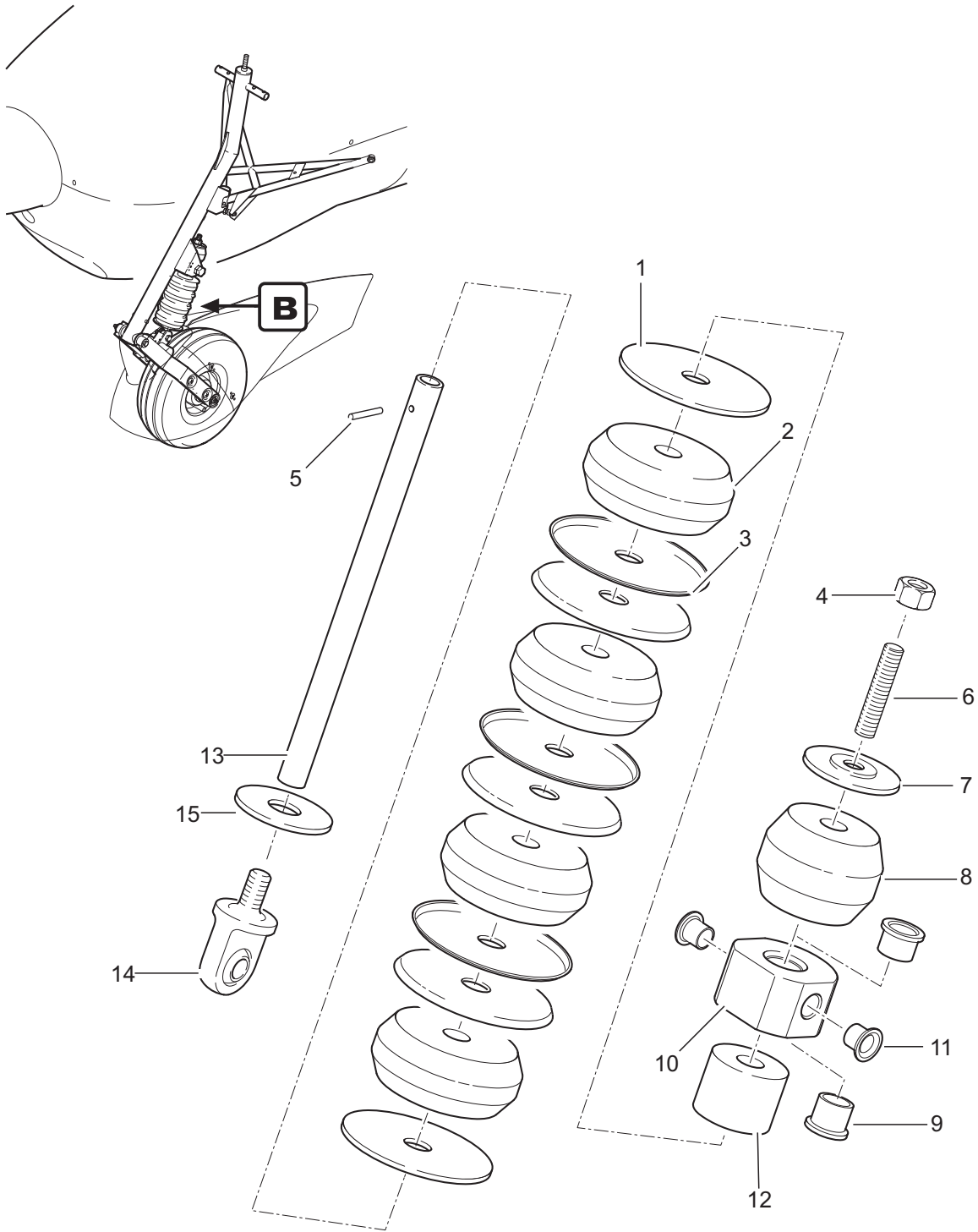


Nose Gear Fork / Damper Installation
Figure 4

Fig. Item	QTY	Part Number	Nomenclature	Effectivity
4			Nose Gear Fork / Damper Installation	
1	2	AT01-5110-111	bolt	
2	1	AT01-5110-102	nose gear bearing shaft	
3	1	1800985_M10	locknut (ISO 10511 M10)	
4	2	1800125_10,5	washer (ISO 7089 10,5x20)	
5	1	1809037_10040	bolt (LN 9037 M10x40)	
6	1	AT01-5110-002	nose gear fork	AT01-100
		AT01-5110-005	nose gear fork (reinforced)	AT01-200 ¹⁾
7	1	1800931_M8x110	bolt (ISO 4014 M8x110)	
8	2	1809021_8,4	washer (ISO 7093 8,4x24)	
9	1	1800985_M8	locknut (ISO 10511 M8)	
10	4	1850022	collar bushing	
11	2	1800125_15	washer (ISO 7089 15x28)	

¹⁾ Refer to SB-AT01-037 for installation of the reinforced nose wheel fork on the AT01-100.

- Item not illustrated



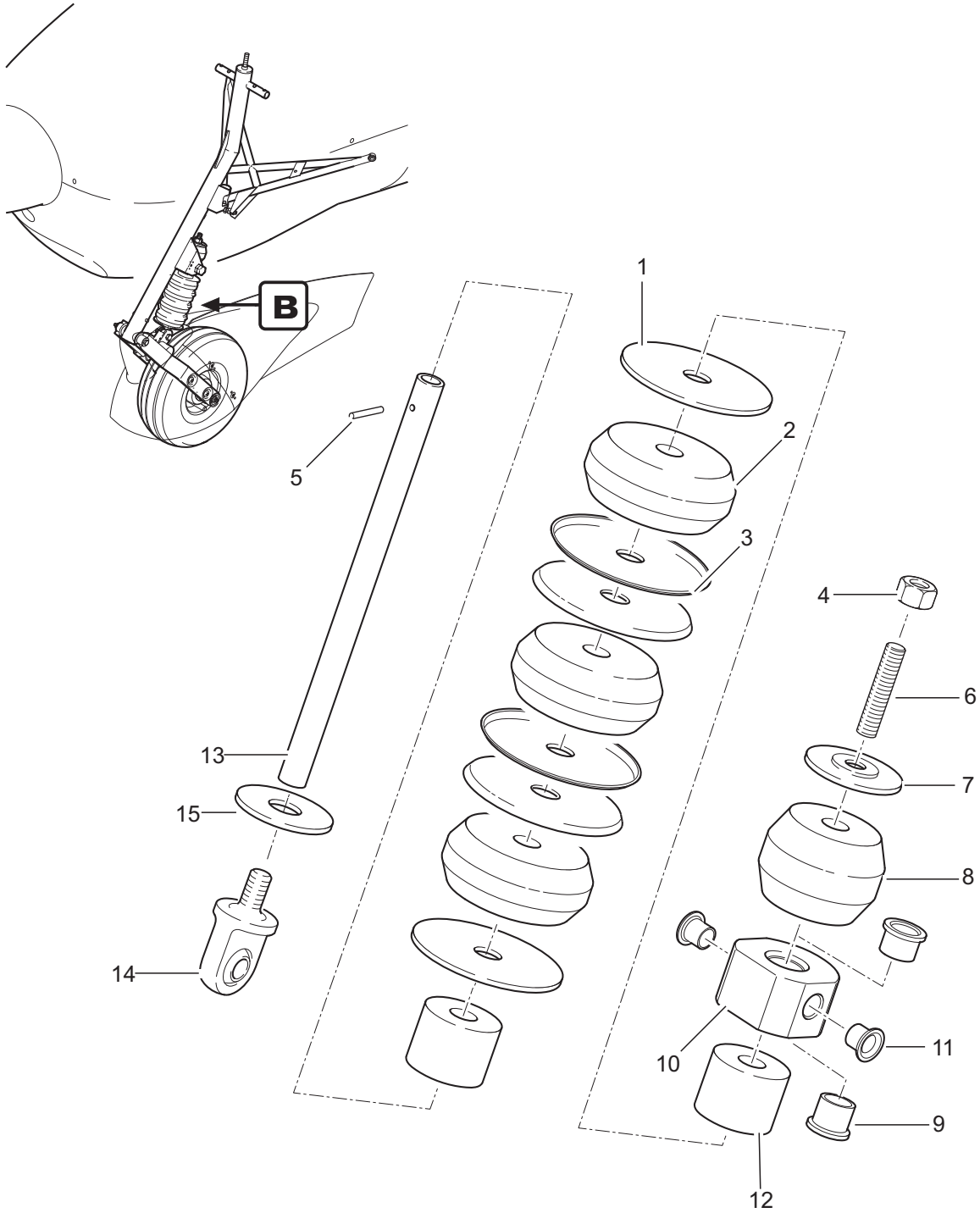
Detail- **B**

Fig. Item	QTY	Part Number	Nomenclature	Effectivity
5A			Damper Assembly	AT01-100
1	2	AT01-5140-102	damper plate	
2	4	AT01-5140-104	main rubber element	
3	6	AT01-5140-103	plate	
4	1	1800985_M10	locknut (ISO 10511 M10)	
5	1	1801473 FST 3x12	grooved pin (DIN 1473 3x12)	
6	1	AT01-5140-106	threaded insert	
7	1	AT01-5140-113	pressure disc	
8	1	AT01-5140-105	rebound rubber element	
9	2	1850033	collar bushing	
10	1	AT01-5140-108	glide element	
11	2	1850013	collar bushing	
12	1	AT01-5140-109	spacer	
13	1	AT01-5140-101	guide tube	
14	1	AT01-5140-005	swivel head	
15	1	AT01-5140-112	pressure disc	

Service Kits & Tools

AT01-5140-001-096	damper assembly (4 rubber elements / including items 1-15)
-------------------	--

- Item not illustrated



Detail- **B**

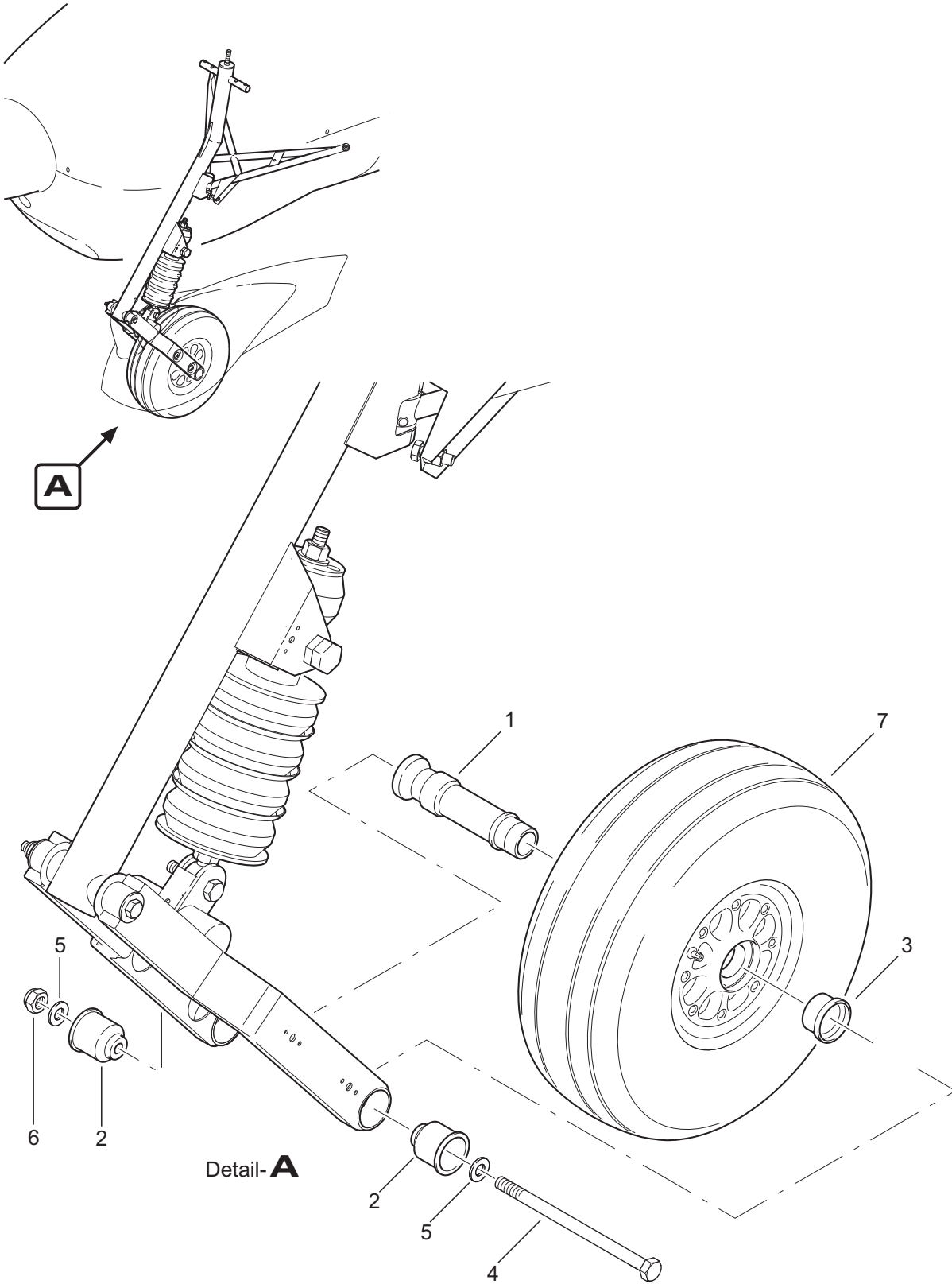
Fig. Item	QTY	Part Number	Nomenclature	Effectivity
5B			Damper Assembly	AT01-200 ¹⁾
1	2	AT01-5140-114	damper plate	
2	3	AT01-5140-104	main rubber element	
3	4	AT01-5140-103	plate	
4	1	1800985_M10	locknut (ISO 10511 M10)	
5	1	1801473 FST 3x12	grooved pin (DIN 1473 3x12)	
6	1	AT01-5140-106	threaded insert	
7	1	AT01-5140-113	pressure disc	
8	1	AT01-5140-105	rebound rubber element	
9	2	1850033	collar bushing	
10	1	AT01-5140-108	glide element	
11	2	1850013	collar bushing	
12	2	AT01-5140-109	spacer	
13	1	AT01-5140-101	guide tube	
14	1	AT01-5140-005	swivel head	
15	1	AT01-5140-112	pressure disc	

Service Kits & Tools

AT01-5140-006 damper assembly (3 rubber elements / including items 1-15)

¹⁾ Refer to SB-AT01-037 for installation of the reinforced nose wheel fork on the AT01-100.

- Item not illustrated



Detail- **A**

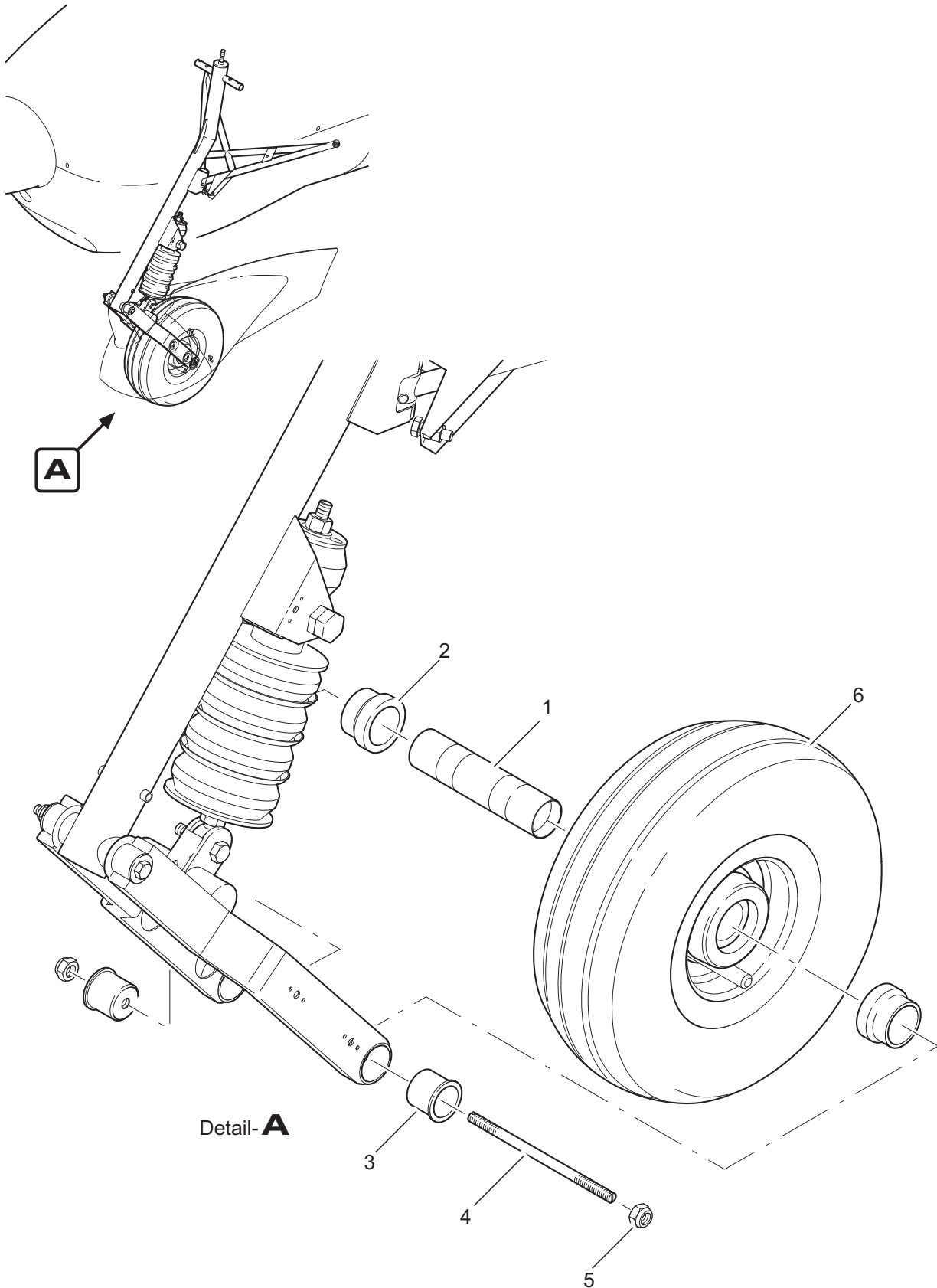
EFFECTIVITY

Aircraft equipped
with Beringer wheels

Nose Gear Wheel Installation
Figure 6A

Fig. Item	QTY	Part Number	Nomenclature	Effectivity
6A			Nose Gear Wheel Installation	Beringer
	1	AT01-5150-130	nose landing gear axle	
	2	AT01-5150-131	bearing race	
	3	AT01-5150-132	spacer sleeve	
	4	1800931_M8x140	bolt (ISO 4014 M8x140 8.8)	
	5	1800125_8,4	washer (ISO 7089 8,4x16)	
	6	1800985_M8	locknut (ISO 10511 M8)	
	7	AT01-5150-007	nose wheel Beringer RA-002 (incl. rim and tire / old version with central spacer / replaced by RA-014)	
		1 AT01-5150-008	nose wheel Beringer RA-014 (incl. rim and tire / new version without central spacer / replaces RA-002)	

- Item not illustrated



Detail- **A**

EFFECTIVITY

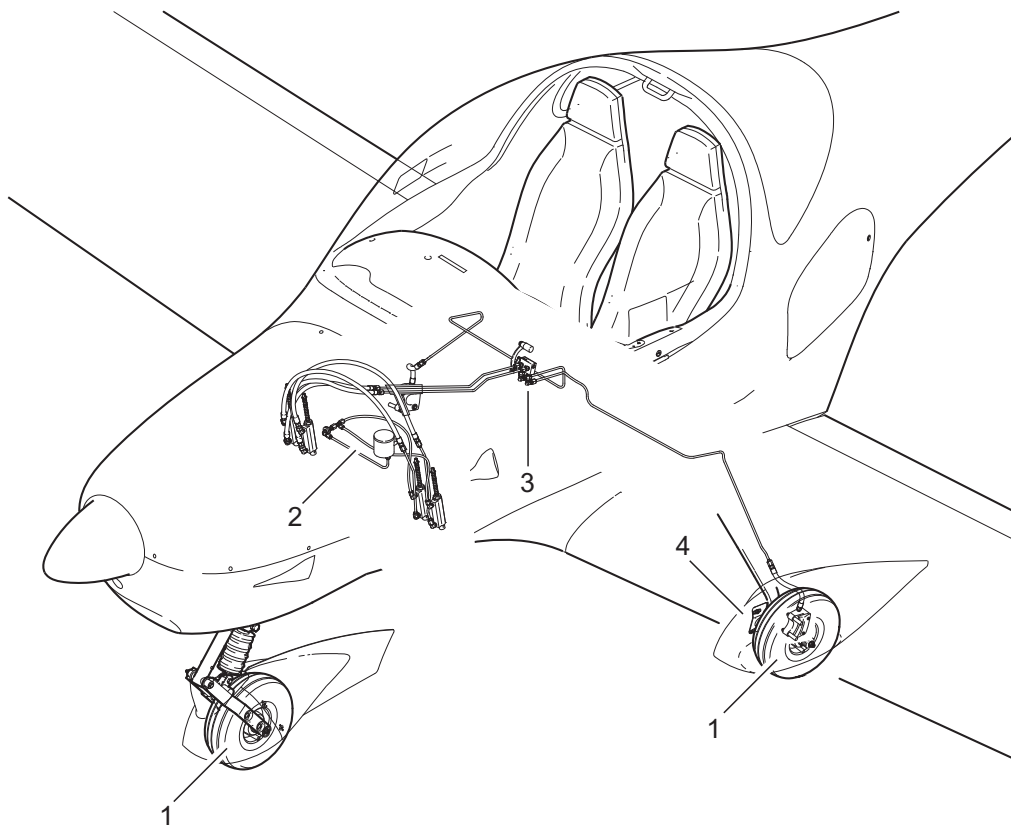
Aircraft equipped
with Cleveland/
Grove wheels

Nose Gear Wheel Installation
Figure 6B

Fig. Item	QTY	Part Number	Nomenclature	Effectivity
6B			Nose Gear Wheel Installation	Cleveland/Grove
1	1	AT01-5150-100	nose landing gear axle	
2	2	AT01-5150-102	spacer sleeve	
3	2	AT01-5150-101	bearing race	
		AT01-5150-131	bearing race (optional)	
4	1	AT01-5150-103	axle bolt	
5	2	1800980_M08_10	locknut (ISO 7042 M8 class 10)	
6	1	AT01-5150-003	nose wheel Cleveland (incl. rim and tire)	Cleveland
		AT01-5150-004	nose wheel Grove (incl. rim and tire)	Grove

- Item not illustrated

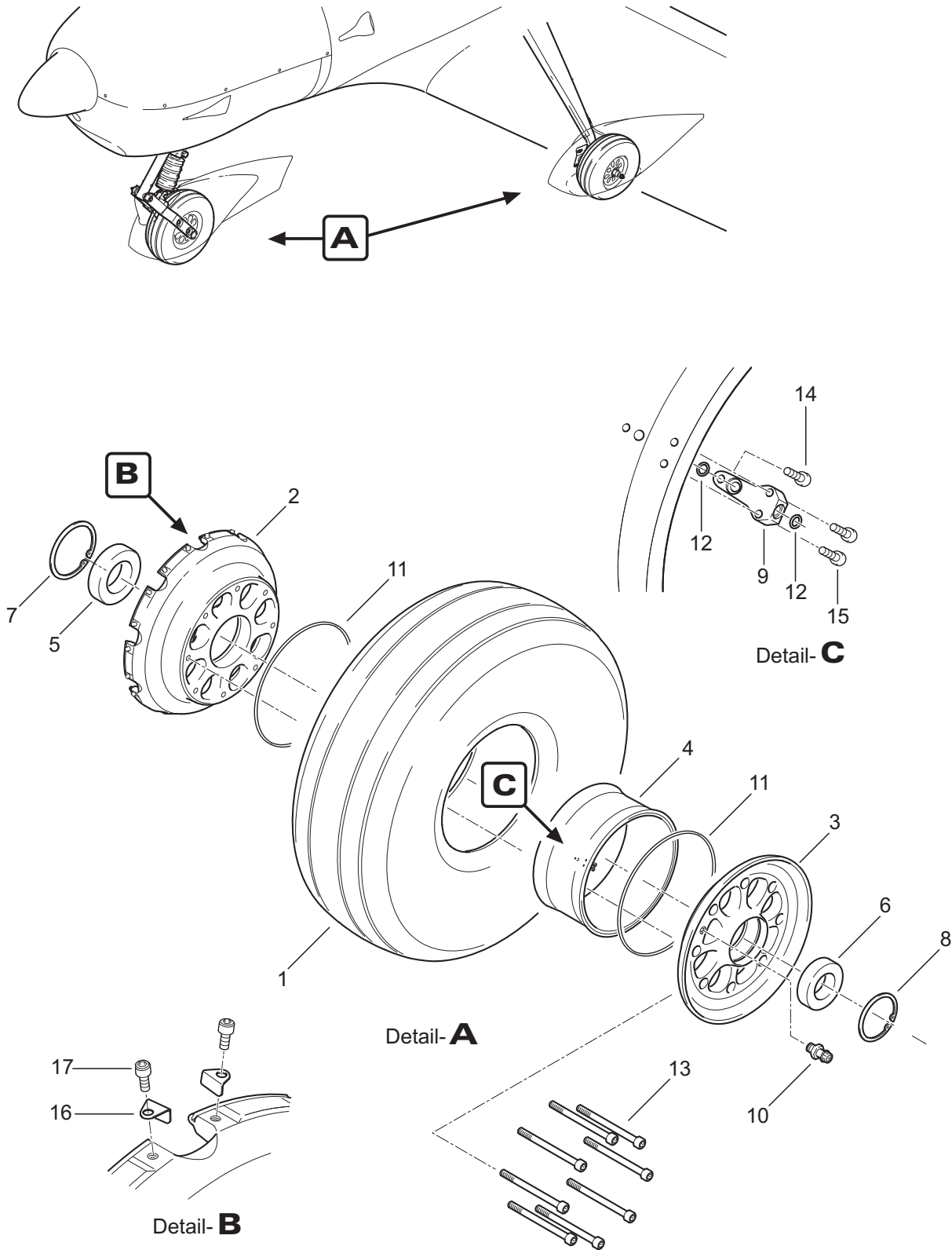
WHEELS AND BRAKES



Wheels and Brakes - General
Figure 1

Fig. Item	QTY	Part Number	Nomenclature	Effectivity
1			Wheels & Brakes - General	
	1		Wheel Assembly (refer to 32-40-00, figure 2A for details)	Beringer RF-005 / RA-002
	1		Wheel Assembly (refer to 32-40-00, figure 2B for details)	Beringer RF-018 / RA-014
	1		Wheel Assembly (refer to 32-40-00, figure 2C for details)	Cleveland/Grove
	2		Brake System Installation - Front (refer to 32-40-00, figure 3A for details)	Beringer
	2		Brake System Installation - Front (refer to 32-40-00, figure 3B for details)	Cleveland/Grove
	3		Brake System Installation - Rear (refer to 32-40-00, figure 4A for details)	Beringer
	3		Brake System Installation - Rear (refer to 32-40-00, figure 4B for details)	Cleveland/Grove
	4		Brake Caliper Assembly (refer to 32-40-00, figure 5A for details)	Beringer
	4		Brake Caliper Assembly (refer to 32-40-00, figure 5B for details)	Cleveland/Grove

- Item not illustrated

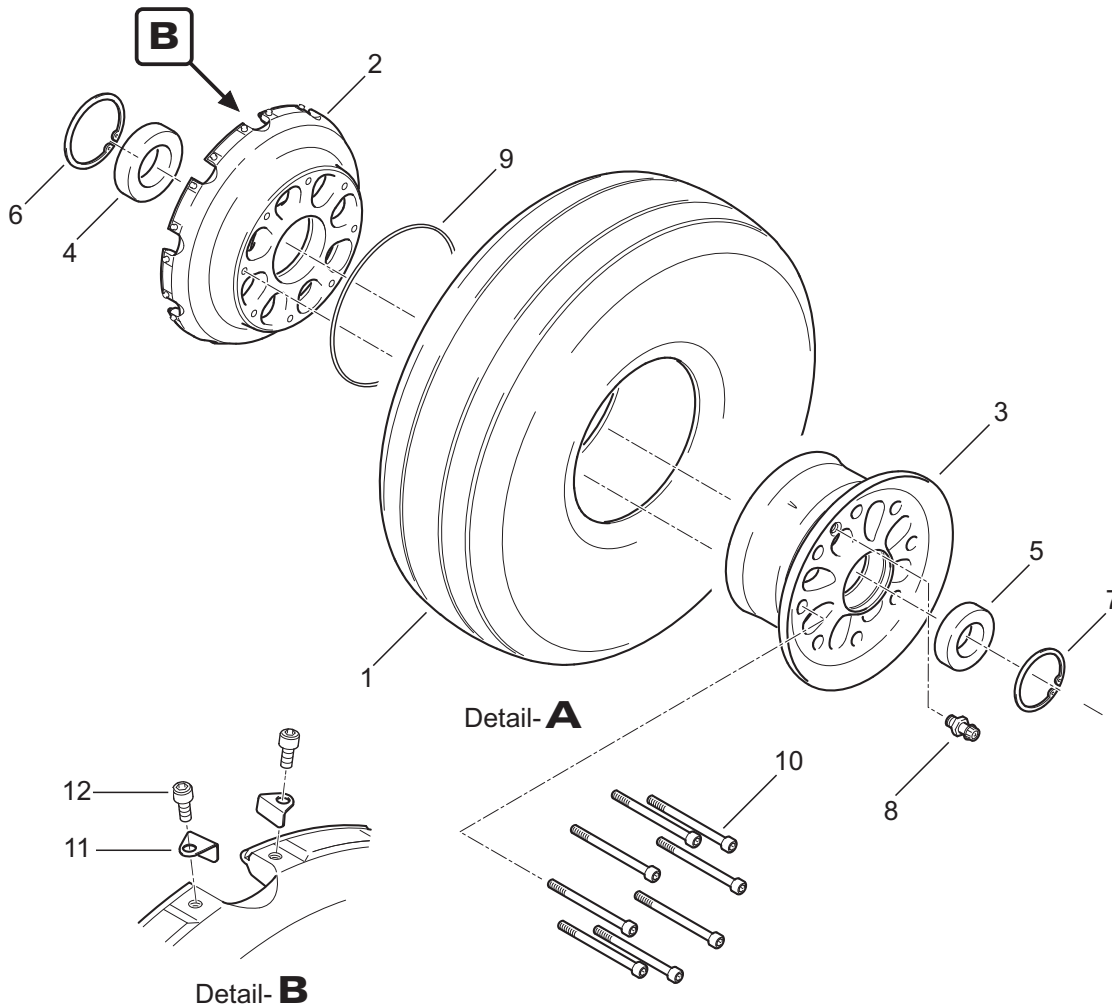
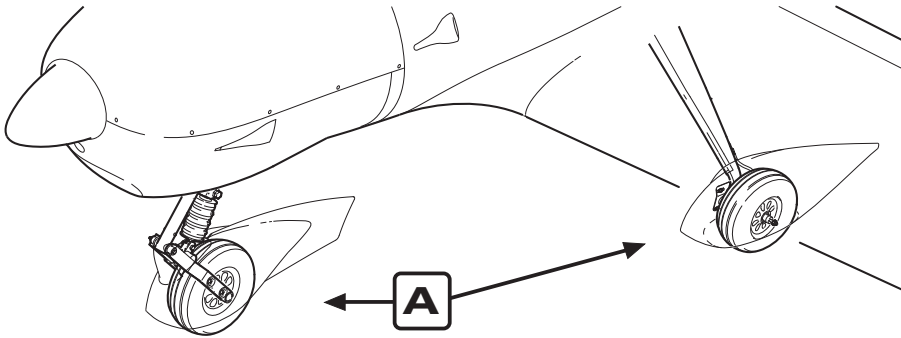


EFFECTIVITY
 Aircraft equipped
 with Beringer wheels
 RF-005 / RA-002

Wheel Assembly
 Figure 2A

Fig. Item	QTY	Part Number	Nomenclature	Effectivity
2A			Wheel Assembly	Beringer RF-005 / RA-002
1	1	AT01-4590-101	tire (5.00-5 / 10 ply / tubeless)	
	1	AT01-4590-104	tire (5.00-5 / 8 ply / tubeless / optional)	
2	1	AT01-5040-101	inner main wheel half	main wheel
-2	1	AT01-5150-133	inner nose wheel half	nose wheel
3	1	AT01-5040-102	outer wheel half	
4	1	AT01-5040-103	central spacer	
5	1	AT01-5040-104	inner bearing	
6	1	AT01-5040-105	outer bearing	
7	1	AT01-5040-106	inner circlip	
8	1	AT01-5040-107	outer circlip	
9	1	AT01-5040-108	connector	
10	1	AT01-5040-109	valve	
11	2	AT01-5040-110	large O-ring	
12	2	AT01-5040-111	small O-ring	
13	8	AT01-5040-112	bolt	
14	1	AT01-5040-113	assembly screw	
15	2	AT01-5040-114	assembly screw	
16	20	AT01-5040-115	clip	main wheel
17	20	AT01-5040-116	clip screw	main wheel
<u>Service Kits & Tools</u>				
		AT01-5040-004	main wheel Beringer RF-005 (incl. rim, brake disc & tire)	main wheel
		AT01-5150-007	nose wheel Beringer RA-002 (incl. rim & tire)	nose wheel
		1391108	tire change tool for Beringer wheels	

- Item not illustrated



EFFECTIVITY

Aircraft equipped
with Beringer wheels
RF-018 / RA-014

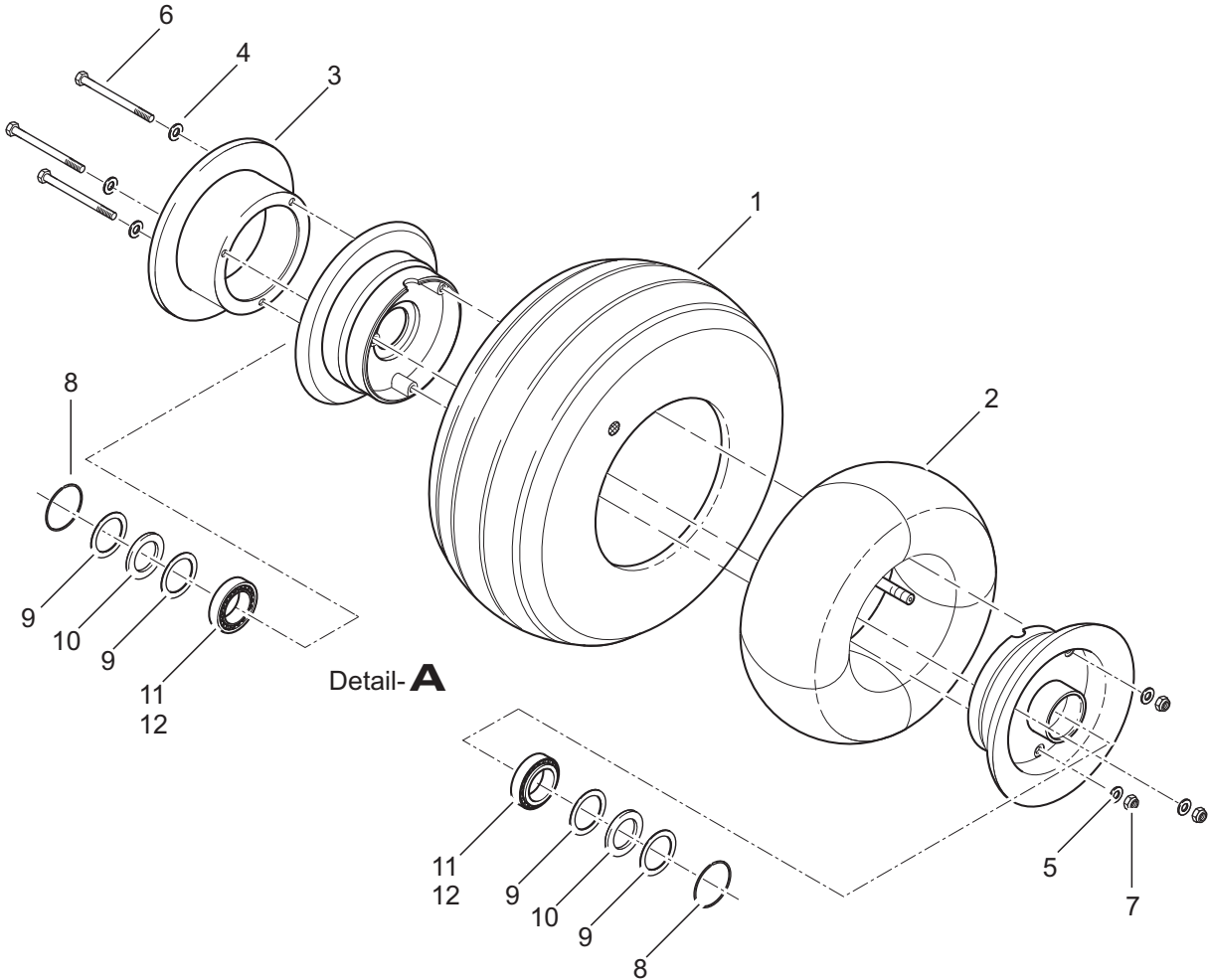
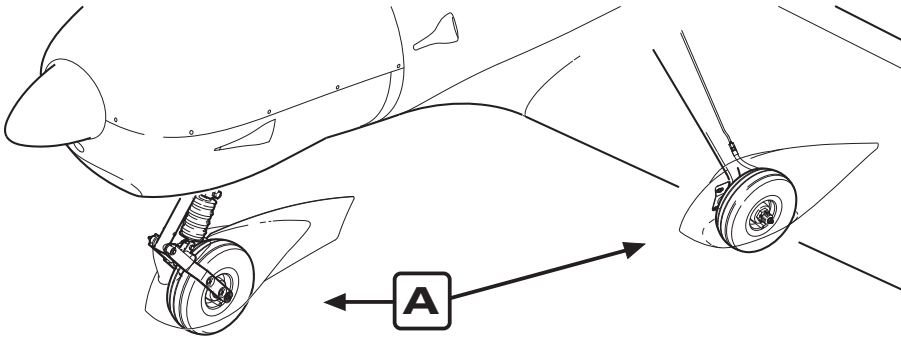
Wheel Assembly
Figure 2B

Fig. Item	QTY	Part Number	Nomenclature	Effectivity
2B			Wheel Assembly	Beringer RF-018 / RA-014
1	1	AT01-4590-104	tire (5.00-5 / 8 ply / tubeless)	
2	1	AT01-5040-122	inner main wheel half	main wheel
-2	1	AT01-5150-134	inner nose wheel half	nose wheel
3	1	AT01-5040-120	outer wheel half	
4	1	AT01-5040-104	inner bearing	
5	1	AT01-5040-105	outer bearing	
6	1	AT01-5040-106	inner circlip	
7	1	AT01-5040-107	outer circlip	
8	1	AT01-5040-109	valve	
9	1	AT01-5040-110	large O-ring	
10	8	AT01-5040-119	bolt	
11	20	AT01-5040-121	clip	main wheel
12	20	AT01-5040-116	clip screw	main wheel

Service Kits & Tools

AT01-5040-005	main wheel Beringer RF-018 (incl. rim, brake disc & tire)
AT01-5150-008	nose wheel Beringer RA-014 (incl. rim & tire)
1391108	tire change tool for Beringer wheels

- Item not illustrated



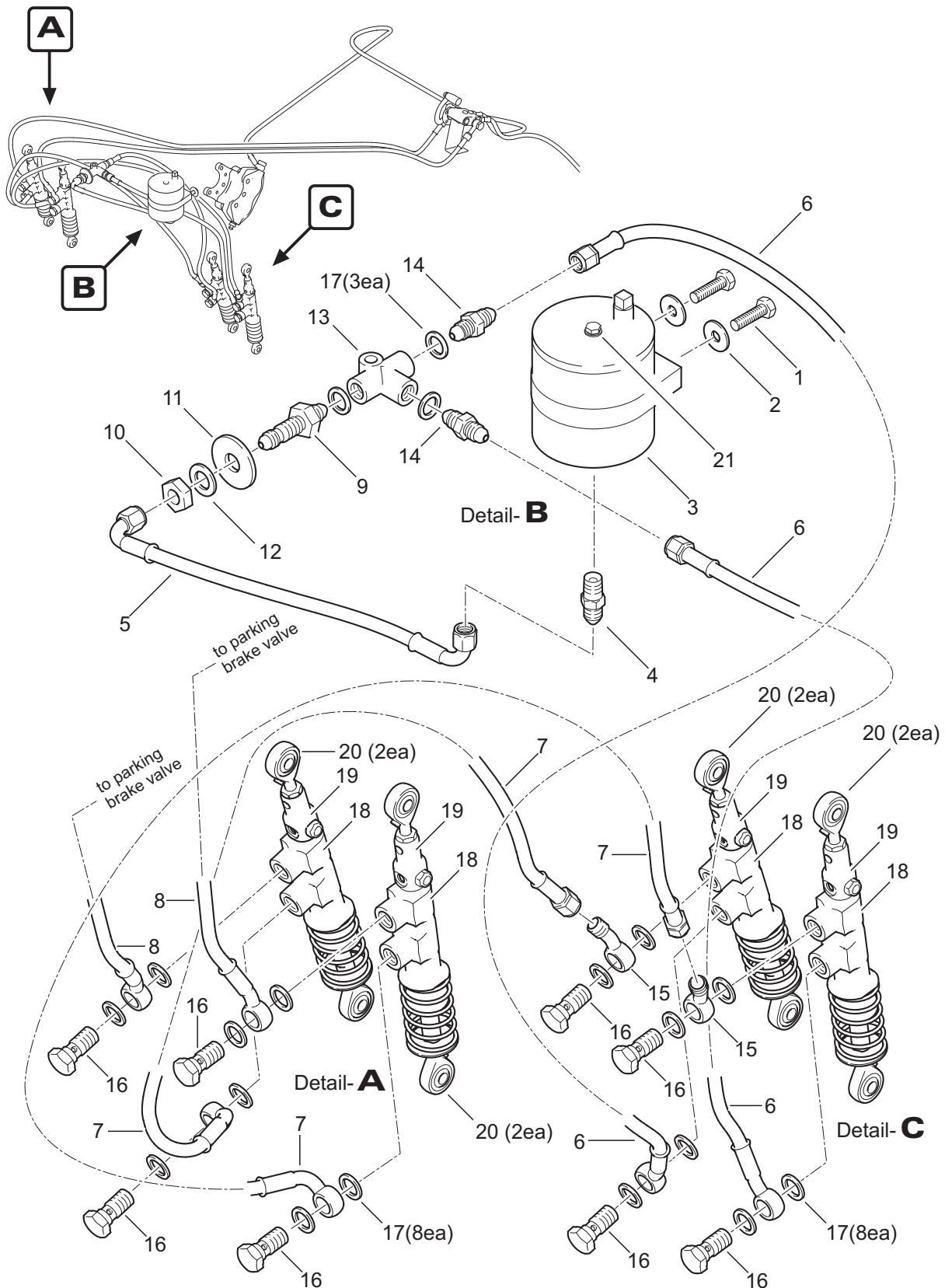
EFFECTIVITY

Aircraft equipped
with Cleveland/
Grove wheels

Wheel Assembly
Figure 2C

Fig. Item	QTY	Part Number	Nomenclature	Effectivity
2C			Wheel Assembly	Cleveland/Grove
1	1	AT01-4590-102	tire Michelin	Michelin
		AT01-4590-103	tire Goodyear	Goodyear
2	1	AT01-4590-112	tube Michelin (use with Michelin tires only)	Michelin
		AT01-4590-113	tube Goodyear (use with Goodyear tires only)	Goodyear
		<u>Cleveland wheels</u>		Cleveland
3	1	AT01-5020-100	brake disc	main wheel
4	3	AT01-5020-357	washer (AN960-416L)	nose wheel
5	3	AT01-5020-357	washer (AN960-416L)	
6	3	AT01-5020-355	bolt (AN4-22A)	
7	3	AT01-5020-356	nut (MS21042-4)	
8	2	155-00200	retaining ring	
9	4	153-00800	ring grease seal	
10	2	154-00600	felt grease seal	
11	2	214-00300	cup bearing	main wheel
		AT01-5150-200	cup bearing	nose wheel
12	2	214-00400	cone bearing	main wheel
		AT01-5150-201	cone bearing	nose wheel
		<u>Grove wheels</u>		Grove
3	1	AT01-5020-302	brake disc	main wheel
4	3	AT01-5020-357	washer (AN960-416L)	nose wheel
5	3	AT01-5020-366	washer (AN960-416)	main wheel
		AT01-5020-357	washer (AN960-416L)	nose wheel
6	3	AT01-5020-365	bolt (AN4-23A)	main wheel
		AT01-5020-355	bolt (AN4-22A)	nose wheel
7	3	AT01-5020-370	nut (MS21044-N4)	
8	2	AT01-5020-362	retaining ring	
9	4	AT01-5020-363	ring grease seal	
10	2	AT01-5020-364	felt grease seal	
11	2	AT01-5150-200	cup bearing	
12	2	AT01-5150-201	cone bearing	
		<u>Service Kits & Tools</u>		
		AT01-5040-001	main wheel Cleveland (incl. rim, brake disc, tire & tube)	Cleveland
		AT01-5150-003	nose wheel Cleveland (incl. rim, tire & tube)	Cleveland
		AT01-5040-003	main wheel Grove (incl. rim, brake disc, tire & tube)	Grove
		AT01-5150-004	nose wheel Grove (incl. rim, tire & tube)	Grove

- Item not illustrated

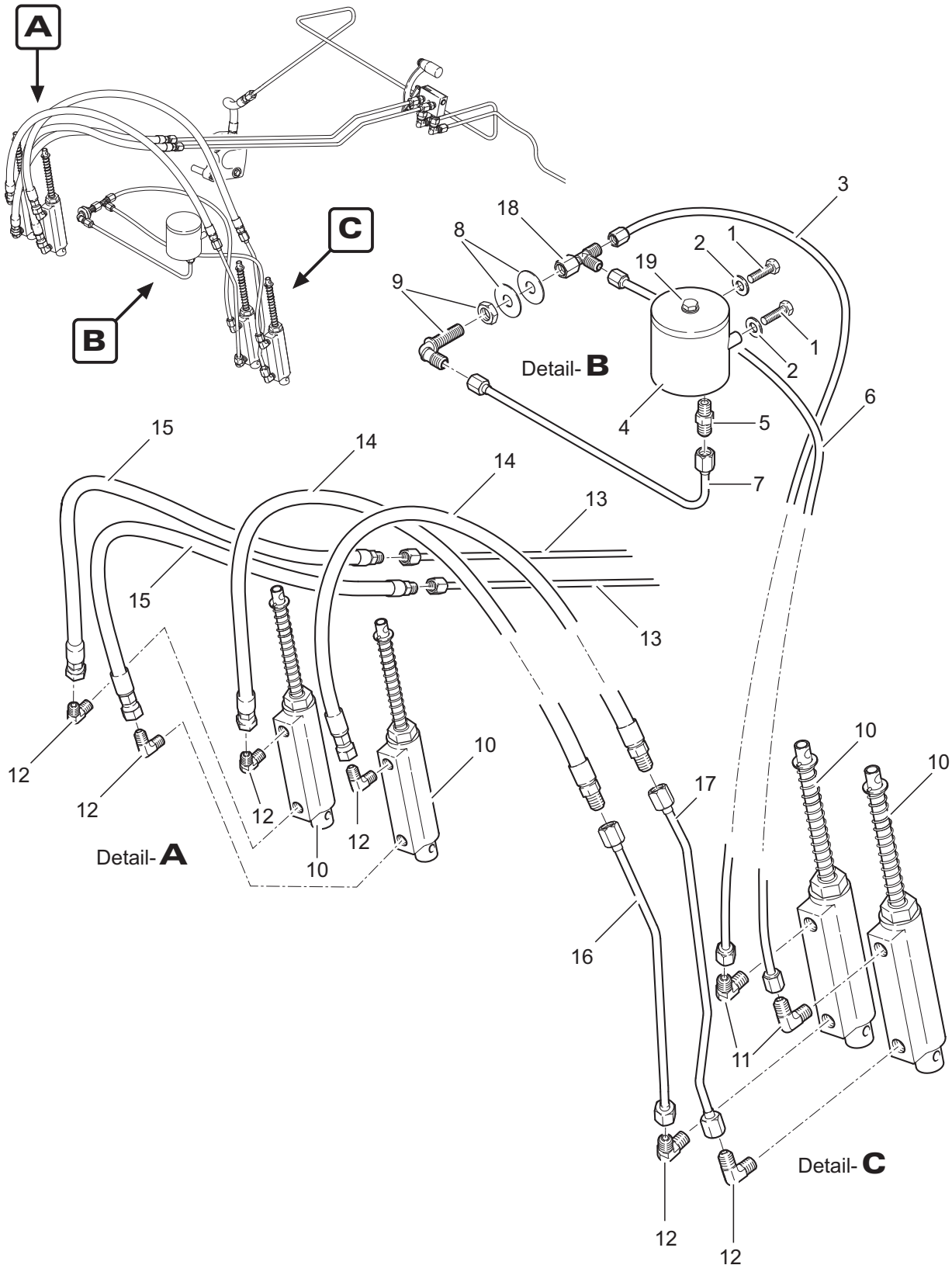


EFFECTIVITY
Aircraft equipped
with Beringer wheels

Brake System Installation - Front
Figure 3A

Fig. Item	QTY	Part Number	Nomenclature	Effectivity
3A			Brake System Installation - Front	Beringer
1	2	1800933_M6x20	bolt (ISO 4017 M6x20 8.8)	
2	2	1809021_6,4	washer (ISO 7093 6,4x18)	
3	1	AT01-5020-102	brake fluid reservoir	
4	1	AT01-4520-302	fitting 1/8"NPTF - 3/8"UNF	
5	1	AT01-5020-023	brake hose reservoir / bulkhead	300-366, 368-369
	1	AT01-5020-034	brake hose reservoir / bulkhead (modified firewall)	367, 370-999
6	2	AT01-5020-024	brake hose bulkhead / pilot	
7	2	AT01-5020-027	brake hose pilot / co-pilot	
8	2	AT01-5020-028	brake hose co-pilot / parking brake valve	
9	1	AT01-4520-303	bulkhead fitting	
10	1	AT01-4520-304	bulkhead fitting nut	
11	1	AT01-4540-103	washer (10,5x30x1,5)	
12	1	1800433_10,5	washer (ISO 7092 10,5x18)	
13	1	AT01-4520-286	T-fitting (replaced by item 22)	
14	2	AT01-4520-293	fitting 3/8"UNF (replaced by item 22)	
15	2	AT01-4520-291	banjo fitting 20° 3/8"UNF	
16	8	AT01-4520-294	banjo bolt	
17	19	AT01-4520-295	copper sealing	
18	4	AT01-6040-145	brake master cylinder Beringer	
19	4	AT01-6040-146	extender	
20	8	AT01-6040-147	rod end	
21	1	AT01-5020-623	sealing washer	
-22	1	AT01-4520-374	T-fitting (replaces items 13, 14 and 3x 17)	

- Item not illustrated

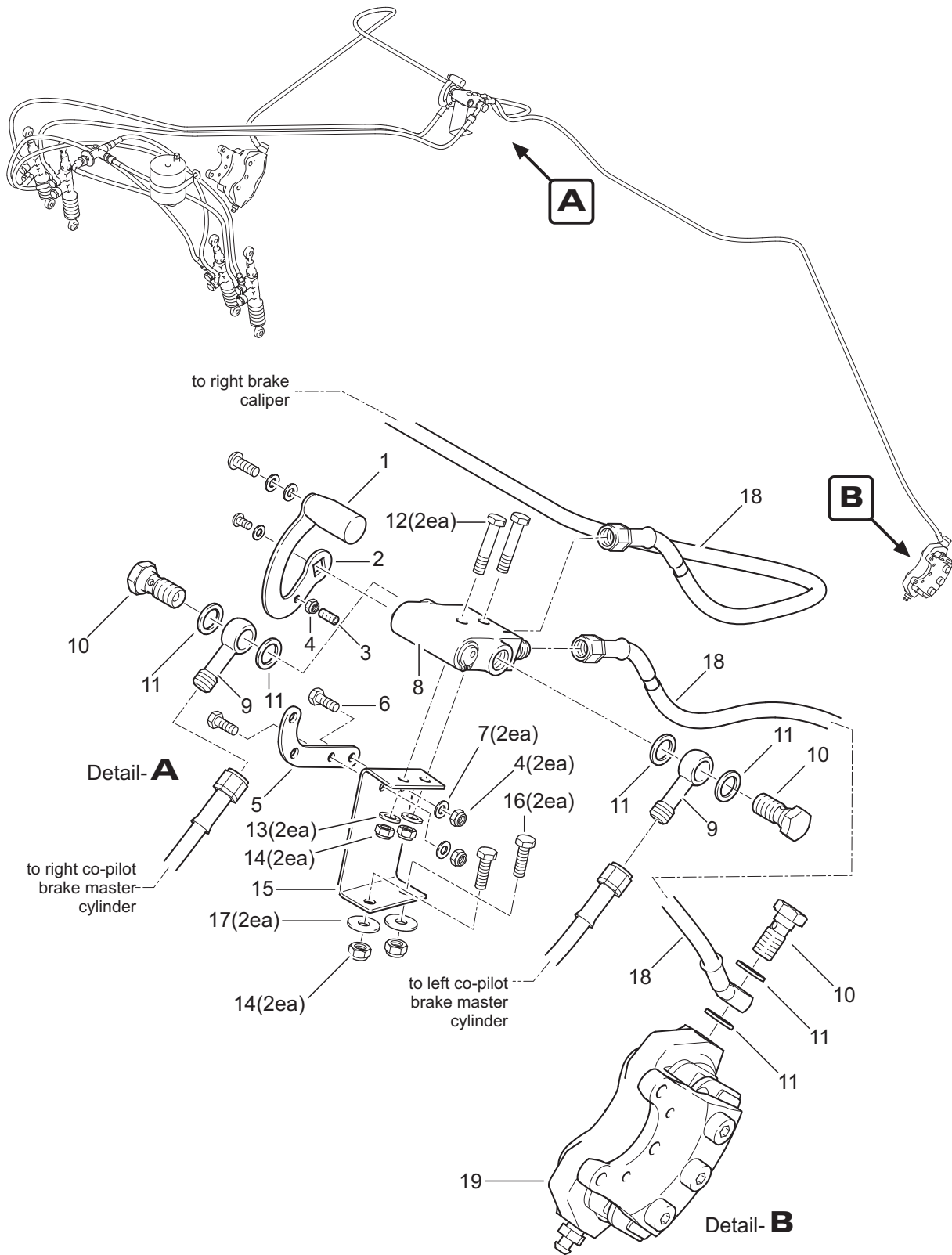


EFFECTIVITY
 Aircraft equipped
 with Cleveland/
 Grove wheels

Brake System Installation - Front
 Figure 3B

Fig. Item	QTY	Part Number	Nomenclature	Effectivity
3B			Brake System Installation - Front	Cleveland/Grove
1	2	1800933_M6x20	bolt (ISO 4017 M6x20 8.8)	
2	2	1809021_6,4	washer (ISO 7093 6,4x18)	
3	1	AT01-4520-420	PTFE hose	
4	1	AT01-5020-102	brake fluid reservoir	
5	1	AT01-4520-235	fitting	
6	1	AT01-4520-420	PTFE hose	
7	1	AT01-5020-002	brake line	300-366, 368-369
		AT01-5020-035	brake line	367, 370-999
		AT01-4520-160	elbow fitting	367, 370-999
8	2	1809022_12,5x35	washer (DIN 9022 12,5x35)	
9	1	AT01-4520-208	bulkhead elbow	
10	4	AT01-6040-106	brake master cylinder Cleveland	Cleveland
- 10	4	AT01-6040-138	brake master cylinder Matco	Matco
11	2	AT01-4520-207	elbow	
12	6	AT01-4520-204	elbow	
13	2	AT01-5020-015	brake line	
14	2	AT01-5020-012	brake hose	
15	2	AT01-5020-013	brake hose	
16	1	AT01-5020-011	brake line RH	
17	1	AT01-5020-009	brake line LH	
18	1	AT01-4520-232	T-fitting	
19	1	AT01-5020-623	sealing washer	

- Item not illustrated

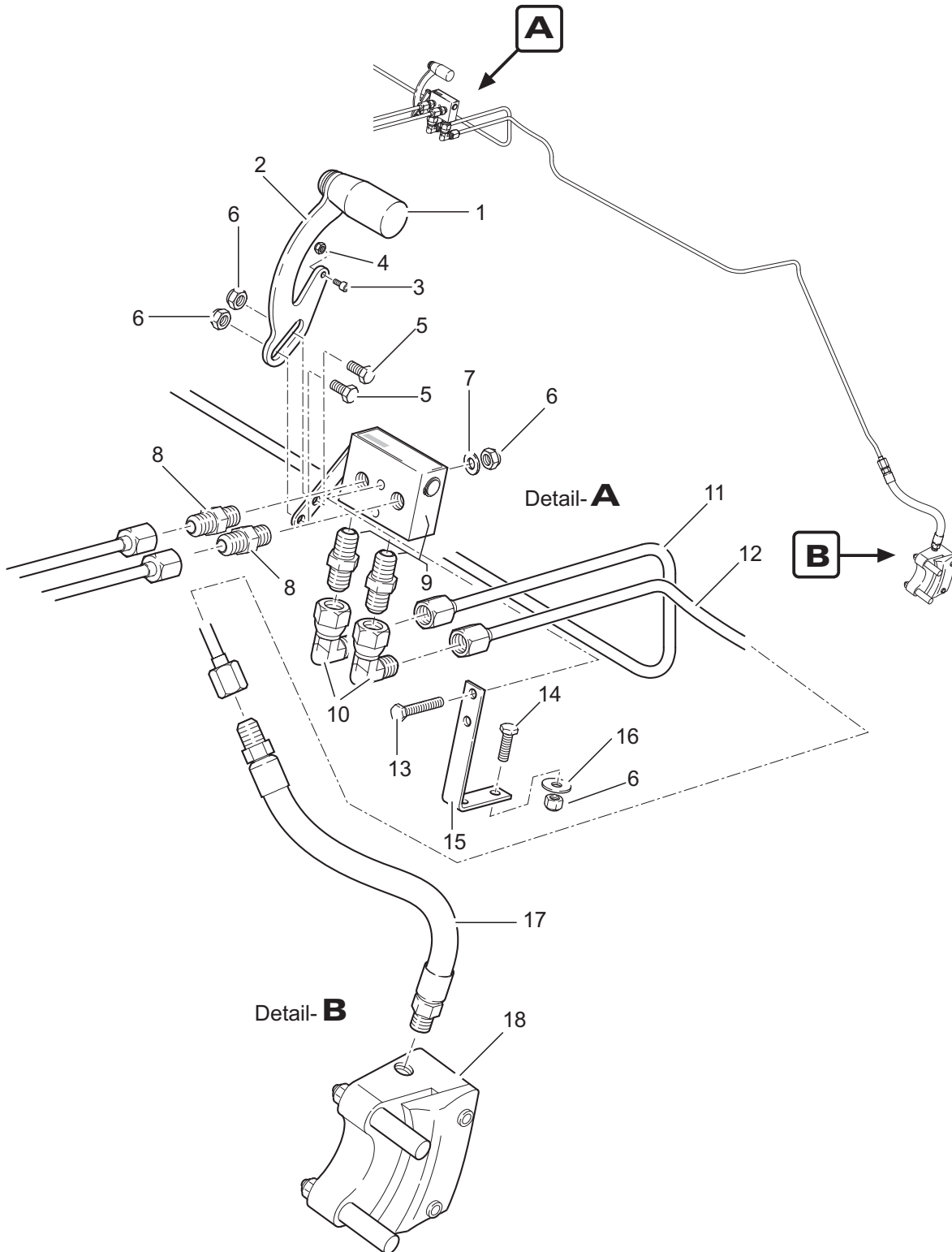


EFFECTIVITY
 Aircraft equipped
 with Beringer wheels

Brake System Installation - Rear
 Figure 4A

Fig. Item	QTY	Part Number	Nomenclature	Effectivity
4A			Brake System Installation - Rear	Beringer
1	1	AT01-1860-612	knob	
2	1	AT01-5020-120	parking brake valve lever (contained in parking brake valve)	
3	1	AT01-1860-111	plunger M4x9	
4	3	1800985_M4	locknut (ISO 10511 M4)	
5	1	AT01-5020-121	catch plate	
6	2	1800933_M4x10	bolt (ISO 4017 M4x10 8.8)	
7	2	1800125_4,3	washer (ISO 7089 4,3x9)	
8	1	AT01-5020-154	parking brake valve Beringer (incl. lever)	
9	2	AT01-4520-305	banjo fitting	
10	4	AT01-4520-294	banjo bolt	
11	8	AT01-4520-295	copper sealing	
12	2	1800933_M5x25	bolt (ISO 4017 M5x25 8.8)	
13	2	1800125_5,3	washer (ISO 7089 5,3x10)	
14	4	1800985_M5	locknut (ISO 10511 M5)	
15	1	AT01-5020-119	fixing bracket	
16	2	1800933_M5x16	bolt (ISO 4017 M5x16 8.8)	
17	2	1809021_5,3	washer (ISO 7093 5,3x15)	
18	2	AT01-5020-031	brake hose parking brake valve / brake caliper	
19	2	AT01-5020-033	brake caliper Beringer (modified)	

- Item not illustrated

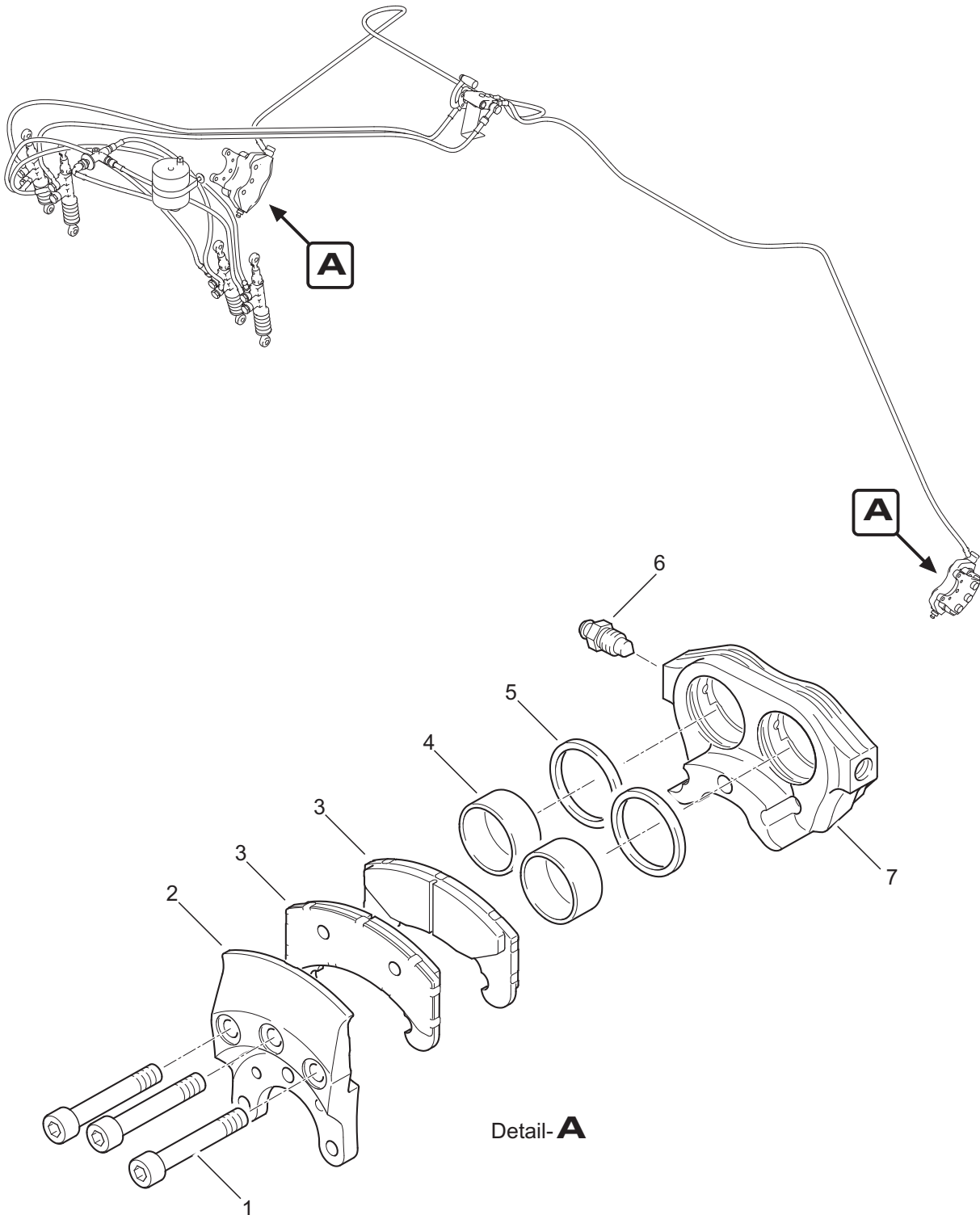


EFFECTIVITY
 Aircraft equipped
 with Cleveland/
 Grove wheels

Brake System Installation - Rear
 Figure 4B

Fig. Item	QTY	Part Number	Nomenclature	Effectivity
4B			Brake System Installation - Rear	Cleveland/Grove
1	1	AT01-1860-612	knob	
2	1	AT01-5020-106	lever	
3	1	AT01-1860-111	plunger M4x9	
4	1	1800985_M4	locknut (ISO 10511 M4)	
5	2	1800933_M5x12	bolt (ISO 4017 M5x12 8.8)	
6	6	1800985_M5	locknut (ISO 10511 M5)	
7	2	1800125_5,3	washer (ISO 7089 5,3x10)	
8	2	AT01-4520-235	fitting	
9	1	AT01-5020-153	parking brake valve	
10	2	AT01-4520-160	elbow	
11	1	AT01-5020-017	brake line RH	
12	1	AT01-5020-016	brake line LH	
13	2	1800933_M5x30	bolt (ISO 4017 M5x30 8.8)	
14	2	1800933_M5x16	bolt (ISO 4017 M5x16 8.8)	
15	1	AT01-5020-103	fixing bracket	
16	2	1809021_5,3	washer (ISO 7093 5,3x15)	
17	2	AT01-5020-022	brake hose	
18	2	AT01-5020-004	brake caliper Cleveland	Cleveland
		AT01-5020-340	brake caliper Grove	Grove

- Item not illustrated

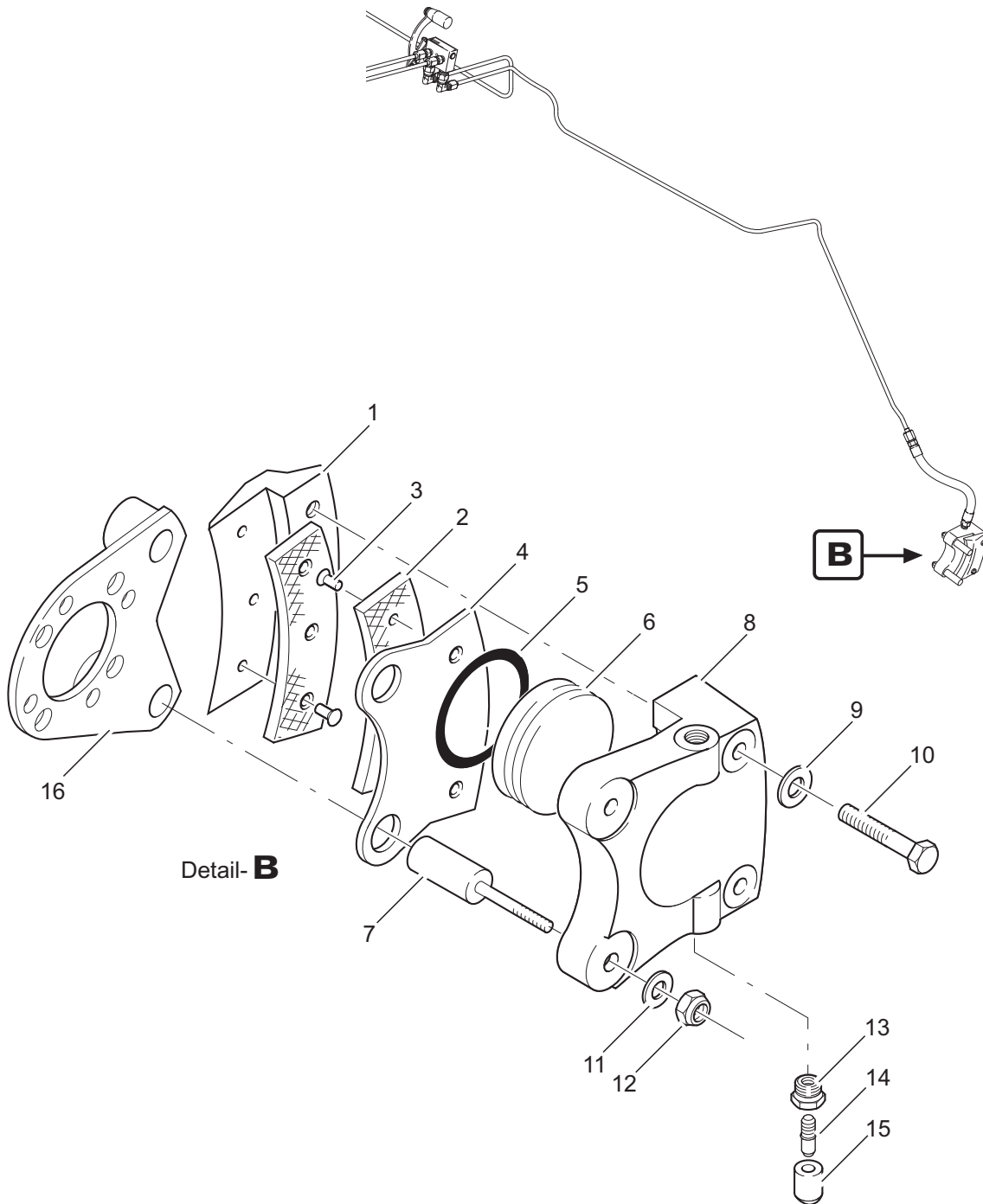


EFFECTIVITY
Aircraft equipped
with Beringer wheels

Brake Caliper Assembly
Figure 5A

Fig. Item	QTY	Part Number	Nomenclature	Effectivity
5A			Brake Caliper Assembly	Beringer
	1	3	AT01-5020-117	assembly screw
	2	1	AT01-5020-123	back plate (modified)
	3	2	AT01-5020-115	brake pad
	4	2	AT01-5020-113	piston
	5	2	AT01-5020-114	piston seal
	6	1	AT01-5020-116	bleeder
	7	1	AT01-5020-112	cylinder

- Item not illustrated



EFFECTIVITY

Aircraft equipped
 with Cleveland/
 Grove wheels

Brake Caliper Assembly
 Figure 5B

Fig. Item	QTY	Part Number	Nomenclature	Effectivity
5B			Brake Caliper Assembly	Cleveland/Grove
		<u>Cleveland calipers</u>		Cleveland
1	1	AT01-5020-611	back plate	
2	2	AT01-5020-353	lining	
3	6	AT01-5020-354	rivet	
4	1	AT01-5020-610	pressure plate	
5	1	AT01-5020-600	O-ring	
6	1	AT01-5020-612	piston	
7	2	AT01-5020-601	anchor bolt	
8	1	AT01-5020-603	cylinder	
9	2	AT01-5020-604	washer	
10	2	AT01-5020-355	bolt (AN4H15A)	
11	2	AT01-5020-605	washer	
12	2	AT01-5020-356	nut anchor (MS21044-N4)	
13	1	AT01-5020-607	seat (bleeder)	
14	1	AT01-5020-608	screw (bleeder)	
15	1	AT01-5020-609	cap (bleeder)	
16	1	AT01-5020-351	torque plate LH	
- 17	1	AT01-5020-352	torque plate RH	
		<u>Grove calipers</u>		Grove
1	1	AT01-5020-618	back plate	
2	2	AT01-5020-360	lining	
3	6	AT01-5020-361	rivet	
4	1	AT01-5020-619	pressure plate	
5	1	AT01-5020-622	O-ring	
6	1	AT01-5020-617	piston	
7	2	AT01-5020-620	torque pin	
8	1	AT01-5020-621	cylinder	
9	2	AT01-5020-366	washer	
10	2	AT01-5020-367	bolt (AN4H15A)	
11	2	AT01-5020-368	washer	
12	2	AT01-5020-369	nut anchor (MS21044-N4)	
13	1	AT01-5020-615	seat (bleeder)	
14	1	AT01-5020-615	screw (bleeder)	
15	1	AT01-5020-616	cap (bleeder)	
16	1	AT01-5020-358	torque plate LH	
- 17	1	AT01-5020-359	torque plate RH	

- Item not illustrated



AQUILA AT01-100/200
ILLUSTRATED PARTS CATALOG

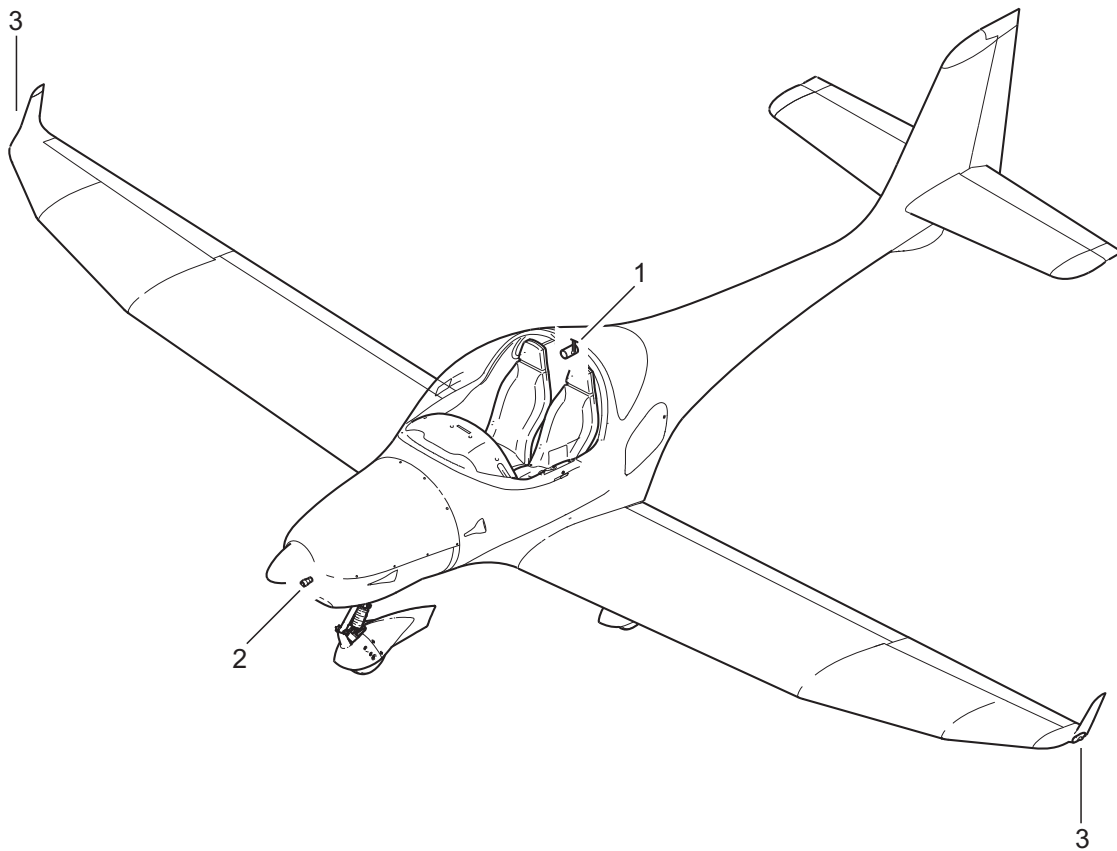
CHAPTER 33

LIGHTS

TABLE OF CONTENTS

<u>Title</u> <u>Subject</u>	<u>Chapter</u> <u>Section</u> <u>Subject</u>	<u>Page</u>	<u>Effectivity</u>
LIGHTS - GENERAL	33-00-00	1	
Lights - General	33-00-00	2	
INTERIOR LIGHTS	33-10-00	1	
Cabin Light	33-10-00	2	
EXTERIOR LIGHTS	33-40-00	1	
Landing Light	33-40-00	2A	Rotax 912S
Landing Light	33-40-00	2B	Rotax 914F
NAV/Strobe Light	33-40-00	4A	327 - 999
NAV/Strobe Light	33-40-00	4B	300 - 326

LIGHTS
GENERAL



Lights - General
Figure 1

Fig. Item	QTY	Part Number	Nomenclature	Effectivity
1			Lights - General	
	1		Cabin Light (refer to 33-10-00, figure 1 for details)	
	2		Landing Light (refer to 33-40-00, figure 1A for details)	Rotax 912S
	2		Landing Light (refer to 33-40-00, figure 1B for details)	Rotax 914F
	3		NAV/Strobe Light (refer to 33-40-00, figure 2A for details)	327 - 999
	3		NAV/Strobe Light (refer to 33-40-00, figure 2B for details)	300 - 326

- Item not illustrated

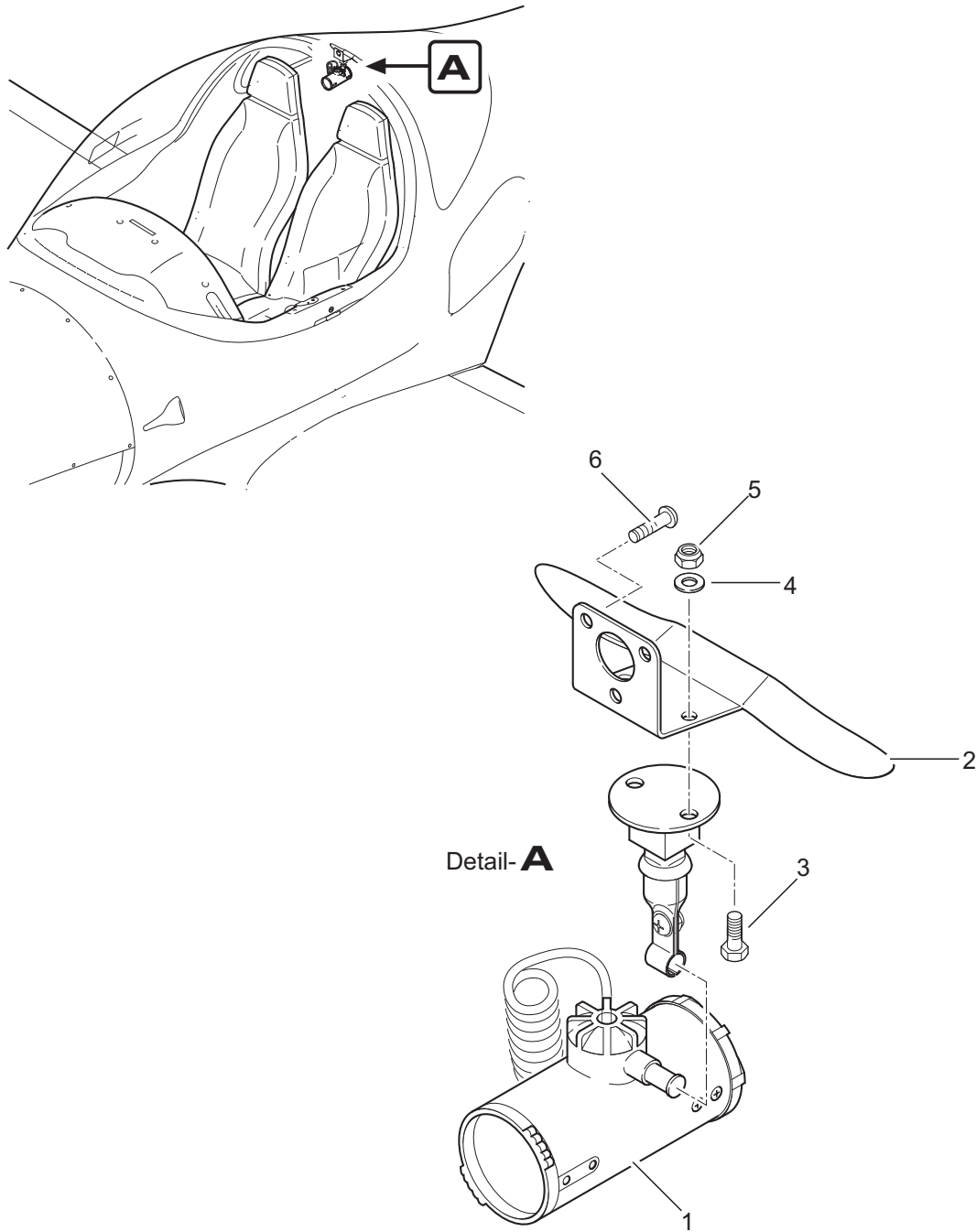
Lights - General
Figure 1

33-00-00

Page 3

04.02.21

INTERIOR LIGHTS



Cabin Light
Figure 1

Fig. Item	QTY	Part Number	Nomenclature	Effectivity
1			Cabin Light	
	1	AT01-9340-100	cockpit light C-4A	
	1	AT01-2150-123	headset bracket	
	2	1800933_M5x12	bolt (ISO 4017 M5x12 8.8)	
	2	1800125_5,3	washer (ISO 7089 5,3x10)	
	2	1800985_M5	locknut (ISO 10511 M5)	
	3	1807380_5x16ULS	bolt (ISO 7380 M5x16 ULS)	

- Item not illustrated

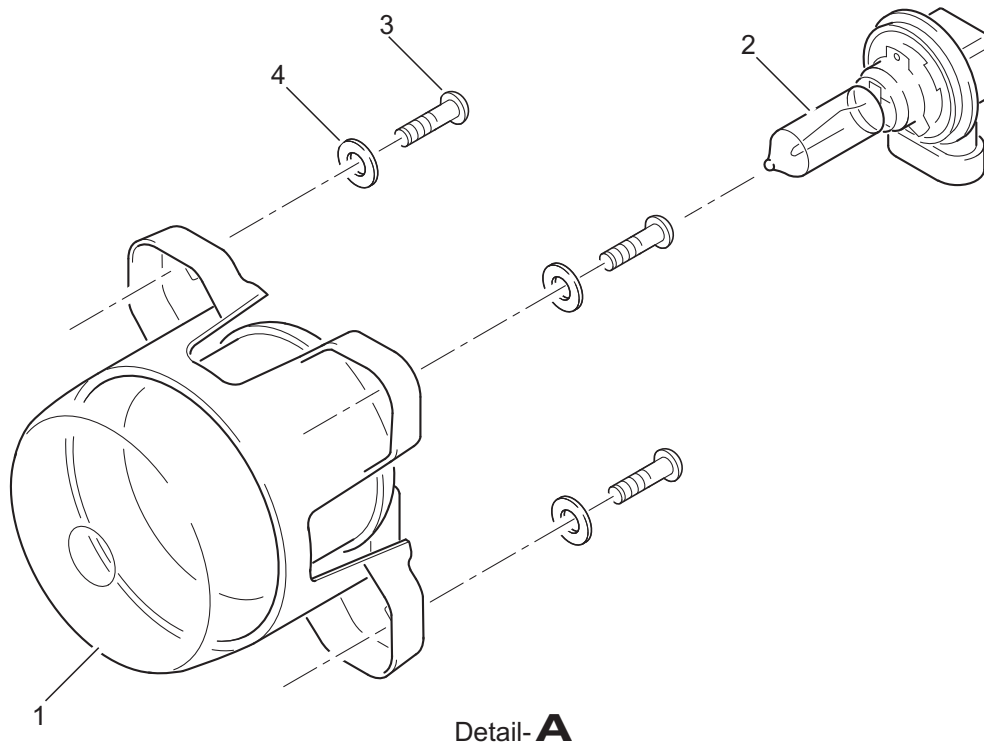
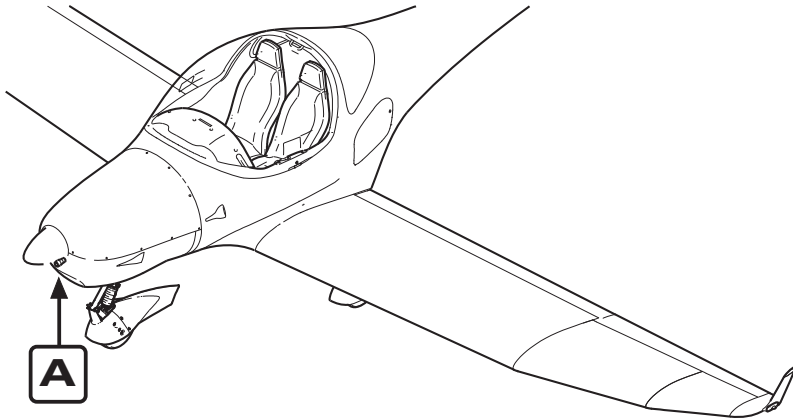
Cabin Light
Figure 1

33-10-00

Page 3

04.02.21

EXTERIOR LIGHTS



Detail- **A**

EFFECTIVITY

Aircraft equipped
with Rotax 912S

Landing Light
Figure 1A

33-40-00

Page 2A

04.02.21

Fig. Item	QTY	Part Number	Nomenclature	Effectivity
1A			Landing Light	Rotax 912S
	1	AT01-9330-003	landing light	
	2	AT01-9330-004	light bulb	
	3	1807380_M5x25ULF	bolt (ISO 7380 M5x25 ULF)	
	4	1809021_5,3	washer (ISO 7093 5,3x15)	

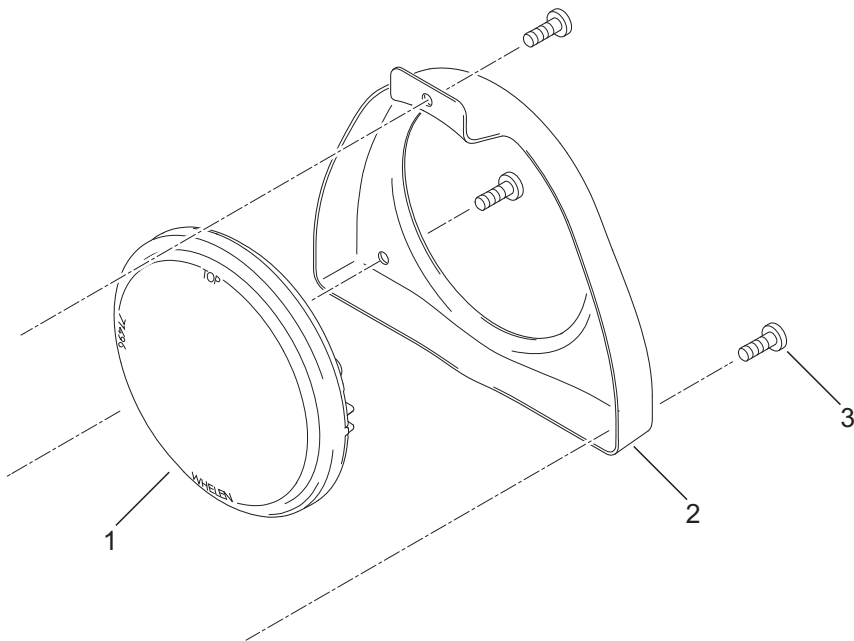
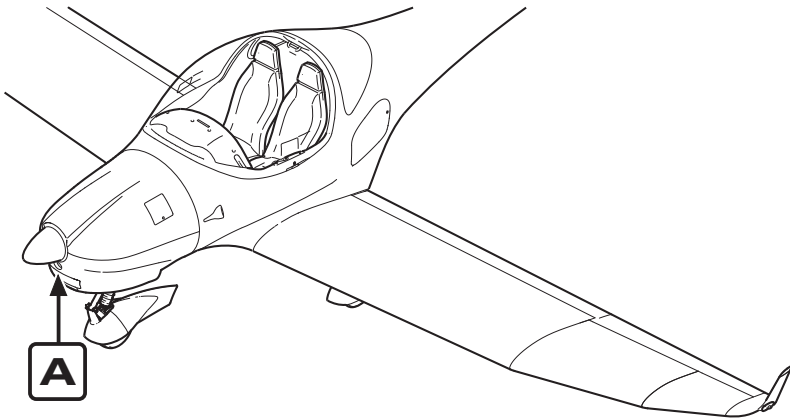
- Item not illustrated

Landing Light
Figure 1A

33-40-00

Page 3A

04.02.21



Detail-**A**

EFFECTIVITY

Aircraft equipped
with Rotax 914F

Landing Light
Figure 1B

33-40-00

Page 2B

04.02.21

Fig. Item	QTY	Part Number	Nomenclature	Effectivity
1B			Landing Light	Rotax 914F
	1	AT01-9330-104	landing light	
	2	AT01-2130-059	mounting bracket	
	3	1807380_M5x16ULF	bolt (ISO 7380 M5x16 ULF)	

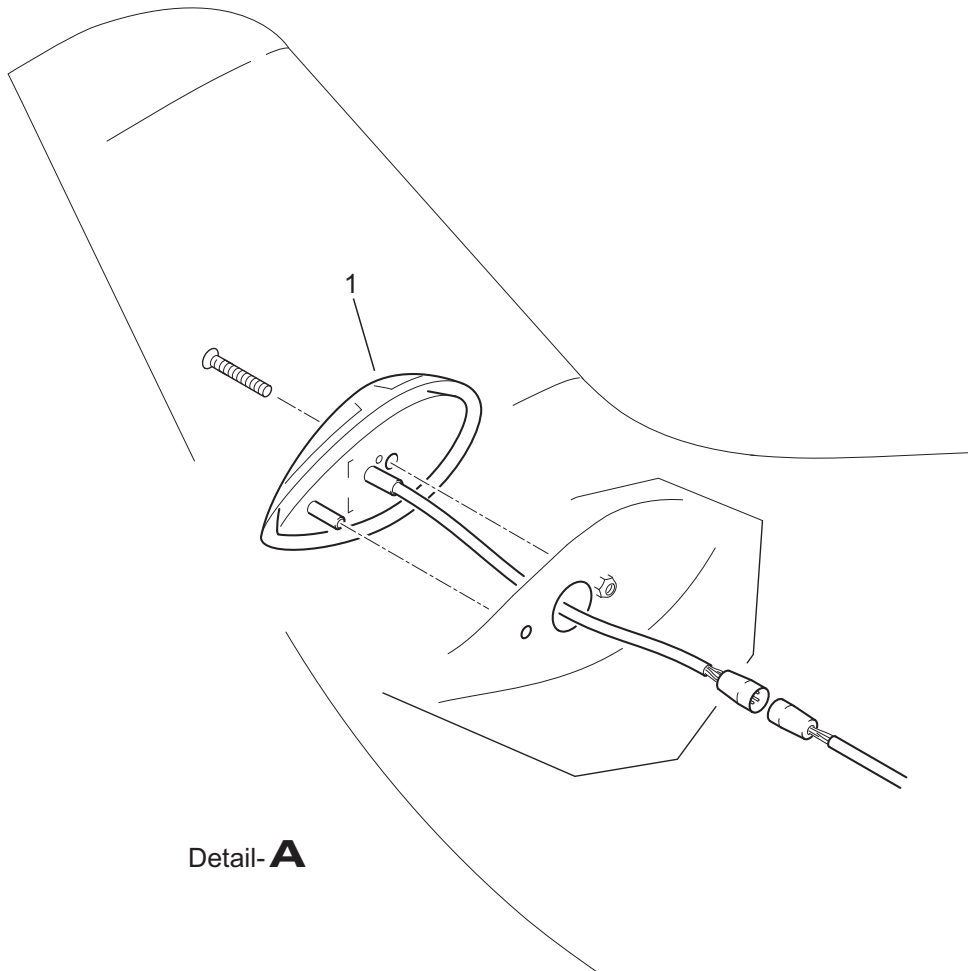
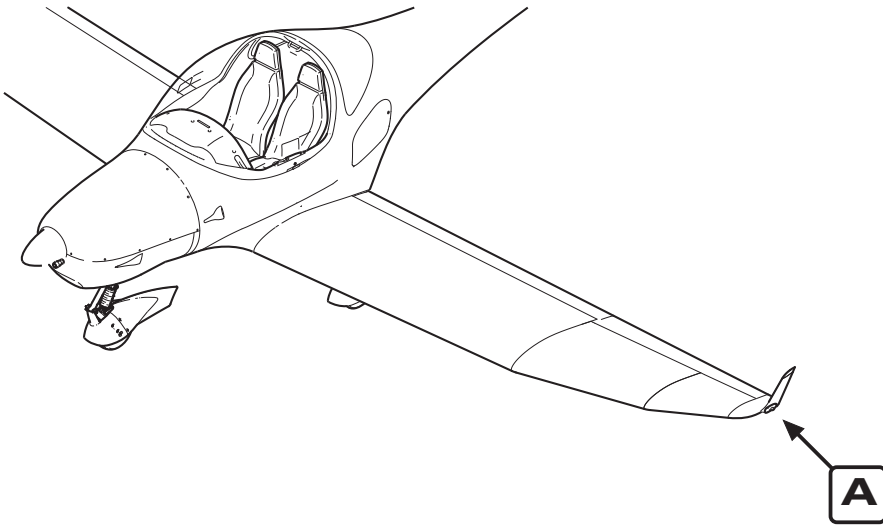
- Item not illustrated

Landing Light
Figure 1B

33-40-00

Page 3B

04.02.21



Detail-**A**



AQUILA AT01-100/200
ILLUSTRATED PARTS CATALOG

Fig. Item	QTY	Part Number	Nomenclature	Effectivity
2A			NAV/Strobe Light	327 - 999
	1	1	AT01-9310-030	NAV/strobe light LH/red (incl. attachment screw)
	-2	1	AT01-9310-031	NAV/strobe light RH/green (incl. attachment screw)

- Item not illustrated

NAV/Strobe Light
Figure 2A

33-40-00

Page 5A

04.02.21

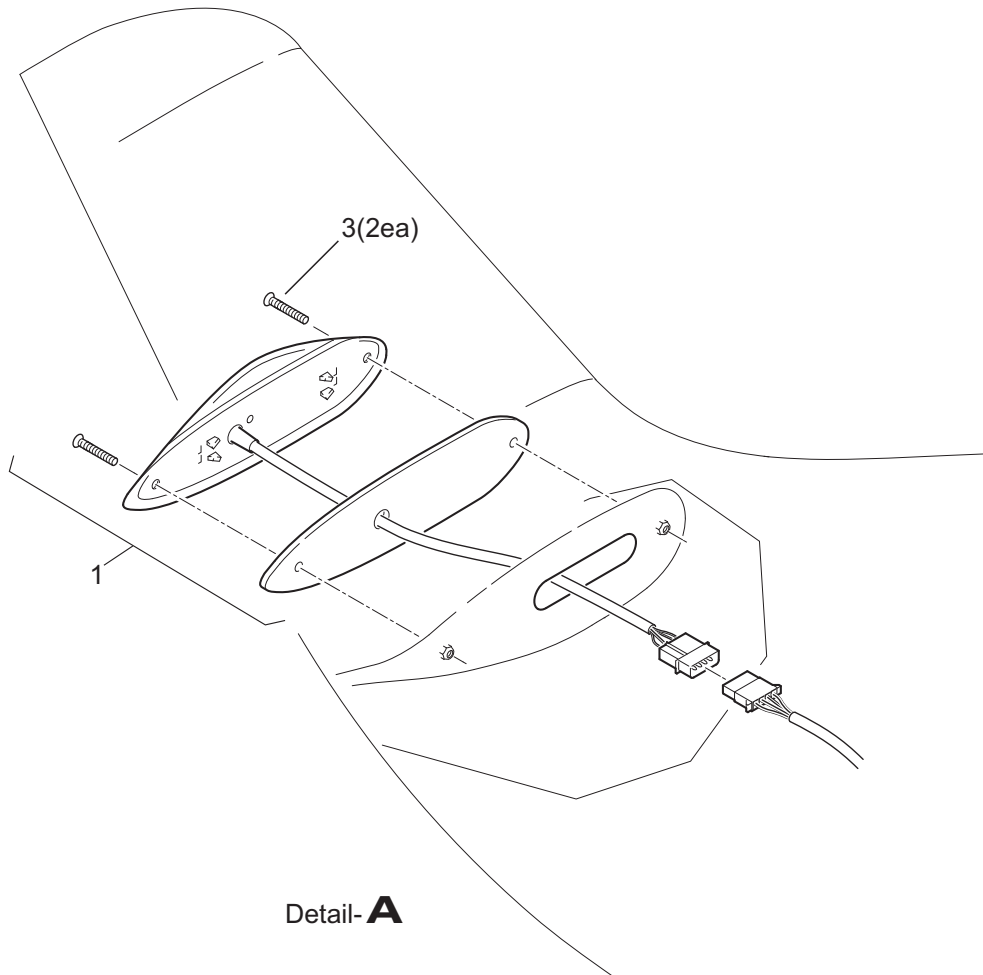
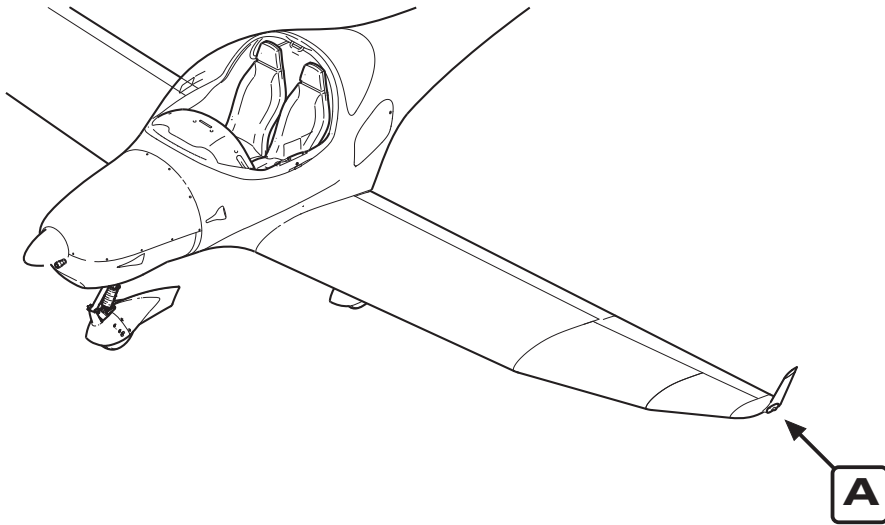


Fig. Item	QTY	Part Number	Nomenclature	Effectivity
2B			NAV/Strobe Light	300 - 326 ¹⁾
	1	AT01-9310-128	NAV/strobe light LH/red (incl. item 3)	
	-2	AT01-9310-129	NAV/strobe light RH/green (incl. item 3)	
	3	1800965_M3x20	bolt (ISO 7046 M3x20 A2)	

¹⁾Refer to SI-AT01-018 (annex 19) for a retrofit of new NAV/strobe lights.

- Item not illustrated

NAV/Strobe Light
Figure 2B

33-40-00

Page 5B

04.02.21



AQUILA AT01-100
ILLUSTRATED PARTS CATALOG

CHAPTER 55

STABILIZERS



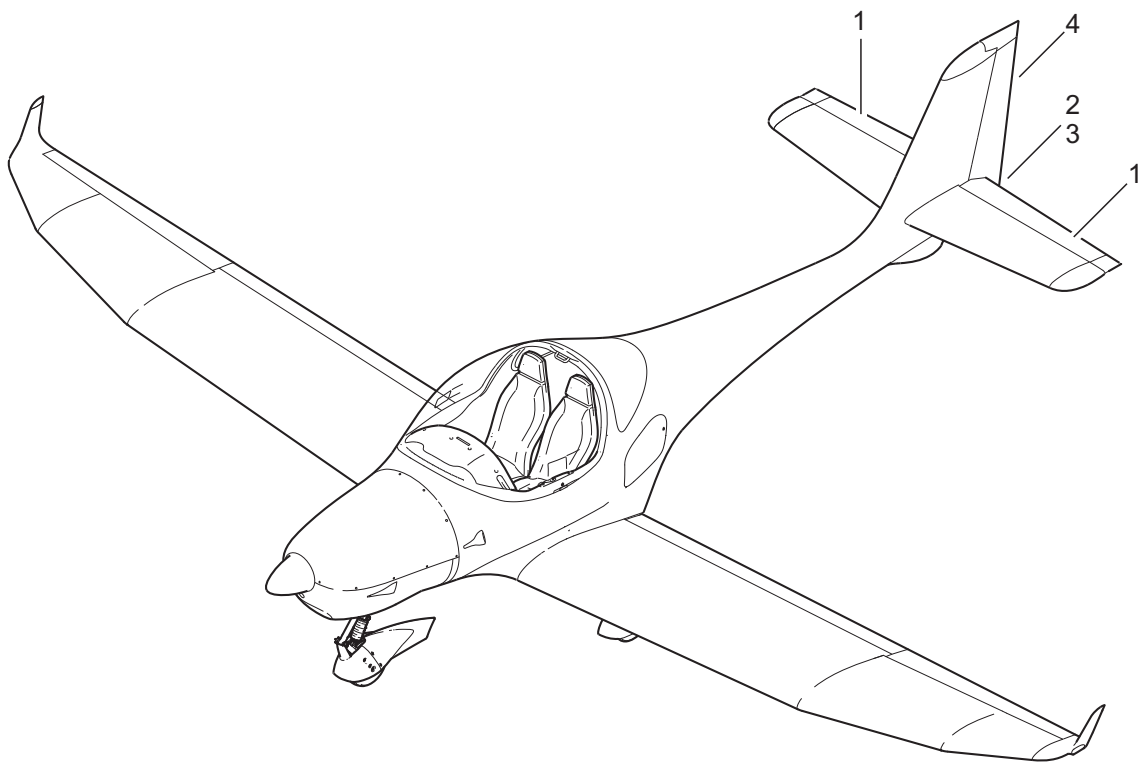
AQUILA AT01-100

ILLUSTRATED PARTS CATALOG

TABLE OF CONTENTS

<u>Title</u> <u>Subject</u>	<u>Chapter</u> <u>Section</u> <u>Subject</u>	<u>Page</u>	<u>Effectivity</u>
STABILIZERS - GENERAL	55-00-00	1	
Stabilizers - General	55-00-00	2	
ELEVATOR	55-20-00	1	
Outer Elevator Installation	55-20-00	2	
Central Elevator Installation	55-20-01	4	
RUDDER	55-40-00	1	
Lower Rudder Installation	55-40-00	2	
Upper Rudder Installation	55-40-00	4	

STABILIZERS
GENERAL



Stabilizers - General
Figure 1

Fig. Item	QTY	Part Number	Nomenclature	Effectivity
1			Stabilizers - General	
	1		Outer Elevator Installation (refer to 55-20-00, figure 1 for details)	
	2		Central Elevator Installation (refer to 55-20-00, figure 2 for details)	
	3		Lower Rudder Installation (refer to 55-40-00, figure 1 for details)	
	4		Upper Rudder Installation (refer to 55-40-00, figure 2 for details)	

- Item not illustrated

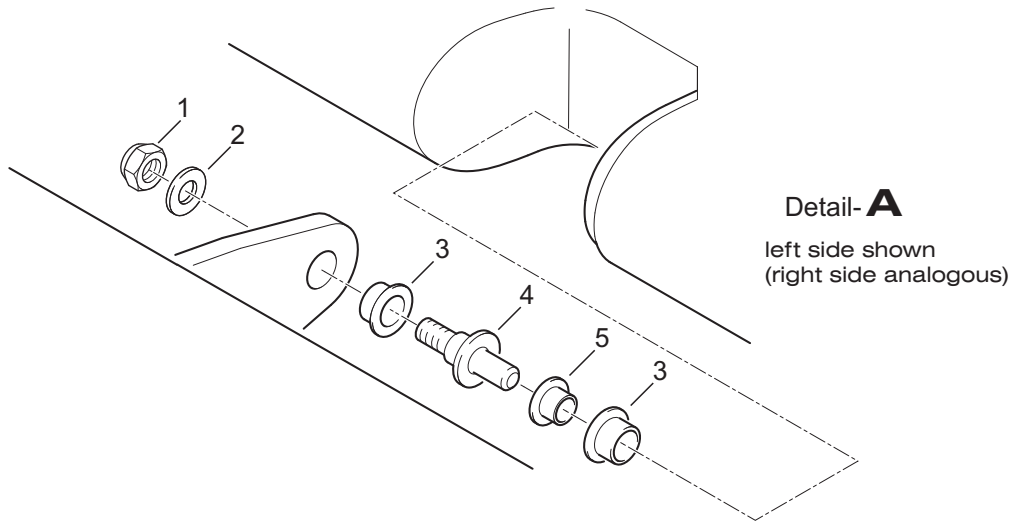
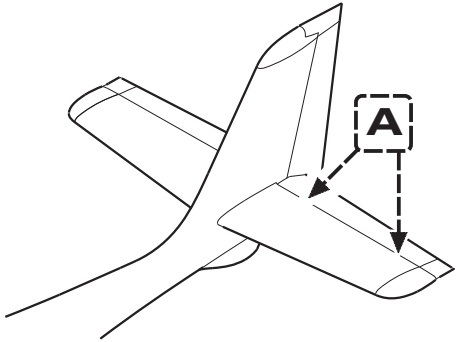
Stabilizers - General
Figure 1

55-00-00

Page 3

03.03.14

ELEVATOR



Outer Elevator Installation
Figure 1

Fig. Item	QTY	Part Number	Nomenclature	Effectivity
1			Outer Elevator Installation	
	1	2	1800985_M6	locknut (DIN 985 M6)
	2	2	1800125_6,4	washer (DIN 125 6,4x12)
	3	4	AT01-4510-116	bearing bush
	4	2	AT01-4510-114	bearing pin
	5	2	1850010	collar bushing (PAF 06070 P10 INA)

- Item not illustrated

Outer Elevator Installation
Figure 1

55-20-00

Page 3

03.03.14

Fig. Item	QTY	Part Number	Nomenclature	Effectivity
2			Central Elevator Installation	
1	1	AT01-3130-001	elevator bellcrank LH	
2	1	AT01-3130-002	elevator bellcrank RH	
3	3	1809037_06030	bolt (LN 9037 M6x30)	
4	3	1800125_6,4	washer (DIN 125 6,4x12)	
5	3	1800985_M6	locknut (DIN 985 M6)	
6	1	AT01-3130-107	spacer sleeve	
7	6	1800985_M5	locknut (DIN 985 M5)	
8	6	1809021_5,3	washer (DIN 9021 5,3x15)	

- Item not illustrated

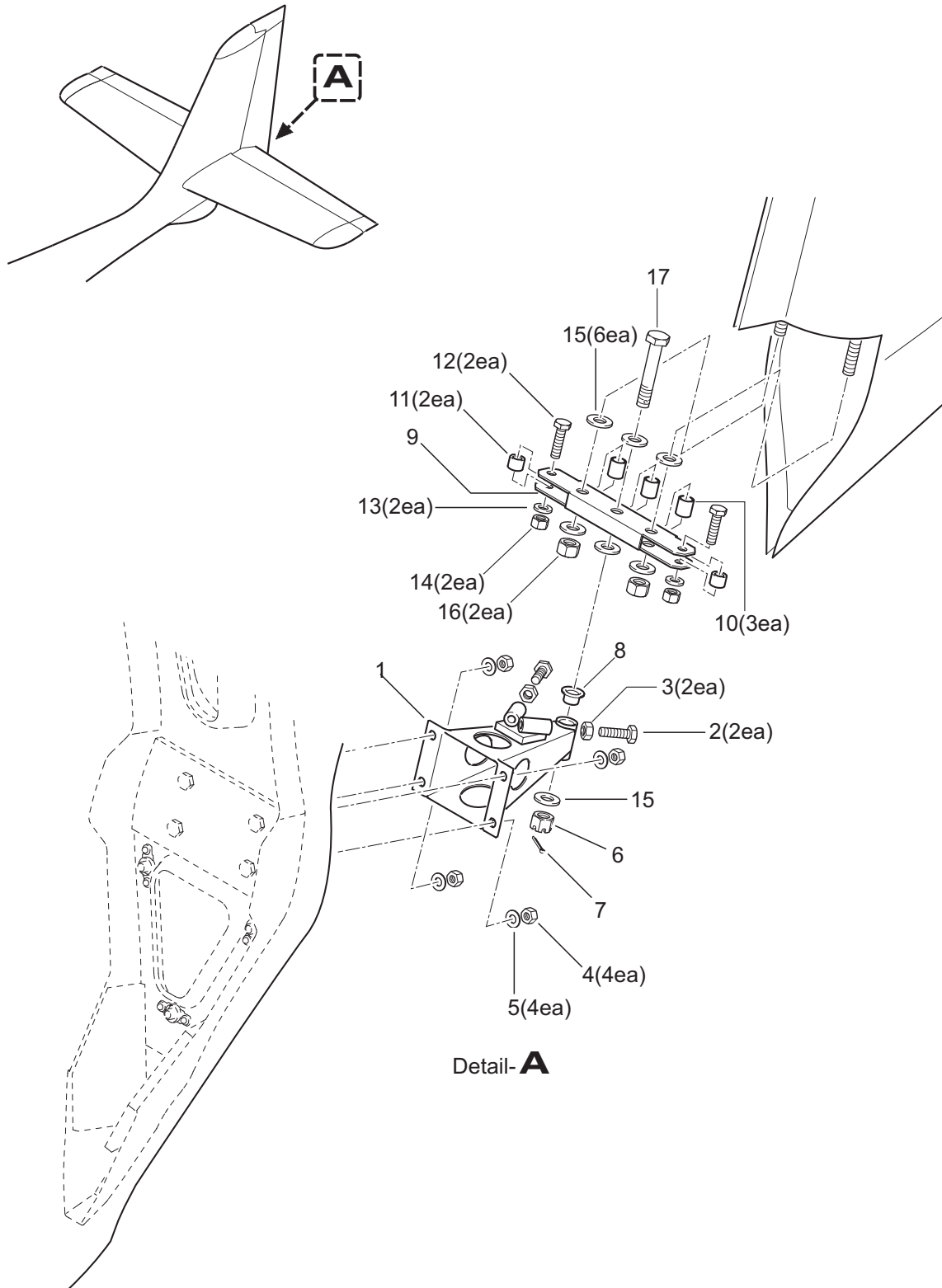
Central Elevator Installation
Figure 2

55-20-00

Page 5

03.03.14

RUDDER



Lower Rudder Installation
Figure 1

Fig. Item	QTY	Part Number	Nomenclature	Effectivity
1			Lower Rudder Installation	
	1	AT01-3230-001	bearing block	
	2	1800933_M6x20	bolt (DIN 933 M6x20)	
	2	1800934_M6	nut (DIN 934 M6)	
	4	1800985_M6	locknut (DIN 985 M6)	
	4	1800125_6,4	washer (DIN 125 6,4x12)	
	1	1800935_M8	castellated nut (DIN 935 M8)	
	1	1800094_2x16	split pin (DIN 94 2x16)	
	1	1850011	collar bushing (PAF 08075 P10 INA)	
	1	AT01-3300-103	rudder actuation lever (incl. items 10, 17)	
	3	AT01-3300-104	spacer tube	
	2	AT01-4510-125	spacer sleeve	
	2	1809037_06022	bolt (LN 9037 M6x22)	
	2	1800125_6,4	washer (DIN 125 6,4x12)	
	2	1800985_M6	locknut (DIN 985 M6)	
	7	1800125_8,4	washer (DIN 125 8,4x16)	
	2	1800985_M8	locknut (DIN 985 M8)	
	1	AT01-3300-109	bolt	

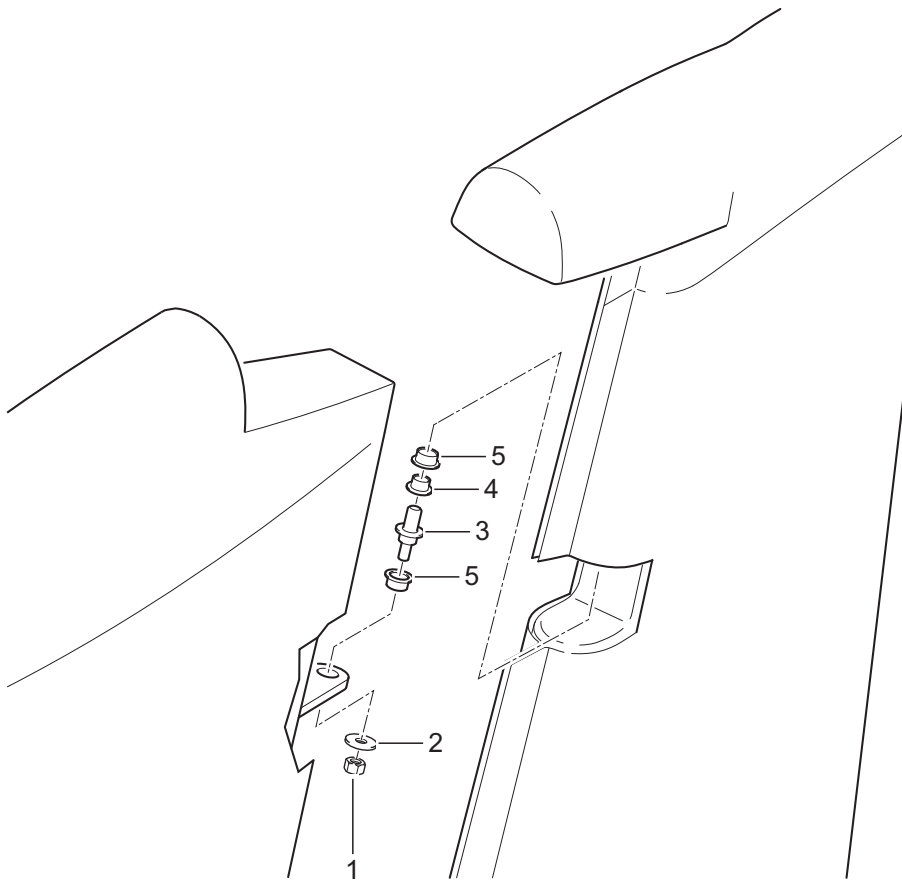
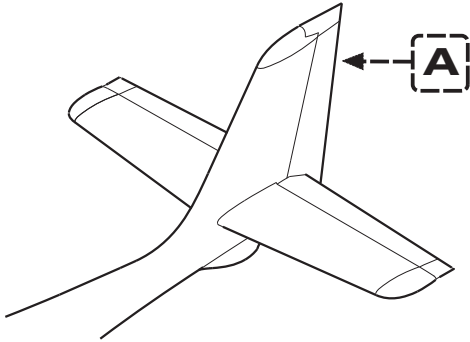
- Item not illustrated

Lower Rudder Installation
Figure 1

55-40-00

Page 3

03.03.14



Detail-**A**

Fig. Item	QTY	Part Number	Nomenclature	Effectivity
2			Upper Rudder Installation	
1	1	1800985_M6	locknut (DIN 985 M6)	
2	1	1809021_6,4	washer (DIN 9021 6,4x18)	
3	1	AT01-4510-106	bearing pin	
4	1	1850011	collar bushing (PAF 08075 P10 INA)	
5	2	AT01-4510-113	bearing bush	

- Item not illustrated

Upper Rudder Installation
Figure 2

55-40-00

Page 5

03.03.14



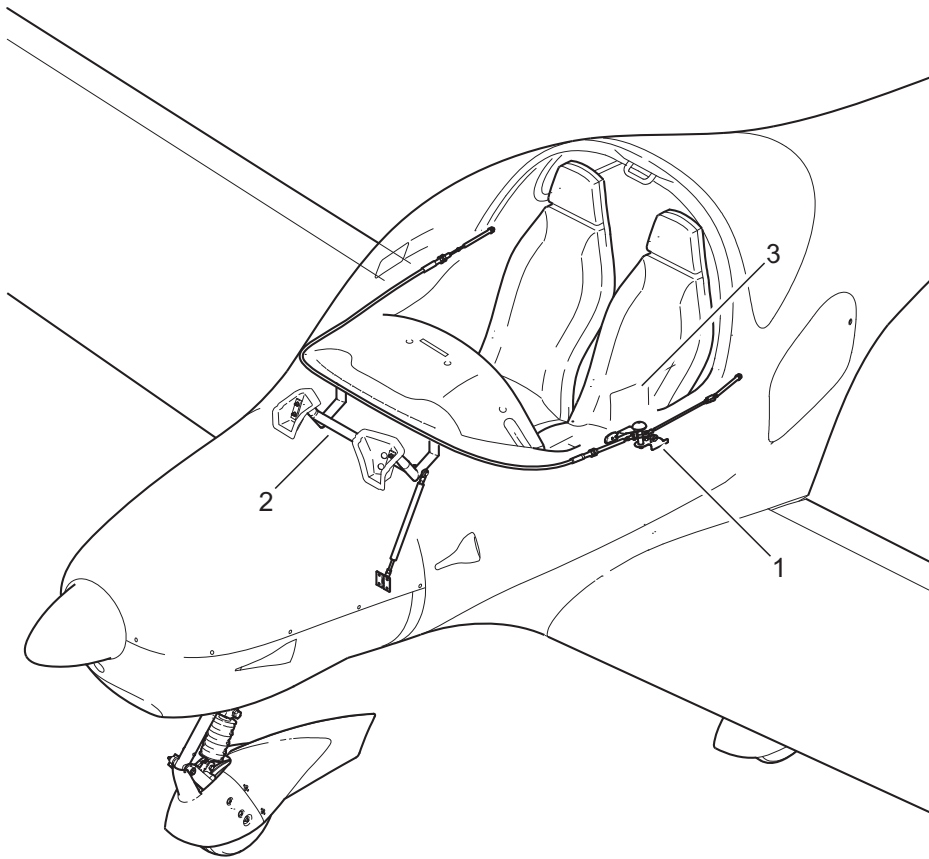
CHAPTER 56

WINDOWS

TABLE OF CONTENTS

<u>Title</u> <u>Subject</u>	<u>Chapter</u> <u>Section</u> <u>Subject</u>	<u>Page</u>	<u>Effectivity</u>
CANOPY	56-10-00	1	
Canopy - General	56-10-00	2	
Canopy Latching Mechanism	56-10-00	4	
Canopy Hinge Bracket	56-10-00	6	
Canopy Frame / Glass	56-10-00	8	

CANOPY



Canopy - General
Figure 1

Fig. Item	QTY	Part Number	Nomenclature	Effectivity
1			Canopy - General	
	1		Canopy Latching Mechanism (refer to 56-10-00, figure 2 for details)	
	2		Canopy Hinge Bracket (refer to 56-10-00, figure 3 for details)	
	3		Canopy Frame / Glass (refer to 56-10-00, figure 4 for details)	

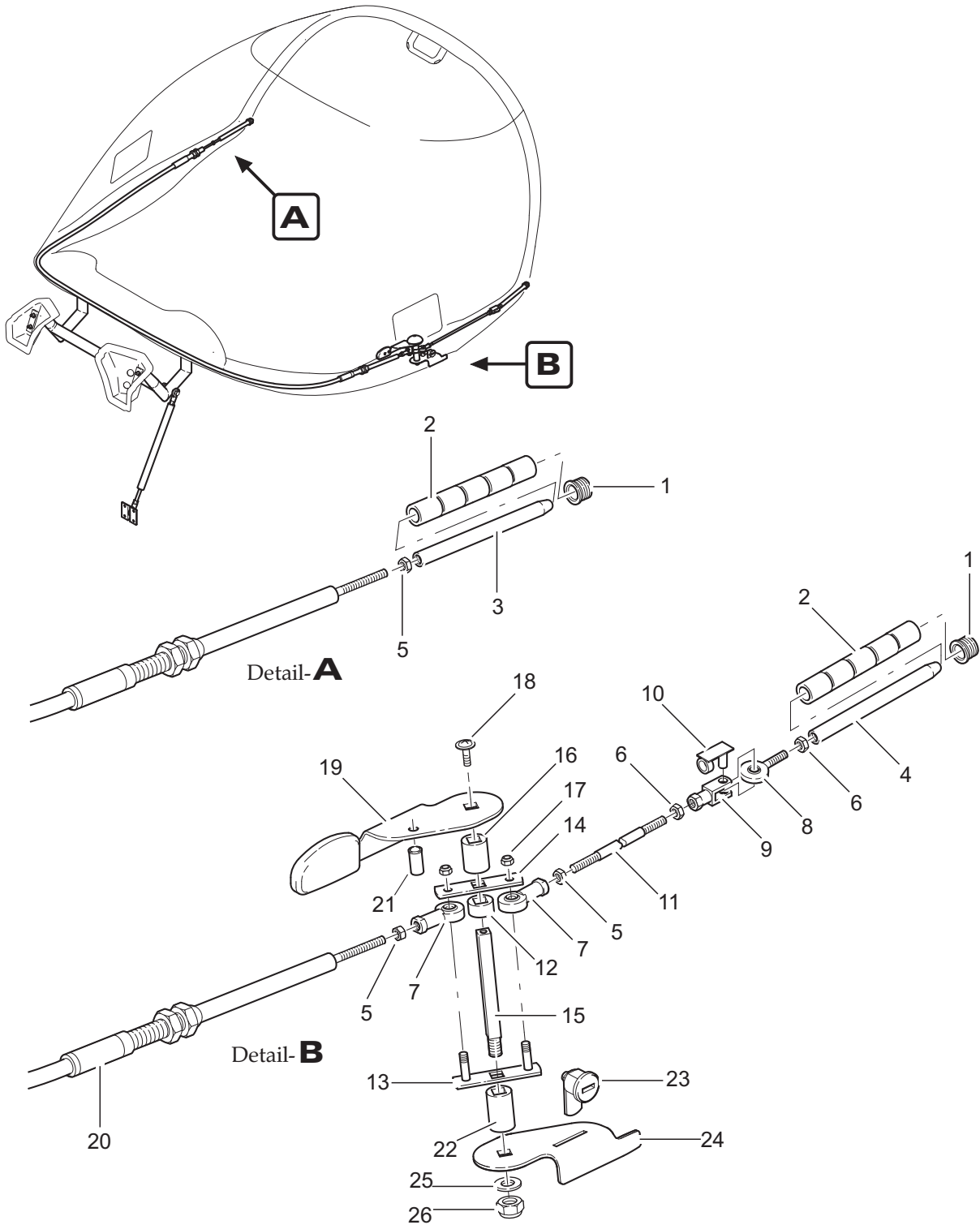
- Item not illustrated

Canopy - General
Figure 1

56-10-00

Page 3

15.05.20



Cabin Latching Mechanism
Figure 2

Fig. Item	QTY	Part Number	Nomenclature	Effectivity
2			Canopy Latching Mechanism	
1	2	AT01-2340-103	bush for locking bolt	
2	2	AT01-2340-112	bearing bush for locking bolt	
3	1	AT01-2340-114	locking bolt RH	
4	1	AT01-2340-101	locking bolt LH	
5	3	1800934_M5	nut (DIN 934 M5)	
6	2	1800934_M6	nut (DIN 934 M6)	
7	2	AT01-1850-115	swivel head (internal thread M5)	
8	1	AT01-1850-118	swivel head (external thread M6)	
9	1	AT01-1850-206	fork head	
10	1	AT01-1850-207	fork head bolt	
11	1	AT01-2340-113	pushrod	
12	1	AT01-2340-109	spacer sleeve	
13	1	AT01-2340-008	drive plate assy	
14	1	AT01-2340-108	drive plate	
15	1	AT01-2340-111	drive shaft	
16	1	AT01-2340-115	drive shaft bearing (top)	
17	2	1800985_M5	locknut (ISO 10511 M5)	
18	1	1807380_6x10	bolt (ISO 7380 M6x10)	
19	1	AT01-2340-117-070	top/inside handle for canopy latching	
20	1	AT01-2340-005	drive cable for canopy latching	
21	1	AT01-1860-110	plunger M10x22	
22	1	AT01-2340-110	drive shaft bearing (bottom)	
23	1	AT01-4540-104	canopy lock	
24	1	AT01-2340-107	bottom/outside handle for canopy latching	
25	1	1800125_8,4	washer (ISO 7089 8,4x16)	
26	1	1800985_M8	locknut (ISO 10511 M8)	

Service Kits & Tools

AT01-9600-109	drive cable for canopy latching (one side crimped)
AT01-9600-108	steel end M5 (to crimp on)

Refer to SL-AT01-002 for canopy latching drive cable exchange.

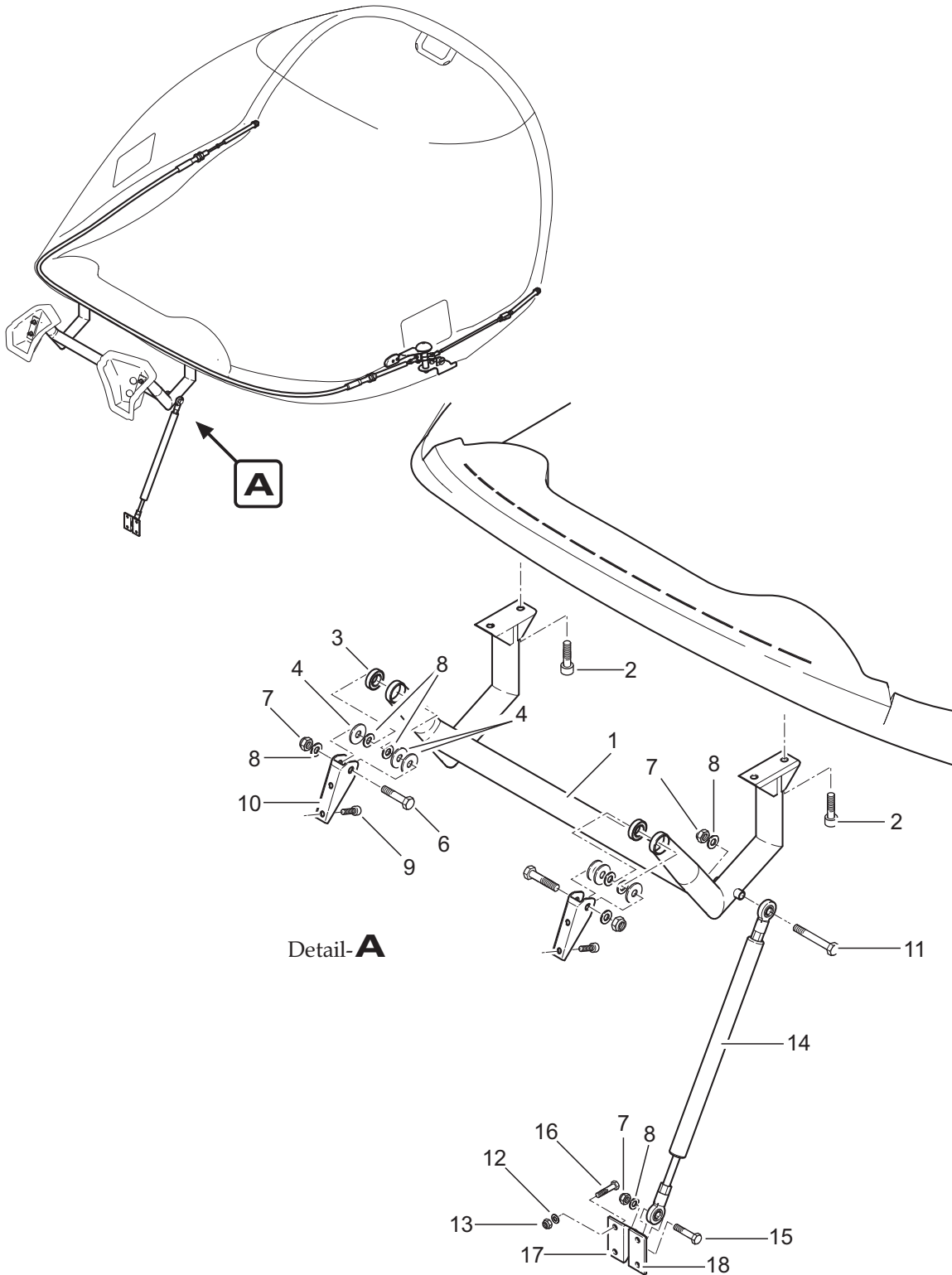
- Item not illustrated

Cabin Latching Mechanism
Figure 2

56-10-00

Page 5

15.05.20



Detail-**A**

Canopy Hinge Bracket
Figure 3

Fig. Item	QTY	Part Number	Nomenclature	Effectivity
3			Canopy Hinge Bracket	
1	1	AT01-2330-002	canopy suspension fork	
2	4	1800912_M8x25	bolt (ISO 4762 M8x25 8.8)	
3	2	AT01-1850-608	ball bearing	
4	6	1809021_8,4	washer (ISO 7093 8,4x24)	
6	2	1809037_08032	bolt (LN 9037 M8x32)	
7	4	1800985_M8	locknut (ISO 10511 M8)	
8	8	1800125_8,4	washer (ISO 7089 8,4x16)	
9	4	1800912_M6x20	bolt (ISO 4762 M6x20 8.8)	
10	2	AT01-2330-102	Bearing Fitting	
11	1	1800931_M8x60	bolt (ISO 4014 M8x60 8.8)	
12	4	1809021_6,4	washer (ISO 7093 6,4x18)	
13	4	1800985_M6	locknut (ISO 10511 M6)	
14	1	AT01-2330-006	gas-filled strut	
15	1	1800931_M8x35	bolt (ISO 4014 M8x35 8.8)	
16	4	1800933_M6x25	bolt (ISO 4017 M6x25 8.8)	
17	1	AT01-4510-139	bearing angle RH	
18	1	AT01-4510-140	bearing angle LH	

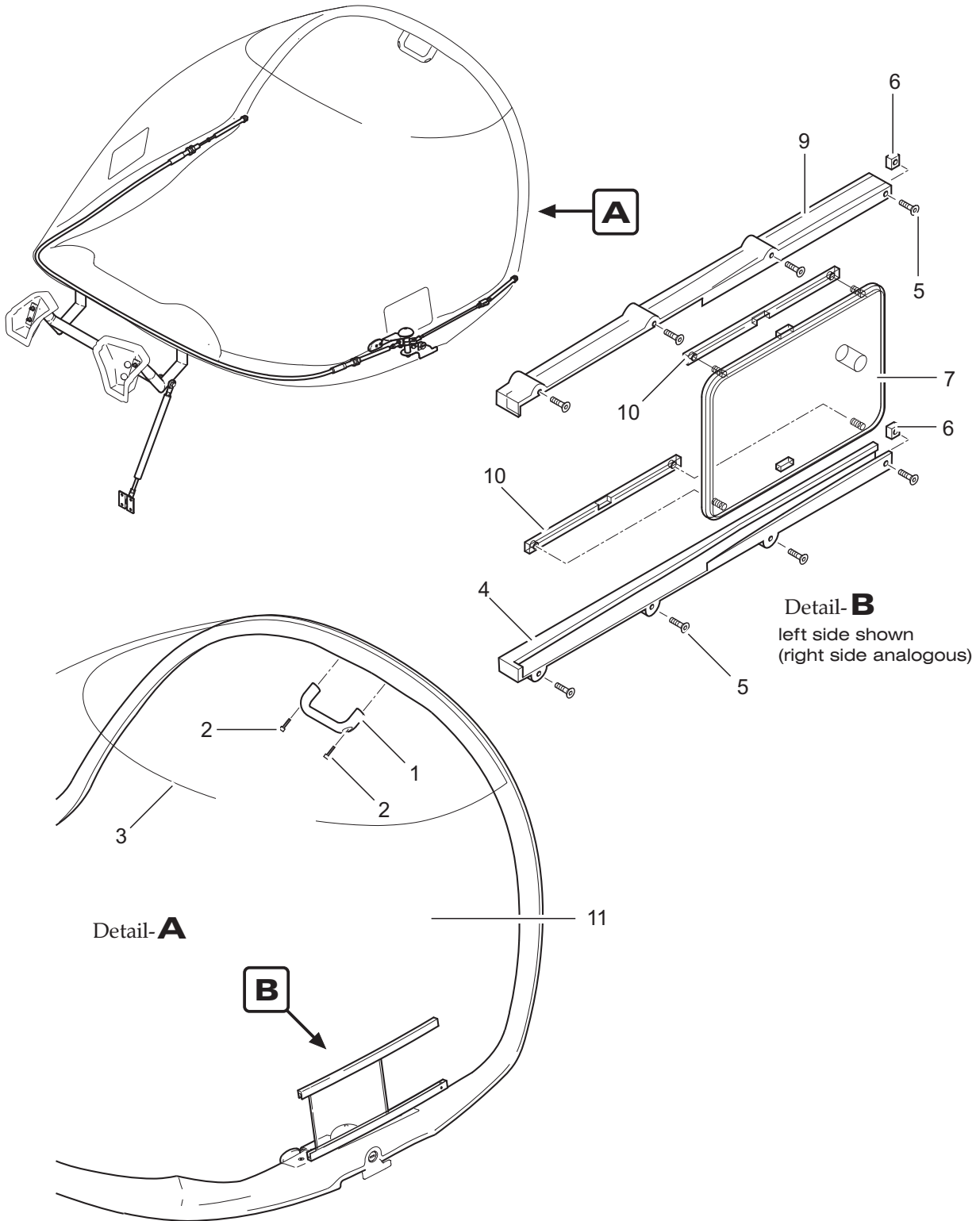
- Item not illustrated

Canopy Hinge Bracket
Figure 3

56-10-00

Page 7

15.05.20



Canopy Frame / Glass
Figure 4

Fig. Item	QTY	Part Number	Nomenclature	Effectivity
4			Canopy Frame / Glass	
1	1	AT01-2310-100	canopy handle	
2	2	1800912_M6x20	bolt (ISO 4762 M6x20 8.8)	
3	1	AT01-2320-002	sun protection film	
4	1	AT01-2320-204	guide rail for window (top RH and bottom LH)	
5	8	AT01-2320-207	guide rail screw	
6	2	AT01-2320-206	stop block	
7	1	AT01-2320-236	window LH, uncolored	300-301, 303-306
		AT01-2320-242	window LH, uncolored	302, 307-999
		AT01-2320-238	window LH, blue	300-301, 303-306
		AT01-2320-244	window LH, blue	302, 307-999
		AT01-2320-240	window LH, grey	300-301, 303-306
		AT01-2320-246	window LH, grey	302, 307-999
-8	1	AT01-2320-235	window RH, uncolored	300-301, 303-306
		AT01-2320-241	window RH, uncolored	302, 307-999
		AT01-2320-237	window RH, blue	300-301, 303-306
		AT01-2320-243	window RH, blue	302, 307-999
		AT01-2320-239	window RH, grey	300-301, 303-306
		AT01-2320-245	window RH, grey	302, 307-999
9	1	AT01-2320-203	guide rail for window (bottom RH and top LH)	
10	2	AT01-2320-205	slide bar	
11	1	AT01-2320-115	canopy glass, uncolored	
		AT01-2320-116	canopy glass, blue	
		AT01-2320-117	canopy glass, grey	
-12	1	AT01-2320-106	rear window glass, uncolored	
		AT01-2320-107	rear window glass, blue	
		AT01-2320-108	rear window glass, grey	

- Item not illustrated

Canopy Frame / Glass
Figure 4

56-10-00

Page 9

15.05.20



AQUILA AT01-100
ILLUSTRATED PARTS CATALOG

CHAPTER 57

WINGS

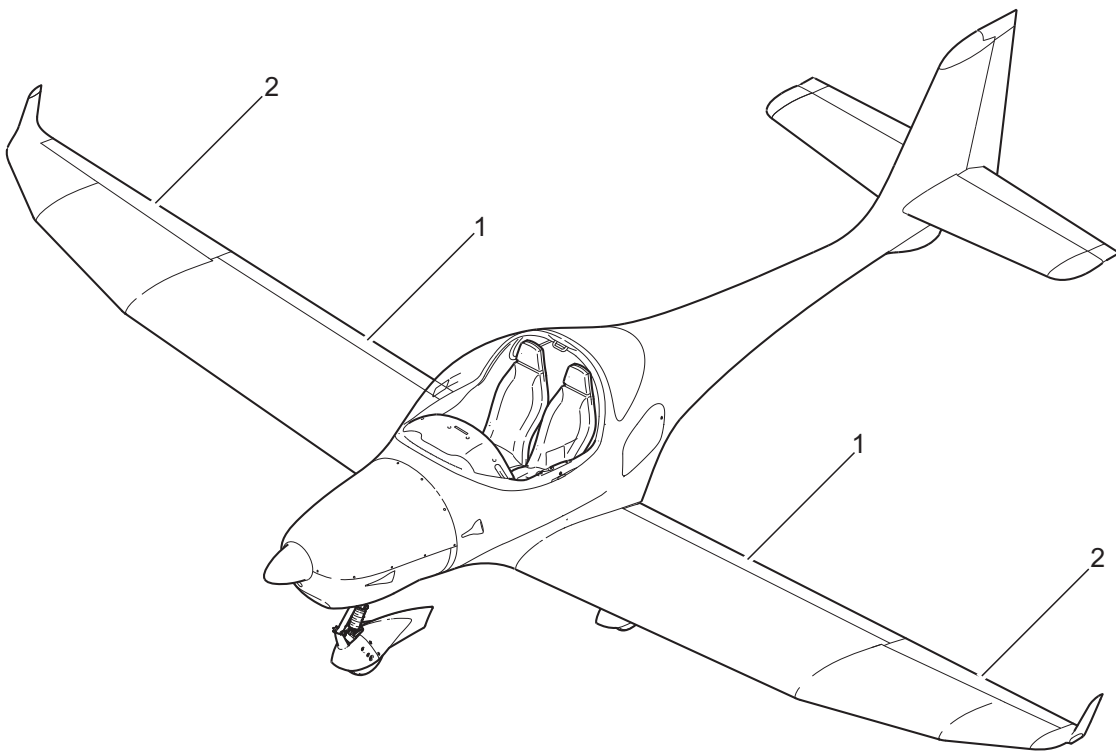
TABLE OF CONTENTS

<u>Title</u> <u>Subject</u>	<u>Chapter</u> <u>Section</u> <u>Subject</u>	<u>Page</u>	<u>Effectivity</u>
WINGS - GENERAL	57-00-00	1	
Wings - General	57-00-00	2	
FLIGHT SURFACES	57-50-00	1	
Flap Installation	57-50-00	2	
Aileron Installation	57-50-00	4	



AQUILA AT01-100
ILLUSTRATED PARTS CATALOG

WINGS
GENERAL



Wings - General
Figure 1

Fig. Item	QTY	Part Number	Nomenclature	Effectivity
1			Wings - General	
	1		Flap Installation (refer to 57-50-00, figure 1 for details)	
	2		Aileron Installation (refer to 57-50-00, figure 2 for details)	

- Item not illustrated

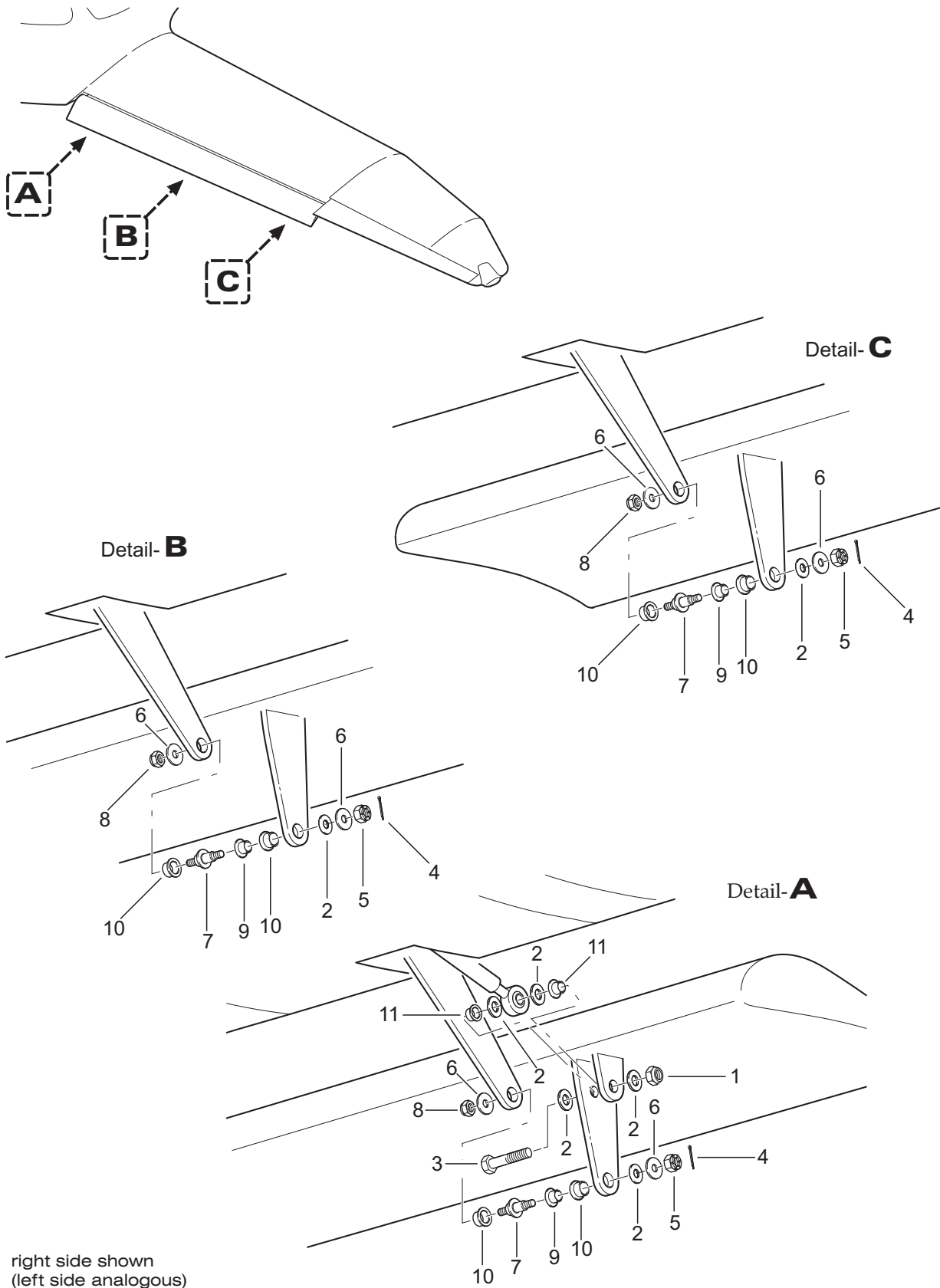
Wings - General
Figure 1

57-00-00

Page 3

03.03.14

FLIGHT SURFACES

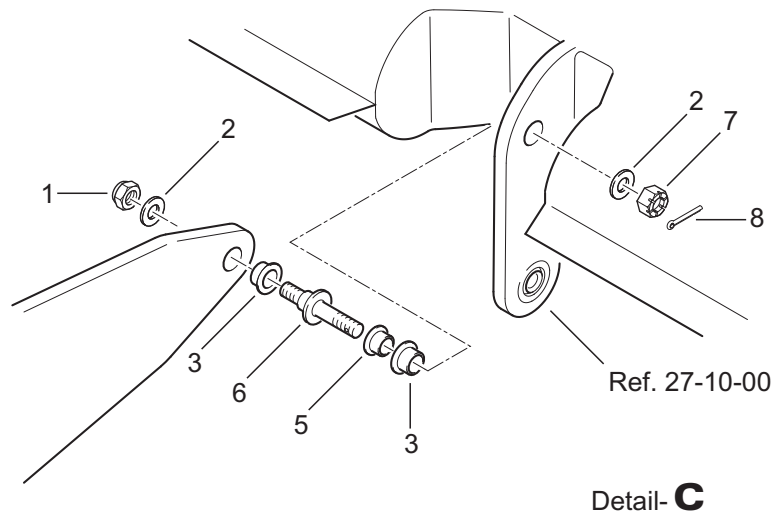
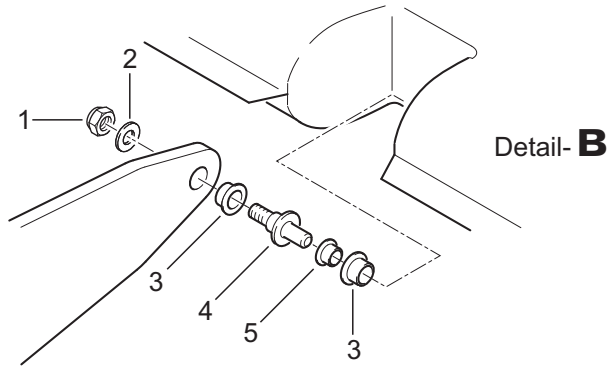
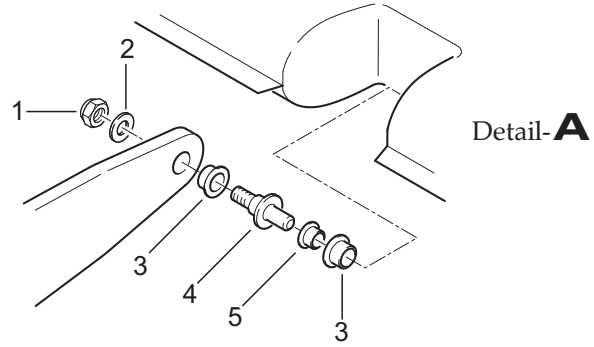
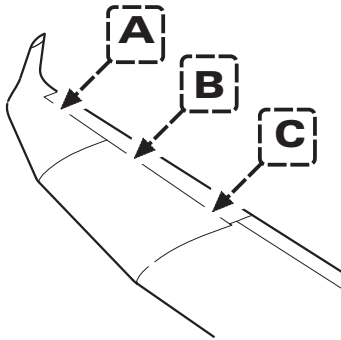


Flap Installation
Figure 1

Fig. Item	QTY	Part Number	Nomenclature	Effectivity
1			Flap Installation	
	1	1800985_M8	locknut (DIN 985 M8)	
	2	1800125_8,4	washer (DIN 125 8,4x16)	
	3	1809037_08045	bolt (LN 9037 M8x45)	
	4	1800094_1,6x16	split pin (DIN 94 1,6x16)	
	5	1800935_M6	castellated nut (DIN 935 M6)	
	6	1809021_6,4	washer (DIN 9021 6,4x12)	
	7	AT01-4510-108	control surface pivot (1,5 mm)	
	7	AT01-4510-132	control surface pivot (3 mm)	
	7	AT01-4510-133	control surface pivot (4 mm)	
	7	AT01-4510-134	control surface pivot (5 mm)	
	8	1800985_M6	locknut (DIN 985 M6)	
	9	1850011	collar bushing (PAF 08075 P10 INA)	
	10	AT01-4510-113	bearing bush	
	11	AT01-4510-116	bearing bush	

- Item not illustrated

Flap Installation
Figure 1



right side shown
(left side analogous)

Aileron Installation
Figure 2

Fig. Item	QTY	Part Number	Nomenclature	Effectivity
2			Aileron Installation	
1	3	1800985_M6	locknut (DIN 985 M6)	
2	4	1800125_6,4	washer (DIN 125 6,4x12)	
3	6	AT01-4510-116	bearing bush	
4	2	AT01-4510-114	bearing pin	
5	3	1850010	collar bushing (PAF 06070 P10 INA)	
6	1	AT01-4510-115	bearing pin	
7	1	1800935_M6	castellated nut (DIN 935 M6)	
8	1	1800094_1,6x16	split pin (DIN 94 1,6x16)	

- Item not illustrated

Aileron Installation
Figure 2

57-50-00

Page 5

03.03.14



AQUILA AT01-100/200
ILLUSTRATED PARTS CATALOG

CHAPTER 71
POWER PLANT

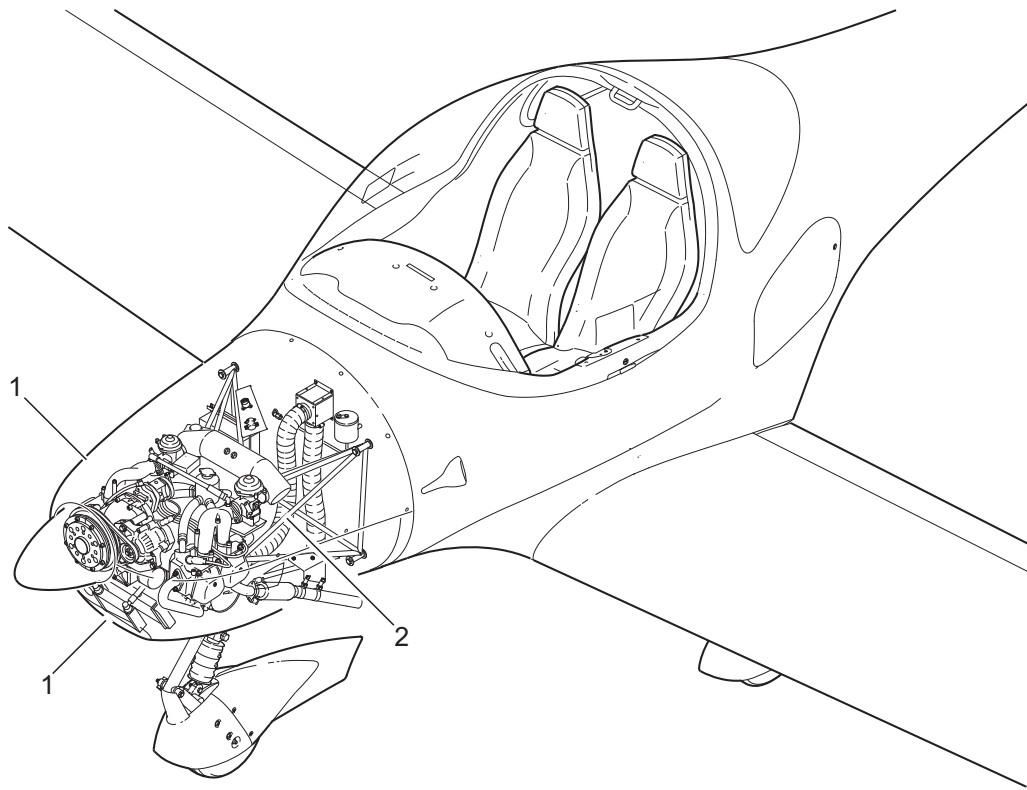
TABLE OF CONTENTS

<u>Title</u> <u>Subject</u>	<u>Chapter</u> <u>Section</u> <u>Subject</u>	<u>Page</u>	<u>Effectivity</u>
POWER PLANT - GENERAL	71-00-00	1	
Power Plant - General	71-00-00	2	
COWLING	71-10-00	1	
Cowling / Air Intake Components	71-10-00	2A	Rotax 912S
Cowling Components	71-10-00	2B	Rotax 914F
ENGINE MOUNT	71-20-00	1	
Engine Mount Components	71-20-00	2A	Rotax 912S
Engine Mount Components	71-20-00	2B	Rotax 914F
AIR INDUCTION SYSTEM	71-60-00	1	
Engine Air Intake / Intercooler Installation	71-60-00	2	Rotax 914F



AQUILA AT01-100/200
ILLUSTRATED PARTS CATALOG

POWER PLANT
GENERAL



Power Plant - General
Figure 1

Fig. Item	QTY	Part Number	Nomenclature	Effectivity
1			Power Plant - General	
	1		Cowling / Air Intake Components (refer to 71-10-00, figure 1A for details)	Rotax 912S
	1		Cowling Components (refer to 71-10-00, figure 1B for details)	Rotax 914F
	2		Engine Mount Components (refer to 71-20-00, figure 1A for details)	Rotax 912S
	2		Engine Mount Components (refer to 71-20-00, figure 1B for details)	Rotax 914F
	-3		Engine Air Intake / Intercooler Installation (refer to 71-60-00, figure 1 for details)	Rotax 914F

- Item not illustrated

Power Plant - General
Figure 1

71-00-00

Page 3

04.02.21

COWLING

Fig. Item	QTY	Part Number	Nomenclature	Effectivity
1A			Cowling / Air Intake Components	Rotax 912S
1	1	AT01-2130-001-096	upper cowling	
2	1	AT01-2130-013-096	lower cowling	
3	1	AT01-2130-005	cowling air outlet	
4	13	AT01-1840-582	Benloc receptacle	
		AT01-1840-562	Camloc receptacle (optional)	
5	26	1807337_3,2x8 ES/ES	rivet (ISO 15984 3,2x8 A2/A2)	
6	29	AT01-1840-580	Camloc retaining washer	
7	29	AT01-1840-558	Camloc grommet	
8	29	AT01-1840-448	Camloc stud (5mm)	
		AT01-1840-449	Camloc stud (6mm)	
		AT01-1840-550	Camloc stud (7mm)	
9	AR	AT01-4520-558	air hose (red / Ø 83mm / 100mm)	
10	AR	AT01-4520-600	air hose (red / Ø 63mm / 680mm)	
-11	AR	AT01-4520-600	air hose (red / Ø 63mm / 350mm / for preheated air)	
12	1	AT01-7040-004	air box cap	
13	1	AT01-7040-101	air filter	
14	1	AT01-4520_TO50-70/9C7W2	clamp	
15	1	AT01-4520_TO70-90/9C7W2	clamp	

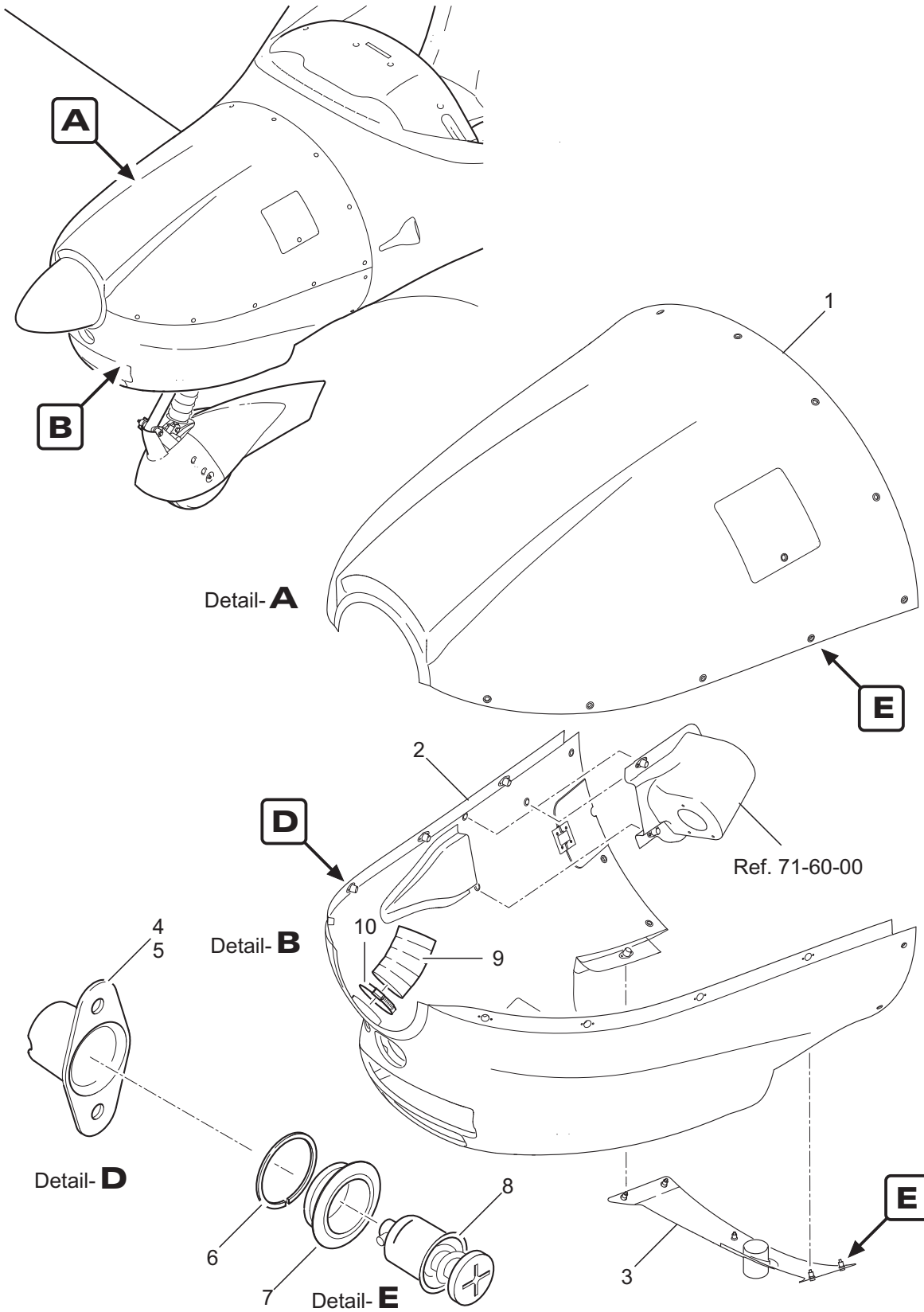
- Item not illustrated

Cowling / Air Intake Components
Figure 1A

71-10-00

Page 3A

04.02.21



EFFECTIVITY

Aircraft equipped
with Rotax 914F

Cowling Components
Figure 1B

71-10-00

Fig. Item	QTY	Part Number	Nomenclature	Effectivity
1B			Cowling Components	Rotax 914F
1	1	AT01-2130-017-096	upper cowling	
2	1	AT01-2130-018-096	lower cowling	
3	1	AT01-2130-057	cowling air outlet	
4	14	AT01-1840-582	Benloc receptacle	
		AT01-1840-562	Camloc receptacle (optional)	
5	18	1807337_3,2x8 ES/ES	rivet (ISO 15984 3,2x8 A2/A2)	
	4	1807337_3,2x6 ES/ES	rivet (ISO 15984 3,2x6 A2/A2 / cowling air outlet)	
	6	1807337B_3,2x6 Al/St	rivet (ISO 15978 3,2x6 Al/St / air filter box)	
6	32	AT01-1840-580	Camloc retaining washer	
7	32	AT01-1840-558	Camloc grommet	
8	32	AT01-1840-448	Camloc stud (5mm)	
		AT01-1840-449	Camloc stud (6mm)	
		AT01-1840-550	Camloc stud (7mm)	
9	AR	AT01-4520-558	air hose (red / Ø 83mm / 100mm)	
10	1	AT01-4520_TO70-90/9C7W2	clamp	

- Item not illustrated

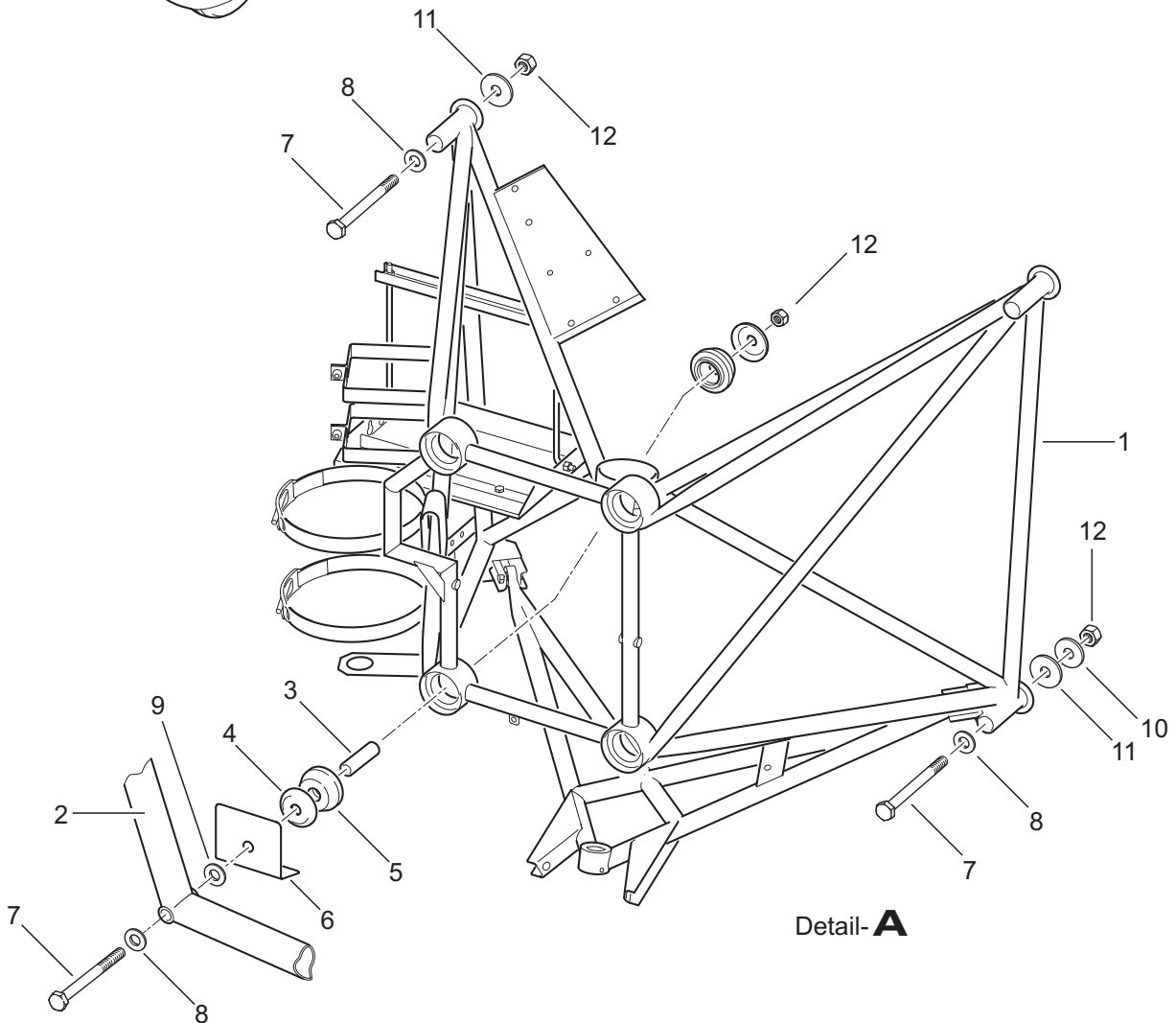
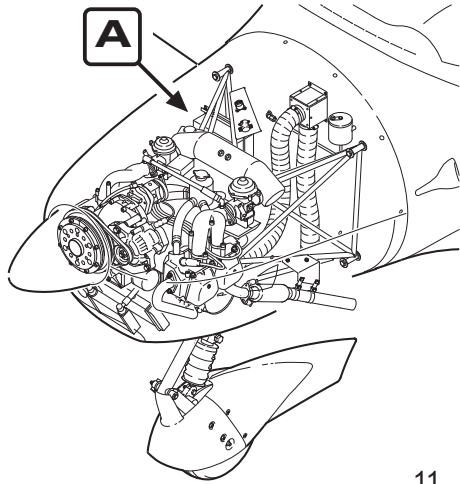
Cowling Components
Figure 1B

71-10-00

Page 3B

04.02.21

ENGINE MOUNT



Detail-**A**

NOTE: 9 - right mounts only
6 - lower mounts only
10 - lower mounts only

EFFECTIVITY

Aircraft equipped
with Rotax 912S

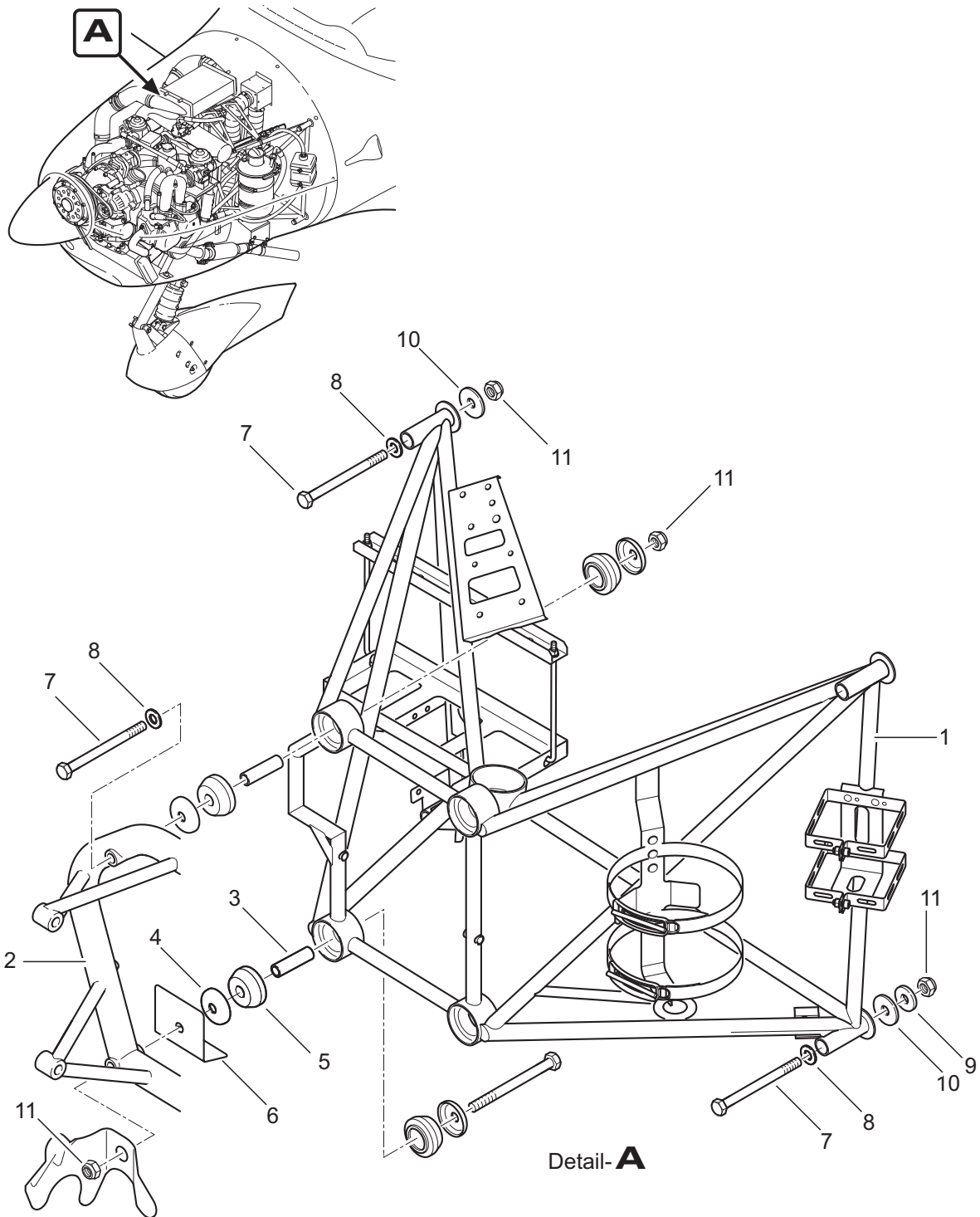
Engine Mount Components
Figure 1A

71-20-00

Fig. Item	QTY	Part Number	Nomenclature	Effectivity
1A			Engine Mount Components	Rotax 912S
	1	AT01-7010-007	engine mount (new version)	
		AT01-7010-001	engine mount (old version / replaced by AT01-7010-007)	
	2	AT01-7080-457	engine mount Rotax	
	3	AT01-7010-102	spacer tube	
	4	AT01-7010-109	cover plate	
	5	AT01-7010-111	shock mount	
	6	AT01-7010-115	heat protection shield	
	7	1800931_M10x110	bolt (ISO 4014 M10x110 8.8)	
	8	1800125_10,5	washer (ISO 7089 10,5x20)	
	9	1800125_10,5	washer (ISO 7089 10,5x20)	(1)
	10	1806340_10,5	washer (DIN 6340 10,5x28)	(2)
	11	1800440_11	washer (ISO 7094 11x34)	
	12	1806925 8VZ M10	locknut (ISO 7042 M10)	

Notes:

- (1) Washers are installed with the old engine mount (AT01-7010-001) only.
- (2) Refer to SB-AT01-022.



NOTE: 6 - lower mounts only
9 - lower mounts only

EFFECTIVITY

Aircraft equipped
with Rotax 914F

Engine Mount Components
Figure 1B

71-20-00

Fig. Item	QTY	Part Number	Nomenclature	Effectivity
1B			Engine Mount Components	Rotax 914F
1	1	AT01-7010-021	engine mount	
2	1	AT01-7080-457	engine mount Rotax	
3	4	AT01-7010-102	spacer tube	
4	8	AT01-7010-109	cover plate	
5	8	AT01-7010-111	shock mount	
6	2	AT01-7010-115	heat protection shield	
7	8	1800931_M10x110	bolt (ISO 4014 M10x110 8.8)	
8	6	1800125_10,5	washer (ISO 7089 10,5x20)	
9	2	1806340_10,5	washer (DIN 6340 10,5x28)	
10	4	1800440_11	washer (ISO 7094 11x34)	
11	8	1806925 8VZ M10	locknut (ISO 7042 M10)	

- Item not illustrated

Engine Mount Components
Figure 1B

71-20-00

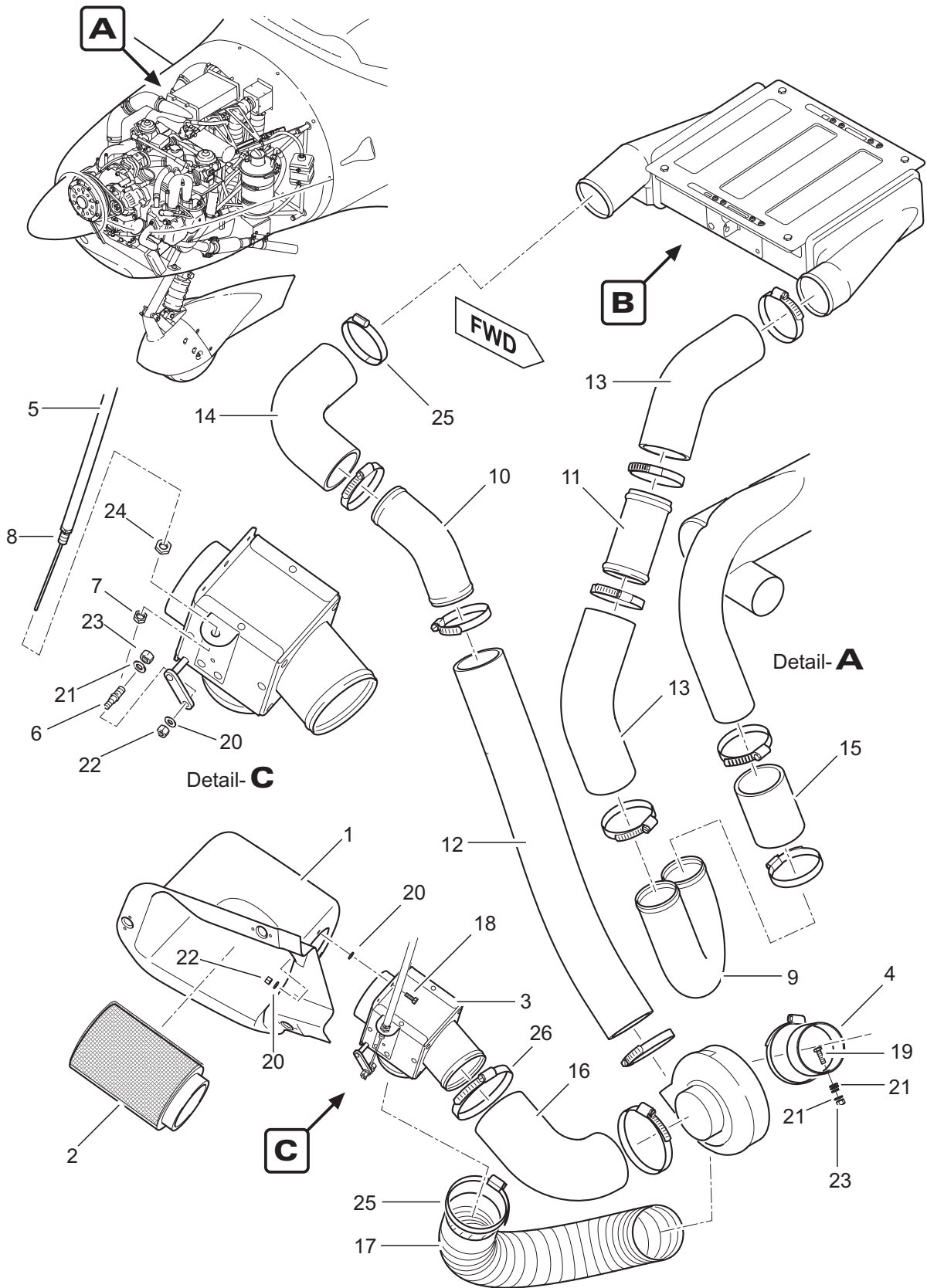
Page 3B

04.02.21



AQUILA AT01-100/200
ILLUSTRATED PARTS CATALOG

AIR INDUCTION SYSTEM



EFFECTIVITY
 Aircraft equipped
 with Rotax 914F

Engine Air Intake / Intercooler Installation
 Figure 1 (1)

71-60-00

Fig. Item	QTY	Part Number	Nomenclature	Effectivity
1 (1)			Engine Air Intake / Intercooler Installation	Rotax 914F
1	1	AT01-7040-005	air filter box	
2	1	AT01-7040-101	air filter	
3	1	AT01-7040-006	air valve	
4	1	AT01-7040-106	tube	
5	1	AT01-7020-020	dual control cable	
6	1	AT01-2600-107	cable clamping screw	
7	1	AT01-7020-132	nut	
8	1	AT01-4510-135	adjusting screw	
9	1	AT01-4520-617	tube bend 180°	
10	1	AT01-4520-619	tube bend 45°	
11	1	AT01-4520-614	hose connector	
12	AR	AT01-4520-621	silicone hose (approx. 500mm)	
13	2	AT01-4520-615	silicone hose elbow 45°	
14	1	AT01-4520-616	silicone hose elbow 90°	
15	1	AT01-4520-624	silicone hose straight	
16	1	AT01-4520-623	silicone hose elbow 90°	
17	AR	AT01-4520-600	air hose (red / Ø 63mm / approx. 550mm / Ø 5mm drainage hole at lowest point)	
18	3	1800933_M4x12	bolt (ISO 4017 M4x12 8.8)	
19	1	1800933_M5x16	bolt (ISO 4017 M5x16 8.8)	
20	7	1800125_4,3	washer (ISO 7089 4,3x9)	
21	5	1800125_5,3	washer (ISO 7089 5,3x10)	
22	4	1800985_M4	locknut (ISO 10511 M4)	
23	2	1800985_M5	locknut (ISO 10511 M5)	
24	1	1800439_M6	nut (ISO 4035 M6)	
25	12	AT01-4520_TO50-70/9C7W2	clamp	
26	2	AT01-4520_TO60-80/9C7W2	clamp	
-27	AR	AT01-4520-100	drain hose (10x1 / black / approx. 1m)	
-28	1	AT01-4520_COBRA_10,0/7W4	Cobra hose clamp	

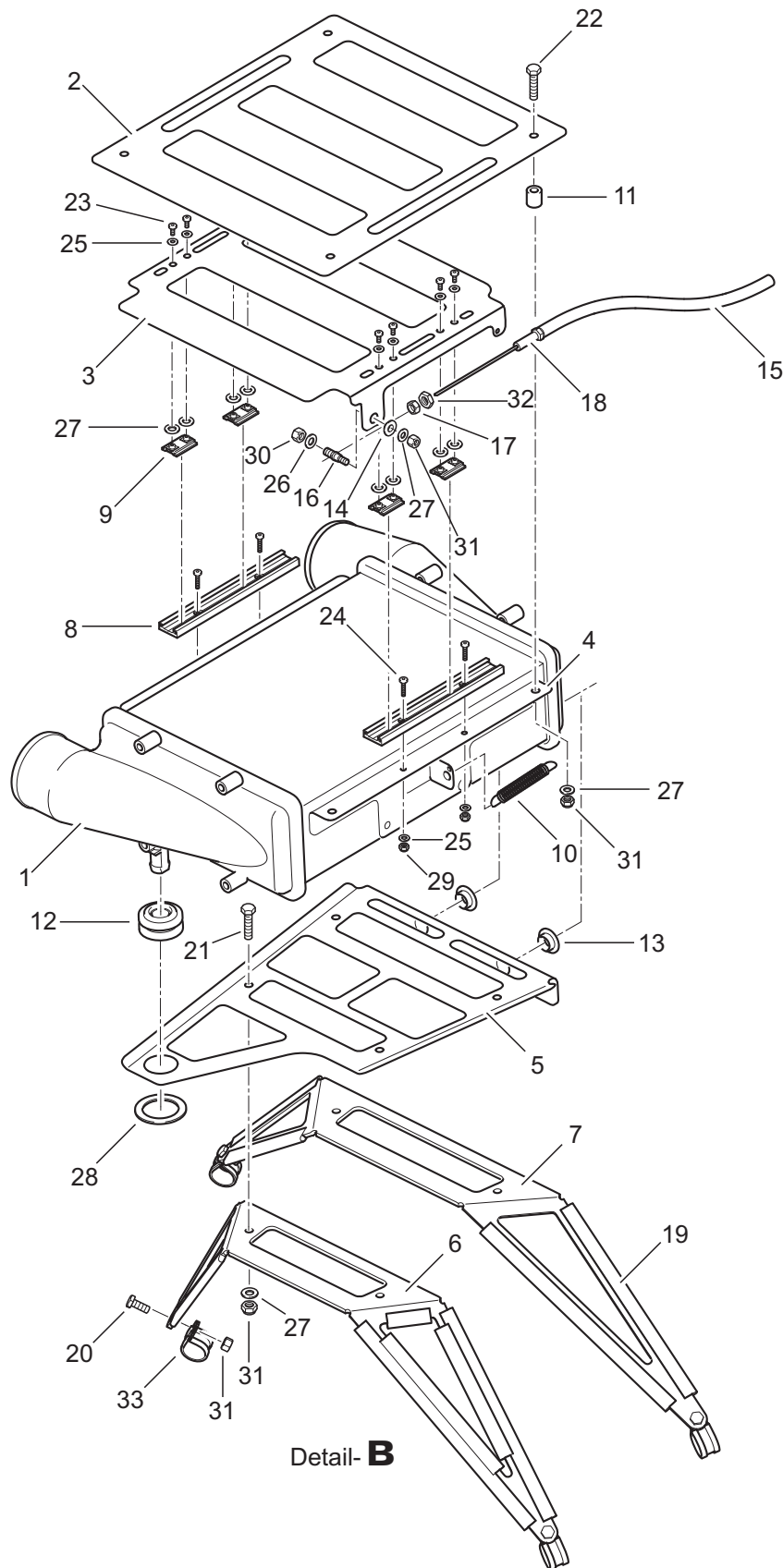
- Item not illustrated

Engine Air Intake / Intercooler Installation
Figure 1 (1)

71-60-00

Page 3

04.02.21



Detail- **B**

Engine Air Intake / Intercooler Installation
 Figure 1 (2)

EFFECTIVITY

Aircraft equipped
 with Rotax 914F

Fig. Item	QTY	Part Number	Nomenclature	Effectivity
1 (2)			Engine Air Intake / Intercooler Installation	Rotax 914F
1	1	AT01-7050-310	intercooler	
2	1	AT01-7050-192	upper cover plate	
3	1	AT01-7050-185	lower cover plate	
4	2	AT01-7050-198	mounting bracket	
5	1	AT01-7050-180	intercooler mounting bracket	
6	1	AT01-7050-181	front support	
7	1	AT01-7050-182	rear support	
8	2	AT01-7050-187	guide rail	
9	2	AT01-7050-188	guide carriage (floating bearing lateral direction)	RH side
	2	AT01-7050-196	guide carriage	LH side
10	1	AT01-7050-190	tension spring	
11	4	AT01-7050-195	spacer sleeve	
12	1	AT01-7050-308	intercooler grommet	
13	2	AT01-1850-153	bearing bush	
14	1	AT01-1850-156	bearing bush	
15	1	AT01-7020-020	dual control cable	
16	1	AT01-2600-107	cable clamping screw	
17	1	AT01-7020-132	nut	
18	1	AT01-4510-135	adjusting screw	
19	AR	AT01-9910-302	edge protection	
20	4	1800933_M5x12	bolt (ISO 4017 M5x12 8.8)	
21	4	1800933_M5x14	bolt (ISO 4017 M5x14 8.8)	
22	4	1800933_M5x20	bolt (ISO 4017 M5x20 8.8)	
23	8	1807984_M3x5	bolt (ISO 14580 M3x5 8.8)	
24	4	1807984_M3x12	bolt (ISO 14580 M3x12 8.8)	
25	12	1800125_3,2	washer (ISO 7089 3,2x7)	
26	1	1800125_4,3	washer (ISO 7089 4,3x9)	
27	17	1800125_5,3	washer (ISO 7089 5,3x10)	
28	1	1800988_25/1,5	adjusting washer (DIN 988 25x35x1,5)	
29	4	1800985_M3	locknut (ISO 10511 M3)	
30	1	1800985_M4	locknut (ISO 10511 M4)	
31	13	1800985_M5	locknut (ISO 10511 M5)	
32	1	1800439_M6	nut (ISO 4035 M6)	
33	4	AT01-4520_RSGU1.16/12W1	pipe clamp	

- Item not illustrated

Engine Air Intake / Intercooler Installation
Figure 1 (2)

71-60-00

Page 5

04.02.21



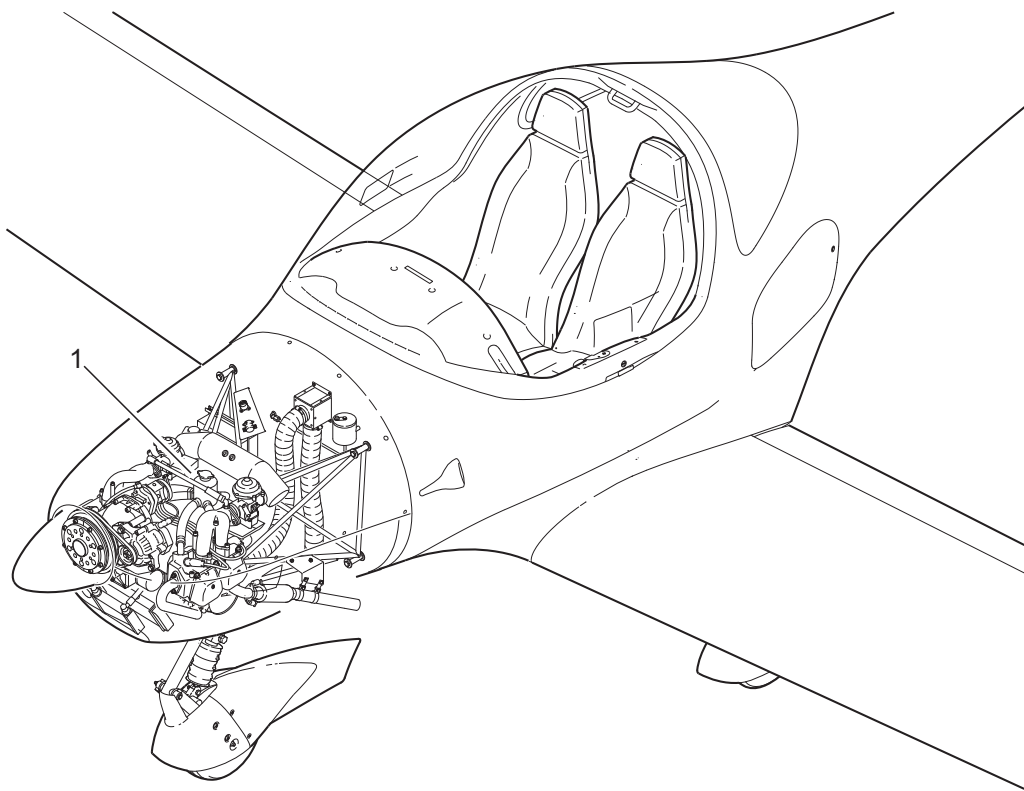
AQUILA AT01-100/200
ILLUSTRATED PARTS CATALOG

CHAPTER 75
ENGINE COOLING

TABLE OF CONTENTS

<u>Title</u> <u>Subject</u>	<u>Chapter</u> <u>Section</u> <u>Subject</u>	<u>Page</u>	<u>Effectivity</u>
ENGINE COOLING - GENERAL	75-00-00	1	
Engine Cooling - General	75-00-00	2	
Water Cooling	75-00-00	4A	Rotax 912S
Water Cooling	75-00-00	4B	Rotax 914F

ENGINE COOLING
GENERAL



Engine Cooling - General
Figure 1

Fig. Item	QTY	Part Number	Nomenclature	Effectivity
1			Engine Cooling - General	
	1		Water Cooling (refer to 75-00-00, figure 2A for details)	Rotax 912S
	-1		Water Cooling (refer to 75-00-00, figure 2B for details)	Rotax 914F

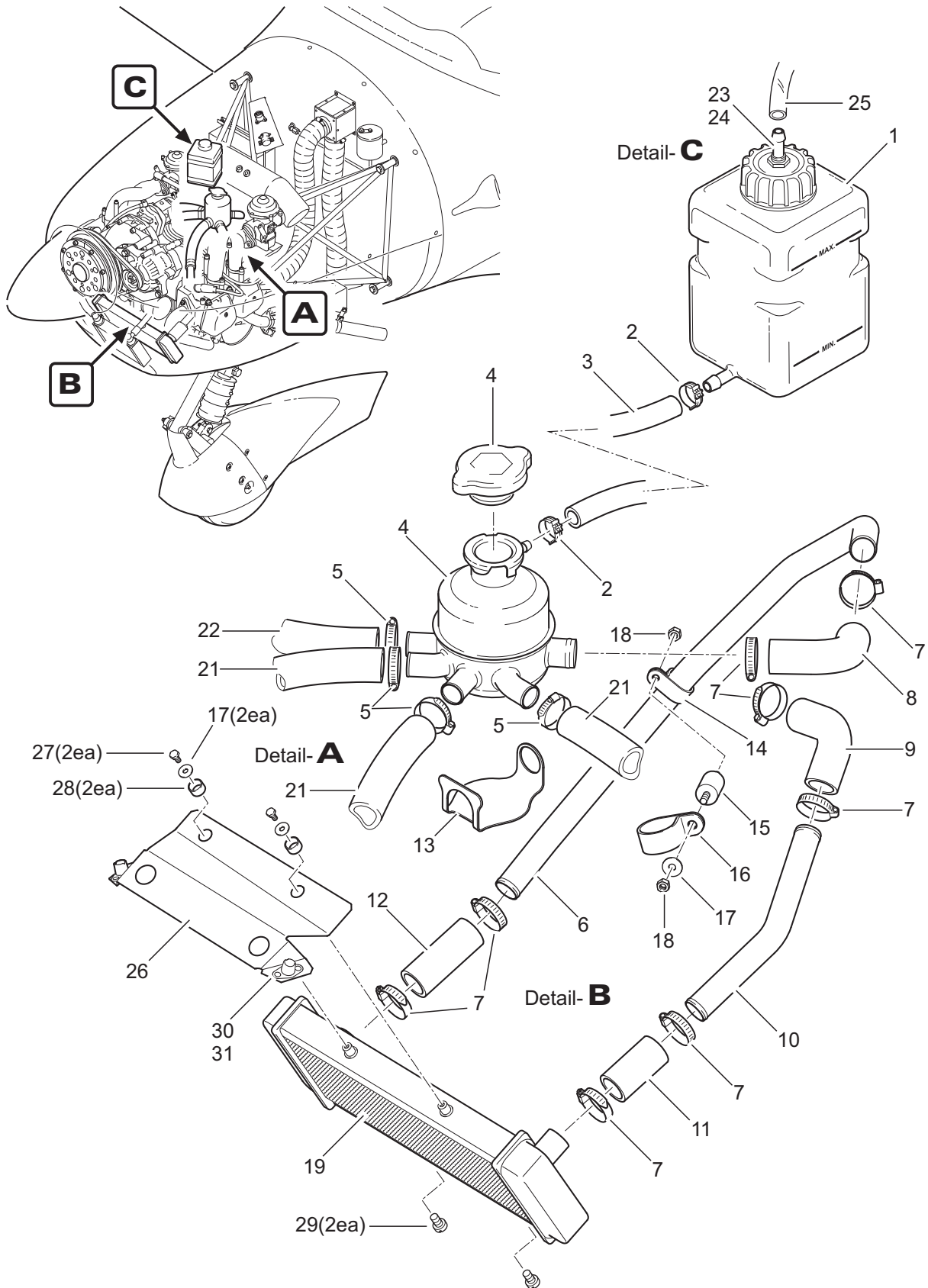
- Item not illustrated

Engine Cooling - General
Figure 1

75-00-00

Page 3

15.05.20



EFFECTIVITY

Aircraft equipped with Rotax 912S

Water Cooling
Figure 2A

75-00-00

Fig. Item	QTY	Part Number	Nomenclature	Effectivity
2A			Water Cooling	Rotax 912S
1	1	AT01-7000-150	overflow bottle with cap	
2	2	AT01-4520_COBRA_12,0/8W4	Cobra hose clamp	
3	1	AT01-4520-630	vacuum hose (1200 mm)	
4	1	AT01-7050-110	expansion tank with cap	
5	4	AT01-7080-409	spring clamp	
6	1	AT01-7050-129	cooling pipe expansion tank / cooler	
7	8	AT01-4520-458	hose clamp	
8	1	AT01-7050-106	hose elbow expansion tank (cut from AT01-1870-222)	
9	1	AT01-7050-105	hose elbow pump (cut from AT01-1870-222)	
10	1	AT01-7050-131	cooling pipe pump / cooler	
11	1	AT01-7050-111	cooling hose LH (cut from AT01-1870-222 or -223)	
12	1	AT01-7050-109	cooling hose RH (cut from AT01-1870-222 or -223)	
13	1	AT01-7080-455	Rubber Plate	
14	1	AT01-4520_RSGU1.23/15W1	pipe clamp	
15	1	AT01-7050-112	rubber buffer	
16	1	AT01-4520_RSGU1.30/15W1	pipe clamp	
17	3	1809021_6,4	washer (ISO 7093 6,4x18)	
18	2	1800985_M6	locknut (ISO 10511 M6)	
19	1	AT01-7050-303	water cooler	
- 20	2	AT01-7070-110	heat protection foil (150mm)	
21	3	AT01-7080-405	hose	
22	1	AT01-7080-232	hose (Rotax: 922192)	
23	1	AT01-4510-136	hose nozzle	
24	2	AT01-4520-228	nut	
25	1	AT01-4520-100	hose (725mm, secured with cable tie AT01-4530-927)	
26	1	AT01-7050-125	cooler mounting bracket	300 - 332 ¹⁾
		AT01-7050-149	cooler mounting bracket (new oil cooler)	333 - 999 ¹⁾
27	2	1800933_M6x12	bolt (ISO 4017 M6x12 8.8)	
28	2	AT01-7050-132	spacer sleeve	
29	2	1801207_M6x10_PA	bolt (ISO 1207 M6x10 PA)	
30	2	AT01-1840-582	Benloc receptacle	
31	4	1807337_3,2x6 ES/ES	rivet (ISO 15984 3,2x6 A2/A2)	
-32	1	AT01-7050-013	winterization kit ("Remove if OAT > 10°C")	
		AT01-7050-014	winterization kit ("Remove if OAT > 5°C" / optional for lower OAT)	

¹⁾ Refer to SI-AT01-018 (annex 18) and Rotax SI-912-024 for further information.

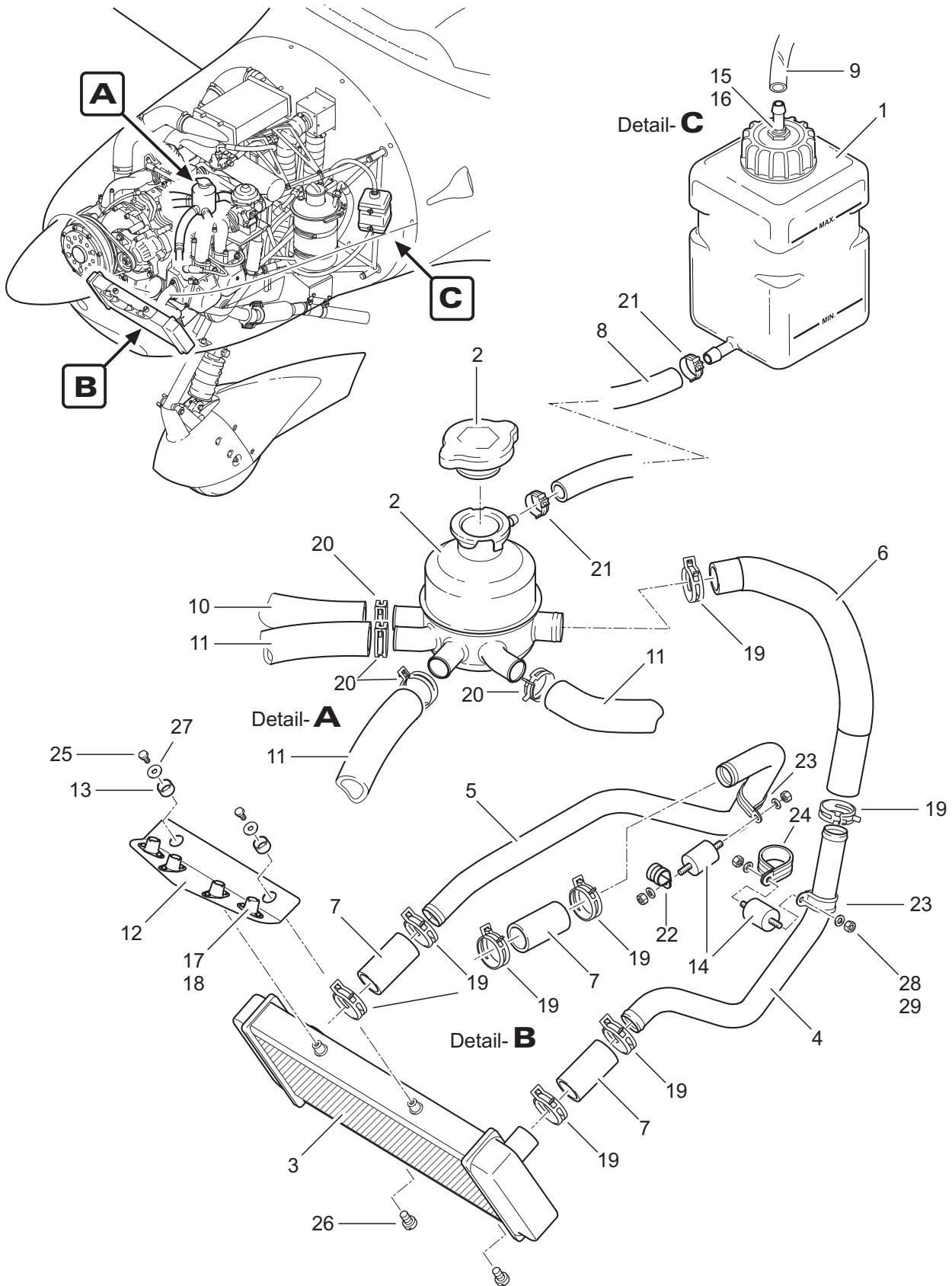
- Item not illustrated

Water Cooling
Figure 2A

75-00-00

Page 5A |

15.05.20



EFFECTIVITY

Aircraft equipped with Rotax 914F

Water Cooling
Figure 2B

75-00-00

Fig. Item	QTY	Part Number	Nomenclature	Effectivity
2B			Water Cooling	Rotax 914F
1	1	AT01-7000-150	overflow bottle with cap	
2	1	AT01-7050-110	expansion tank with cap	
3	1	AT01-7050-303	water cooler	
4	1	AT01-7050-136	cooling pipe expansion tank / cooler	
5	1	AT01-7050-137	cooling pipe cooler / pump	
6	1	AT01-7080-166	cooling hose expansion tank	
7	3	AT01-7050-154	cooling hose (cut from AT01-1870-222)	
8	1	AT01-4520-630	vacuum hose (1200 mm)	
9	1	AT01-4520-100	hose (725 mm, secured with cable tie AT01-4530-927)	
10	1	AT01-7080-232	hose (Rotax: 922192)	
11	3	AT01-7080-405	hose	
12	1	AT01-7050-152	cooler mounting bracket	
13	2	AT01-7050-132	spacer sleeve	
14	2	AT01-7050-112	rubber buffer	
15	1	AT01-4510-136	hose nozzle	
16	2	AT01-4520-228	nut	
17	4	AT01-1840-582	Benloc receptacle	
18	8	1807337_3,2x6 ES/ES	rivet (ISO 15984 3,2x6 A2/A2)	
19	8	AT01-4520-458	hose clamp	
20	4	AT01-7080-409	hose clamp	
21	2	AT01-4520_COBRA_12,0/8W4	Cobra hose clamp	
22	1	AT01-4520_RSGU1.16/15W1	pipe clamp	
23	2	AT01-4520_RSGU1.23/15W1	pipe clamp	
24	1	AT01-4520_RSGU1.30/15W1	pipe clamp	
25	2	1800933_M6x12	bolt (ISO 4017 M6x12 8.8)	
26	2	1801207_M6x10_PA	bolt (ISO 1207 M6x10 PA)	
27	2	1809021_6,4	washer (ISO 7093 6,4x18)	
28	4	1800125_6,4	washer (ISO 7089 6,4x12)	
29	4	1800985_M6	locknut (ISO 10511 M6)	
-30	AR	AT01-7070-110	heat protection foil (250 mm, secured with safety wire AT01-1840-505)	
-31	1	AT01-7050-015	winterization kit Rotax 914	

- Item not illustrated

Water Cooling
Figure 2B

75-00-00

Page 5B

15.05.20



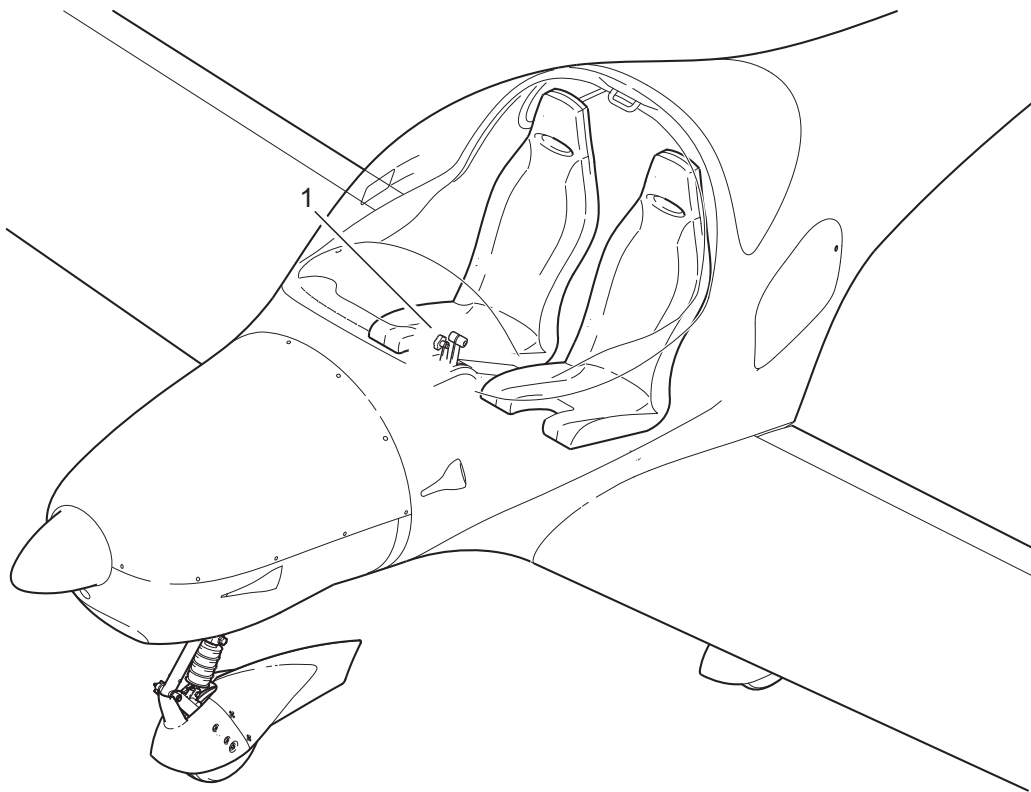
AQUILA AT01-100/200
ILLUSTRATED PARTS CATALOG

CHAPTER 76
ENGINE CONTROLS

TABLE OF CONTENTS

<u>Title</u> <u>Subject</u>	<u>Chapter</u> <u>Section</u> <u>Subject</u>	<u>Page</u>	<u>Effectivity</u>
ENGINE CONTROLS - GENERAL	76-00-00	1	
Engine Controls - General	76-00-00	2	
Throttle / Propeller Control Installation	76-00-00	4A	Rotax 912S
Throttle / Propeller Control Installation	76-00-00	4B	Rotax 914F
Choke Control Installation	76-00-00	6	
Carburetor Heat / Alternate Air Control Installation	76-00-00	8A	Rotax 912S
Carburetor Heat / Alternate Air Control Installation	76-00-00	8B	Rotax 914F
Turbo Charger Control Installation	76-00-00	10	Rotax 914F

ENGINE CONTROLS
GENERAL



Engine Controls - General
Figure 1

Fig. Item	QTY	Part Number	Nomenclature	Effectivity
1			Engine Controls - General	
	1		Throttle / Propeller Control Installation (refer to 76-00-00, figure 2A for details)	Rotax 912S
	1		Throttle / Propeller Control Installation (refer to 76-00-00, figure 2B for details)	Rotax 914F
	-2		Choke Control Installation (refer to 76-00-00, figure 3 for details)	
	-3		Carburetor Heat / Alternate Air Control Installation (refer to 76-00-00, figure 4A for details)	Rotax 912S
	-3		Carburetor Heat / Alternate Air Control Installation (refer to 76-00-00, figure 4B for details)	Rotax 914F
	-4		Turbo Charger Control Installation (refer to 76-00-00, figure 5 for details)	Rotax 914F

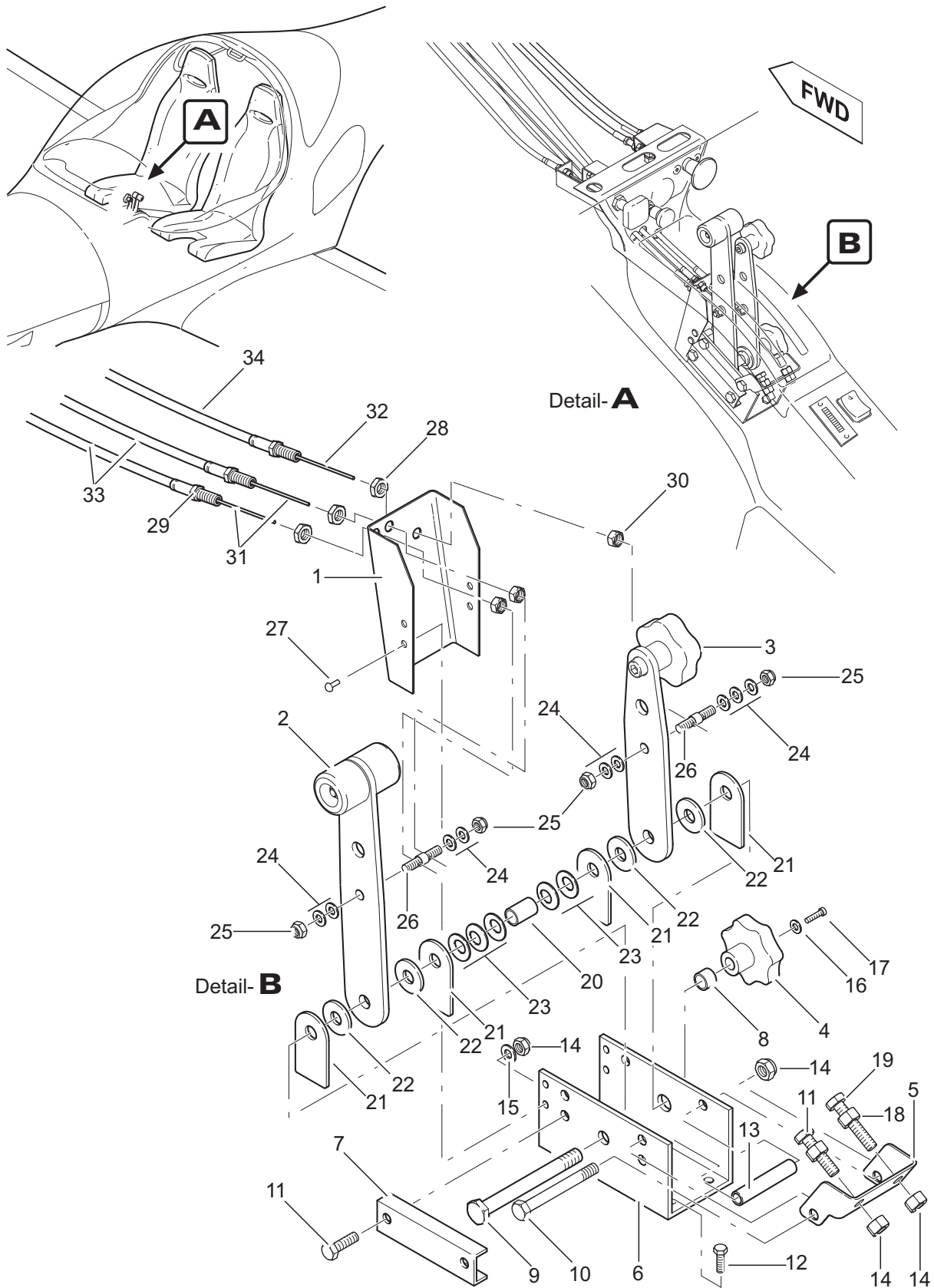
- Item not illustrated

Engine Controls - General
Figure 1

76-00-00

Page 3

15.05.20



EFFECTIVITY
Aircraft equipped
with Rotax 912S

Throttle / Propeller Control Installation
Figure 2A

76-00-00

Fig. Item	QTY	Part Number	Nomenclature	Effectivity
2A			Throttle / Propeller Control Installation	Rotax 912S
1	1	AT01-7020-124	guide plate	
2	1	AT01-7020-004	throttle control lever	
3	1	AT01-7020-005	propeller pitch control lever	
4	1	AT01-7020-102	knob	
5	1	AT01-7020-125	stopper plate	
6	1	AT01-7020-120	mounting bracket (replaced by AT01-7020-146)	
		AT01-7020-146	mounting bracket	
7	1	AT01-7020-121	axle latching (use only with AT01-7020-120)	
		AT01-7020-147	axle latching (use only with AT01-7020-146)	
8	1	AT01-7020-122	bushing	
9	1	AT01-7020-117	axle	
10	2	1800931_M6x60	bolt (ISO 4014 M6x60 8.8)	
11	3	1800933_M6x25	bolt (ISO 4017 M6x25 8.8)	
12	4	1800933_M5x16	bolt (ISO 4017 M5x16 8.8)	
13	2	AT01-7020-123	bushing	
14	6	1800985_M6	locknut (ISO 10511 M6)	
15	3	1800125_6,4	washer (ISO 7089 6,4x12)	
16	1	1800125_4,3	washer (ISO 7089 4,3x8)	
17	1	1807380_4x8	bolt (ISO 7380 M4x8)	
18	2	1800934_M6	nut (DIN 934 M6)	
19	1	1800933_M6x40	bolt (ISO 4017 M6x40 8.8)	
20	1	AT01-7020-119	bushing	
21	4	AT01-7020-145	bearing plate	
22	4	AT01-7020-112	friction washer	
23	5	1802093_8,2	disc spring (DIN 2093 8,2x16x0,9)	
24	9	1800125_5,3	washer (ISO 7089 5,3x10)	
25	4	1800985_M5	locknut (ISO 10511 M5)	
26	2	AT01-7020-107	cable clamping screw	
27	4	1807337_4x8Al/St	rivet (ISO 15984 4x8 Al/St)	
28	3	1800439_M6	nut (ISO 4035 M6)	
29	3	AT01-4510-135	adjusting screw	
30	3	AT01-7020-132	nut	
31	2	AT01-7020-108	Bowden cable (1465 mm)	
32	1	AT01-7020-108	Bowden cable (1870 mm)	
33	2	AT01-7020-130	Bowden cable housing (1235 mm)	
34	1	AT01-7020-130	Bowden cable housing (1530 mm)	

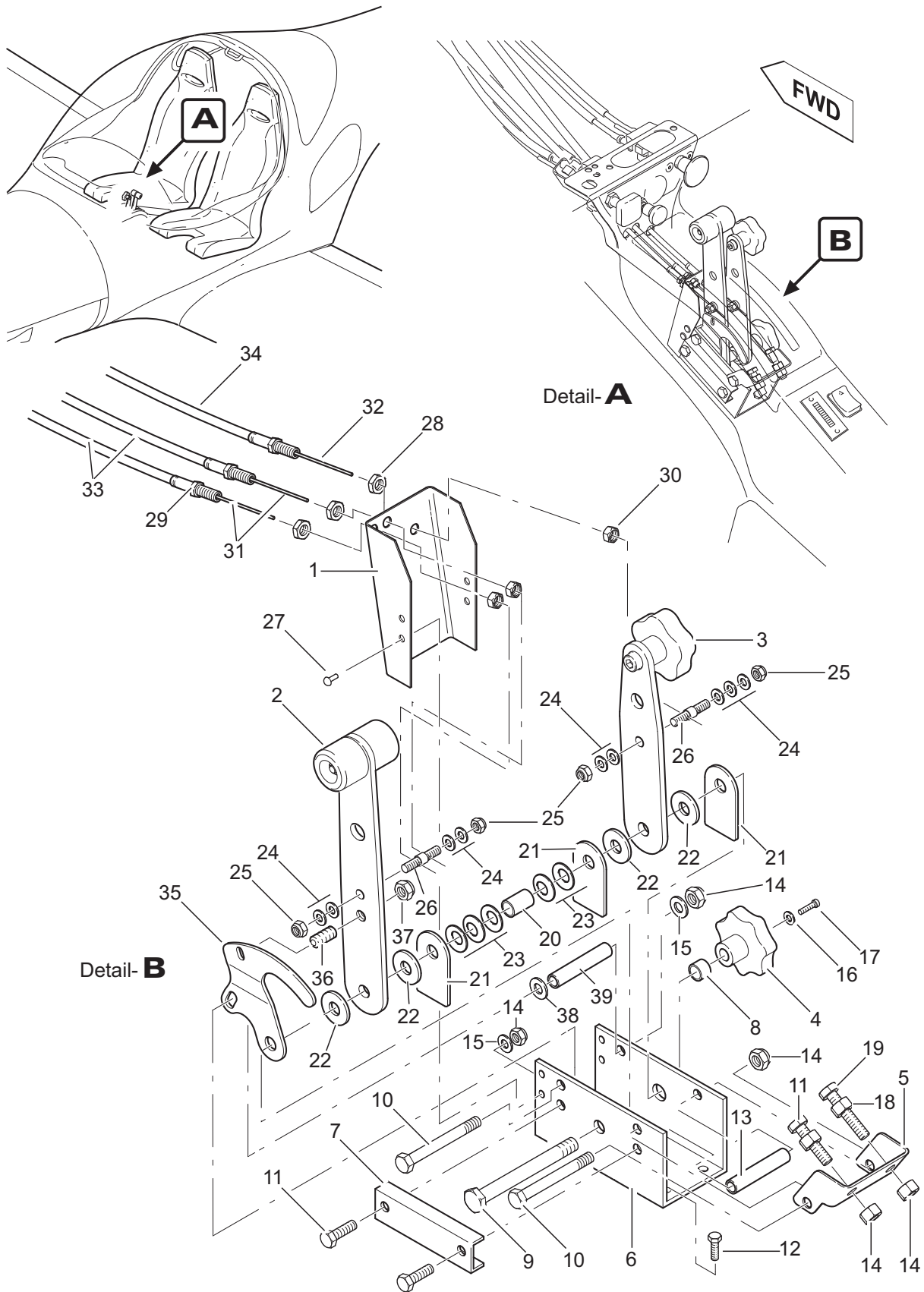
- Item not illustrated

Throttle / Propeller Control Installation
Figure 2A

76-00-00

Page 5A |

15.05.20



EFFECTIVITY
Aircraft equipped
with Rotax 914F

Throttle / Propeller Control Installation
Figure 2B

76-00-00

Fig. Item	QTY	Part Number	Nomenclature	Effectivity
2B			Throttle / Propeller Control Installation	Rotax 914F
1	1	AT01-7020-124	guide plate	
2	1	AT01-7020-004	throttle control lever	
3	1	AT01-7020-005	propeller pitch control lever	
4	1	AT01-7020-102	knob	
5	1	AT01-7020-125	stopper plate	
6	1	AT01-7020-146	mounting bracket	
7	1	AT01-7020-147	axle latching	
8	1	AT01-7020-122	bushing	
9	1	AT01-7020-117	axle	
10	2	1800931_M6x60	bolt (ISO 4014 M6x60 8.8)	
11	3	1800933_M6x25	bolt (ISO 4017 M6x25 8.8)	
12	4	1800933_M5x16	bolt (ISO 4017 M5x16 8.8)	
13	1	AT01-7020-123	bushing	
14	6	1800985_M6	locknut (ISO 10511 M6)	
15	3	1800125_6,4	washer (ISO 7089 6,4x12)	
16	1	1800125_4,3	washer (ISO 7089 4,3x8)	
17	1	1807380_4x8	bolt (ISO 7380 M4x8)	
18	2	1800934_M6	nut (DIN 934 M6)	
19	1	1800933_M6x40	bolt (ISO 4017 M6x40 8.8)	
20	1	AT01-7020-119	bushing	
21	3	AT01-7020-145	bearing plate	
22	4	AT01-7020-112	friction washer	
23	5	1802093_8,2	disc spring (DIN 2093 8,2x16x0,9)	
24	9	1800125_5,3	washer (ISO 7089 5,3x10)	
25	4	1800985_M5	locknut (ISO 10511 M5)	
26	2	AT01-7020-107	cable clamping screw	
27	4	1807337_4x8Al/St	rivet (ISO 15984 4x8 Al/St)	
28	3	1800439_M6	nut (ISO 4035 M6)	
29	3	AT01-4510-135	adjusting screw	
30	3	AT01-7020-132	nut	
31	2	AT01-7020-108	Bowden cable (1440 mm)	
32	1	AT01-7020-108	Bowden cable (1785 mm)	
33	2	AT01-7020-130	Bowden cable housing (1170 mm)	
34	1	AT01-7020-130	Bowden cable housing (1450 mm)	
35	1	AT01-7020-149	detent plate	
36	1	AT01-1860-112	spring plunger M8	
37	1	1800985_M8	locknut (ISO 10511 M8)	
38	1	1800988_6/1	adjusting washer (DIN 988 6x12x1)	
39	1	AT01-7020-148	bushing (short)	

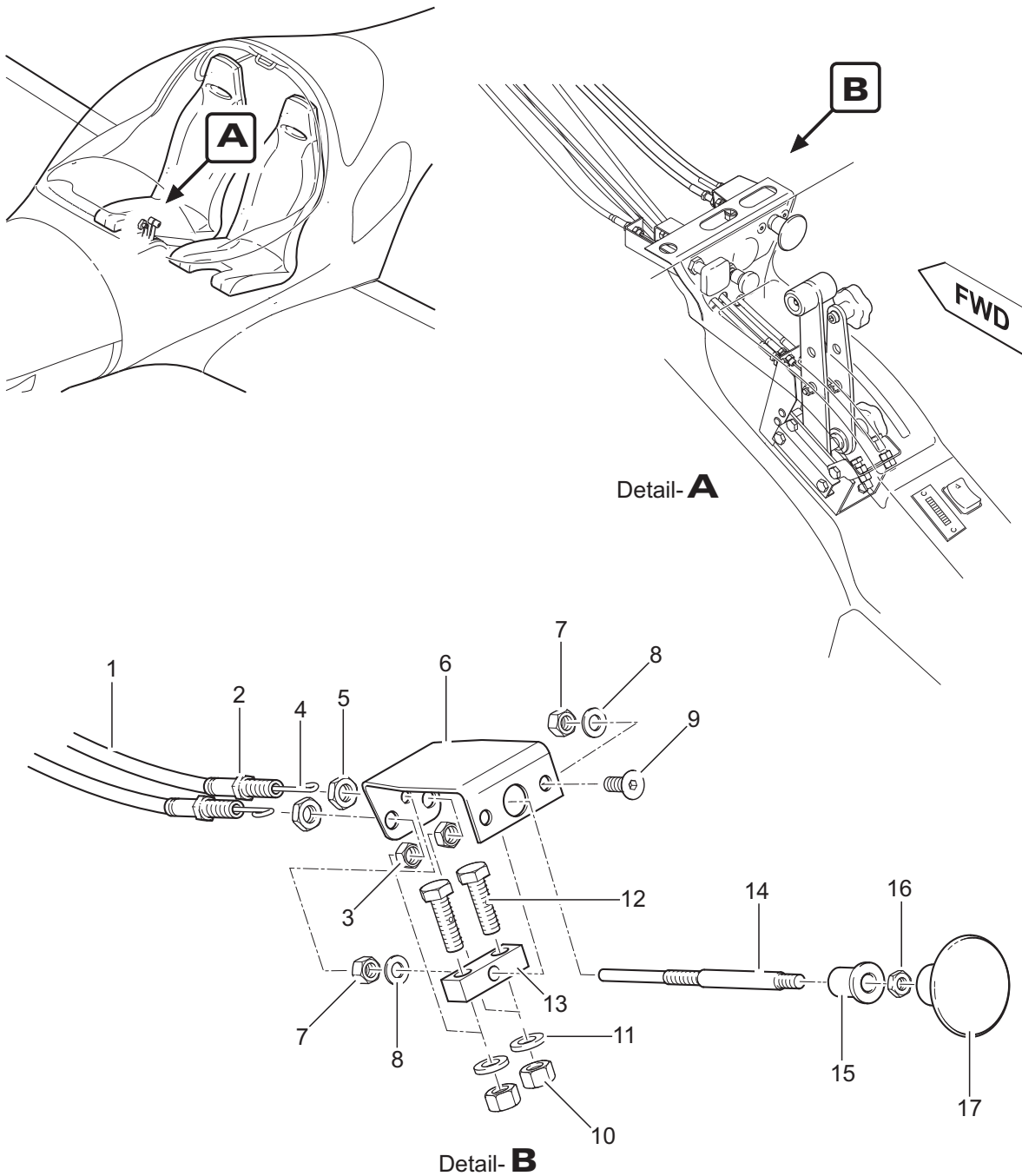
- Item not illustrated

Throttle / Propeller Control Installation
Figure 2B

76-00-00

Page 5B

15.05.20



Choke Control Installation
 Figure 3

Fig. Item	QTY	Part Number	Nomenclature	Effectivity
3			Choke Control Installation	
1	2	AT01-7020-130	Bowden cable housing (1030 mm)	Rotax 912S
		AT01-7020-130	Bowden cable housing (975 mm)	Rotax 914F
2	2	AT01-4510-135	adjusting screw	
3	2	AT01-7020-132	nut	
4	2	AT01-7020-016	control wire (1205 mm)	Rotax 912S
		AT01-7020-017	control wire (1150 mm)	Rotax 914F
5	2	1800439_M6	nut (ISO 4035 M6)	
6	1	AT01-7020-118	mounting bracket	
7	3	1800985_M5	locknut (ISO 10511 M5)	
8	3	1800125_5,3	washer (ISO 7089 5,3x10)	
9	2	1807991_M5x10	bolt (ISO 10642 M5x10 8.8)	
10	2	1800985_M6	locknut (ISO 10511 M6)	
11	2	1800125_6,4	washer (ISO 7089 6,4x10)	
12	2	AT01-7020-110	clamping screw	
13	1	AT01-7020-111	clamp	
14	1	AT01-7020-109	pull rod	
15	1	1850028	bearing bush	
16	1	1800439_M5	nut (ISO 4035 M5)	
17	1	AT01-7020-128	control knob	

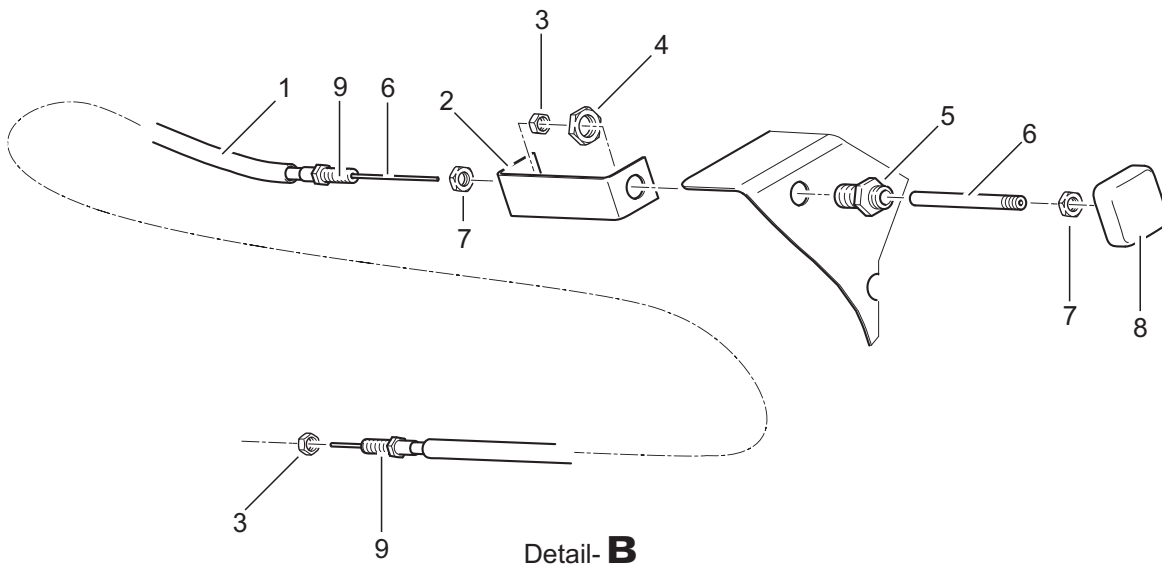
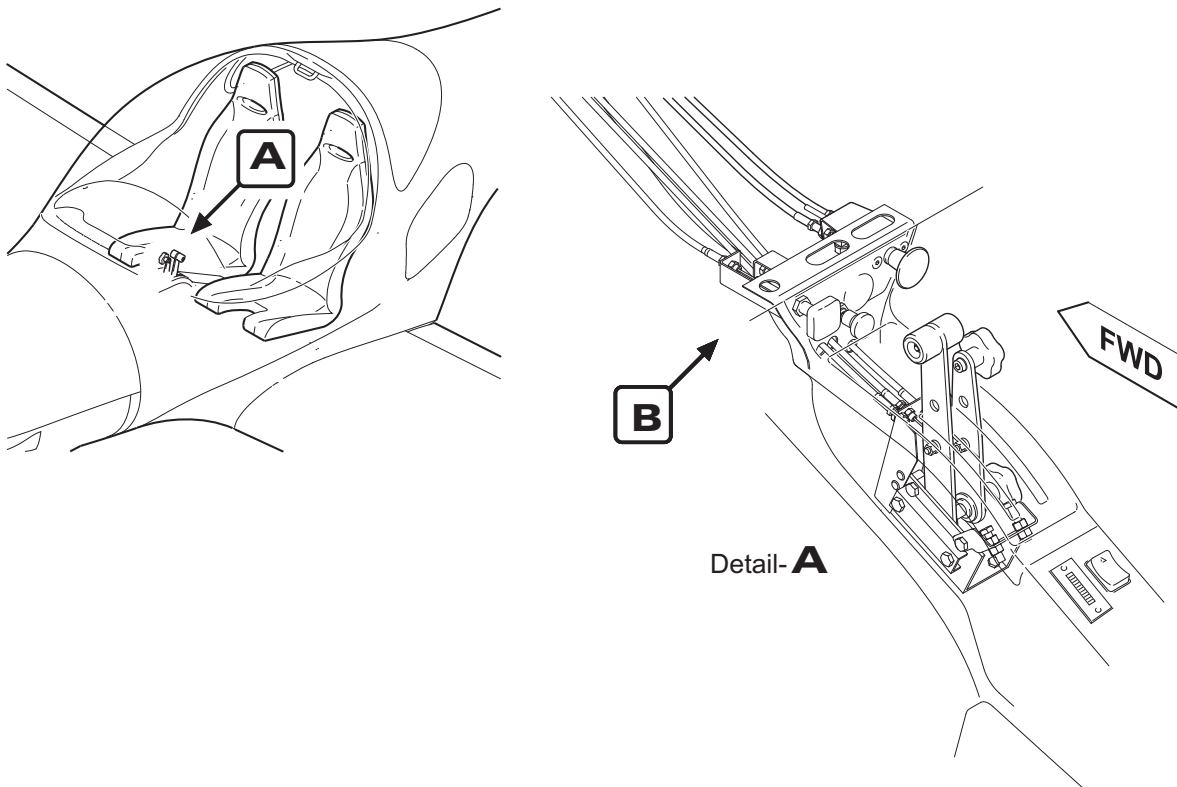
- Item not illustrated

Choke Control Installation
Figure 3

76-00-00

Page 7

15.05.20



EFFECTIVITY
Aircraft equipped
with Rotax 912S

Carburetor Heat / Alternate Air Control Installation
Figure 4A

76-00-00

Page 8A

15.05.20

Fig. Item	QTY	Part Number	Nomenclature	Effectivity
4A			Carburetor Heat / Alternate Air Control Installation	Rotax 912S
	1	AT01-7020-130	Bowden cable housing (1080 mm)	
	2	AT01-7020-114	mounting bracket	
	3	AT01-7020-132	nut	
	4	AT01-4520-228	nut	
	5	AT01-4510-149	bulkhead fitting	
	6	AT01-7020-018	control wire assembly (1320 mm / incl. pull rod)	
	7	1800439_M6	nut (ISO 4035 M6)	
	8	AT01-7020-106	control knob	
	9	AT01-4510-135	adjusting screw	
	-10	AT01-4520-424	PVC hose (500 mm in front of / 400 mm behind firewall)	

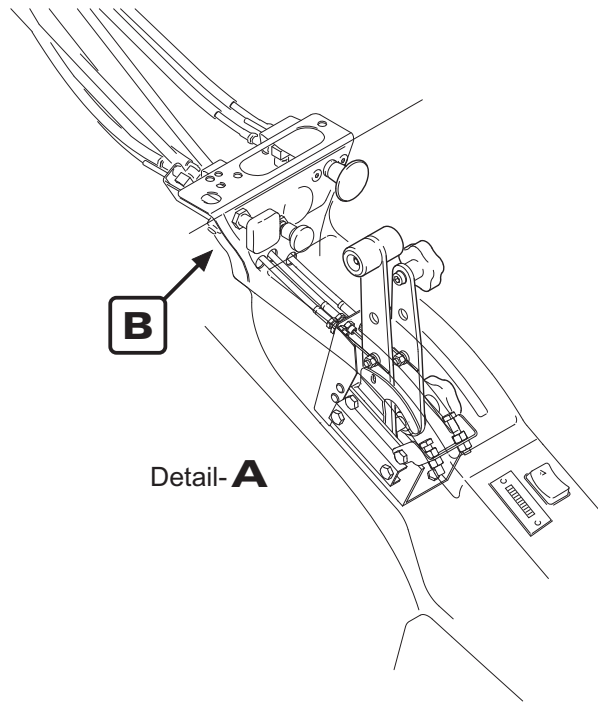
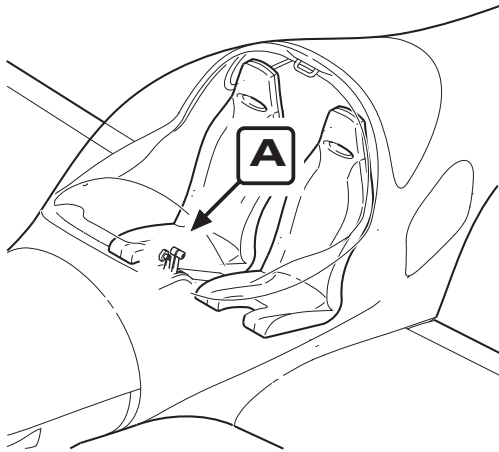
- Item not illustrated

Carburetor Heat / Alternate Air Control Installation
Figure 4A

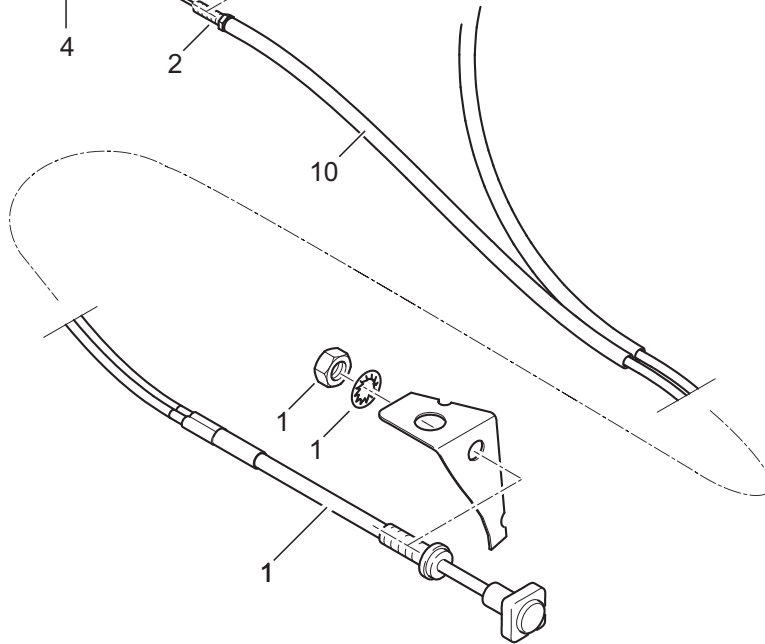
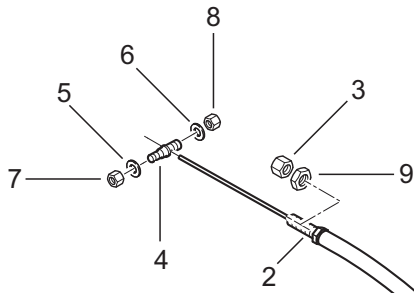
76-00-00

Page 9A

15.05.20



Detail- **A**



Detail- **B**

EFFECTIVITY
Aircraft equipped
with Rotax 914F

Carburetor Heat / Alternate Air Control Installation
Figure 4B

76-00-00

Page 8B

15.05.20

Fig. Item	QTY	Part Number	Nomenclature	Effectivity
4B			Carburetor Heat / Alternate Air Control Installation	Rotax 914F
1	1	AT01-7020-020	dual push-to-unlock control assembly (incl. lockwasher and nut)	
2	2	AT01-4510-135	adjusting screw	
3	2	AT01-7020-132	nut	
4	2	AT01-2600-107	cable clamping screw	
5	2	1800125_4,3	washer (ISO 7089 4,3x9)	
6	2	1800125_5,3	washer (ISO 7089 5,3x10)	
7	2	1800985_M4	locknut (ISO 10511 M4)	
8	2	1800985_M5	locknut (ISO 10511 M5)	
9	2	1800439_M6	nut (ISO 4035 M6)	
10	AR	AT01-4520-424	PVC hose	

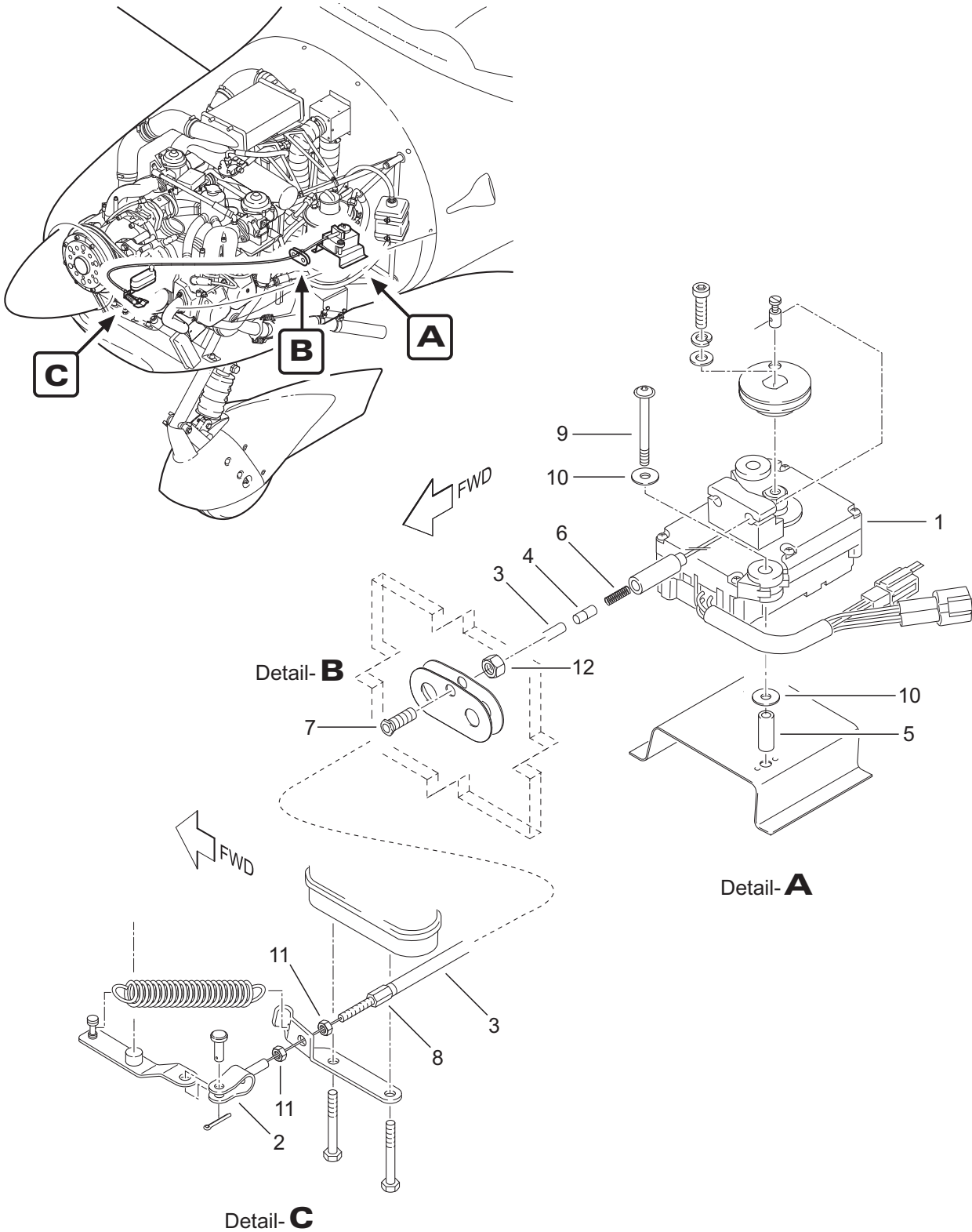
- Item not illustrated

Carburetor Heat / Alternate Air Control Installation
Figure 4B

76-00-00

Page 9B

15.05.20



EFFECTIVITY
Aircraft equipped
with Rotax 914F

Turbo Charger Control Installation
Figure 5

76-00-00

Fig. Item	QTY	Part Number	Nomenclature	Effectivity
5			Turbo Charger Control Installation	Rotax 914F
1	1	AT01-7080-348	wastegate motor	
2	1	AT01-7080-167	wastegate control Bowden cable wire assembly	
3	1	AT01-7020-130	Bowden cable housing (800 mm)	
4	1	AT01-7000-126	bushing	
5	2	AT01-7000-127	spacer sleeve	
6	1	Ro 239015	compression spring	
7	1	AT01-7000-138	firewall bushing	
8	1	AT01-4510-135	adjusting screw	
9	2	1807380_6x55 ULF	bolt (ISO 7380 M6x55 ULF)	
10	4	1809021_6,4	washer (ISO 7093 6,4x18)	
11	2	1800439_M6	nut (ISO 4035 M6)	
12	1	1800985_M8	locknut (ISO 10511 M8)	

- Item not illustrated

Turbo Charger Control Installation
Figure 5

76-00-00

Page 11

15.05.20



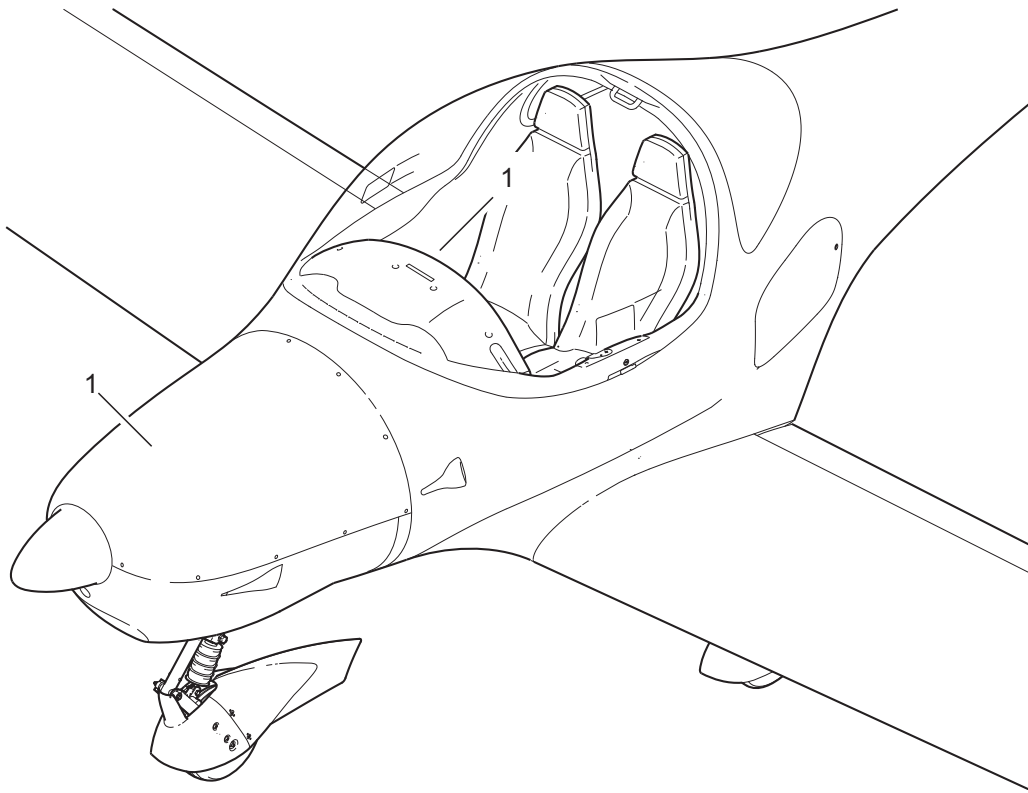
AQUILA AT01-100/200
ILLUSTRATED PARTS CATALOG

CHAPTER 77
ENGINE INDICATING

TABLE OF CONTENTS

<u>Title</u> <u>Subject</u>	<u>Chapter</u> <u>Section</u> <u>Subject</u>	<u>Page</u>	<u>Effectivity</u>
ENGINE INDICATING - GENERAL	77-00-00	1	
Engine Indicating - General	77-00-00	2	
Engine Indicating - Instruments / Probes	77-00-00	4A	analog instr.
Engine Indicating - Instruments / Probes	77-00-00	4B	MVP-50

ENGINE INDICATING
GENERAL



Engine Indicating - General
Figure 1

Fig. Item	QTY	Part Number	Nomenclature	Effectivity
1			Engine Indicating - General	
	1		Engine Indicating - Instruments / Probes (refer to 77-00-00, figure 2A for details)	analog instr.
	1		Engine Indicating - Instruments / Probes (refer to 77-00-00, figure 2B for details)	MVP-50

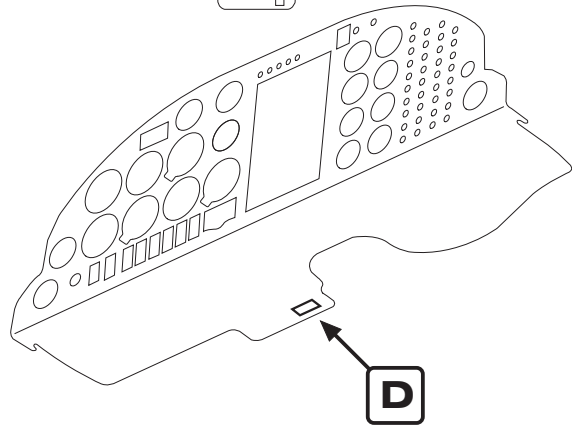
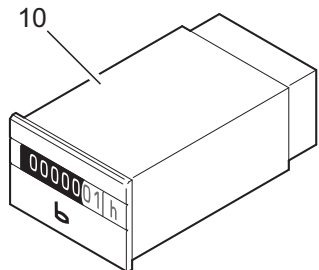
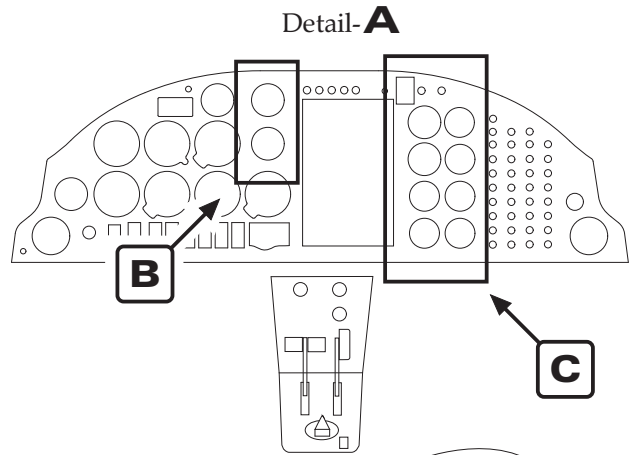
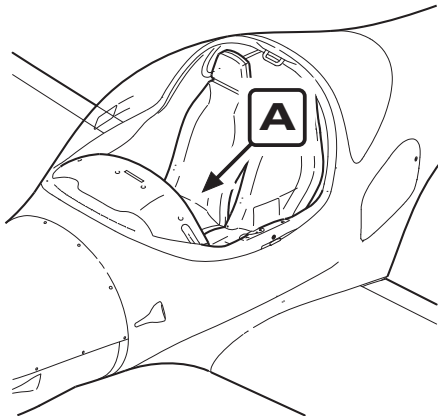
- Item not illustrated

Engine Indicating - General
Figure 1

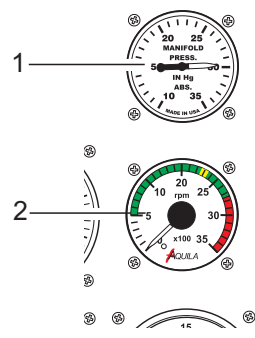
77-00-00

Page 3

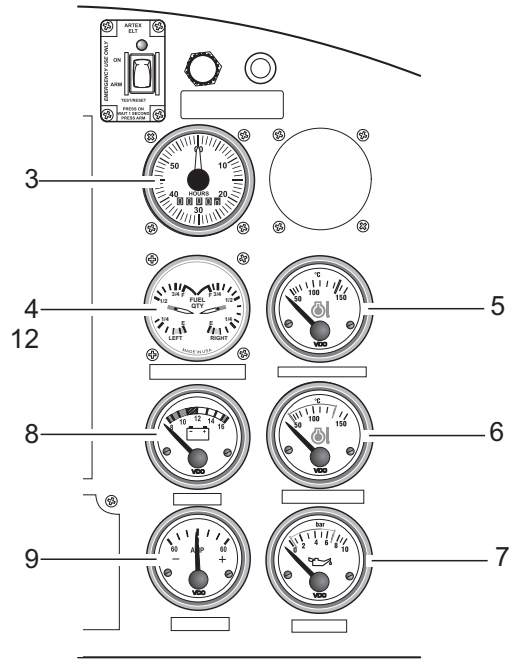
15.05.20



Detail-**D**



Detail-**B**



Detail-**C**

EFFECTIVITY
Aircraft equipped
with analog engine
instruments

Engine Indicating - Instruments / Probes
Figure 2A

77-00-00

Fig. Item	QTY	Part Number	Nomenclature	Effectivity
2A			Engine Indicating - Instruments / Probes	analog instr.
1	1	AT01-2840-129	manifold pressure gauge	
2	1	AT01-7030-104	propeller tachometer	
3	1	AT01-2840-186	operating hours meter (Winter / Ø 57mm / optional)	
4	1	AT01-2840-206	dual fuel level gauge (old wiring ¹⁾)	300 - 309
		AT01-2840-220	dual fuel level gauge (new wiring ¹⁾)	310 - 326
		AT01-2840-226	dual fuel level gauge (new wiring ¹⁾)	327 - 999
5	1	AT01-2840-218	cylinder head temperature gauge (129°C CHT limit)	129°C limit ³⁾
		AT01-2840-225	cylinder head temperature gauge (120°C CHT limit)	120°C limit ³⁾
6	1	AT01-2840-123	oil temperature gauge	
7	1	AT01-2840-165	oil pressure gauge	
8	1	AT01-2840-126	voltmeter	
9	1	AT01-2840-121	ammeter	
10	1	AT01-2840-189	operating hours meter (Bauser)	
-11	1	AT01-2840-183	operating hours meter (FliSys / Ø 57mm / optional)	
-12	1	AT01-8040-002	fuel gauge calibration module (old wiring ¹⁾ / optional ²⁾)	300 - 309
		AT01-8040-001	fuel gauge calibration module (new wiring ¹⁾ / optional ²⁾)	310 - 999
-13	1	AT01-7030-205	carburetor temperature indicator (optional)	
-14	1	AT01-7030-204	carburetor temperature probe (optional)	

¹⁾Fuel gauge 2840-206 is compatible with calibration module 8040-002 only (old wiring).

Fuel gauges 2840-220 and 2840-226 are compatible with calibration module 8040-001 only (new wiring).

²⁾Fuel gauge calibration modules require specific levers on the fuel level sensors:

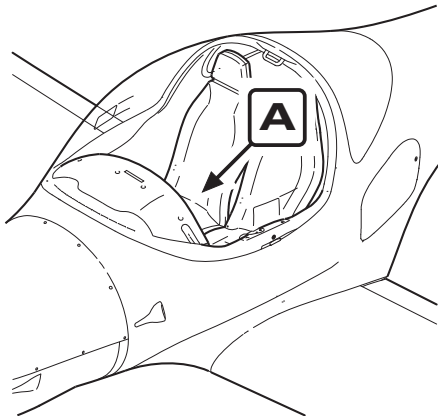
Up to S/N AT01-326: If the gauge is operated without a calibration module, the lever AT01-8030-178 must be used on the fuel level sensor. If a calibration module is used, the lever AT01-8030-186 must be used.

From S/N AT01-327: Fuel gauge operation is possible with calibration module and lever AT01-8030-187 only.

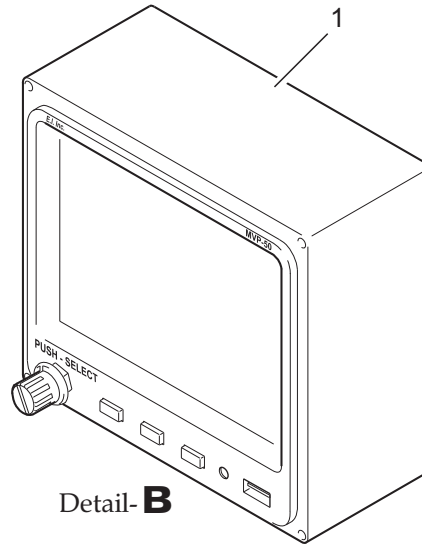
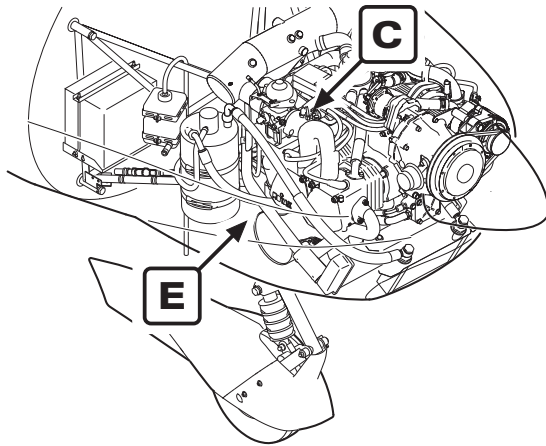
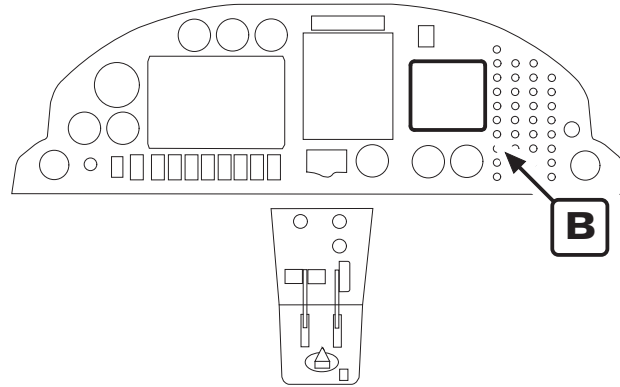
Refer to 28-00-00 for further information.

³⁾Cylinder head temperature limit depends on the type of Rotax cylinder heads installed.

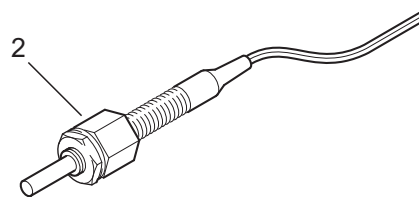
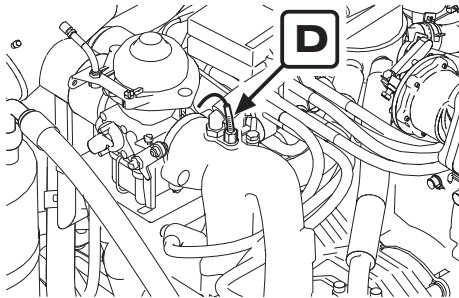
Refer to SB-AT01-029 for further information.



Detail-**A**

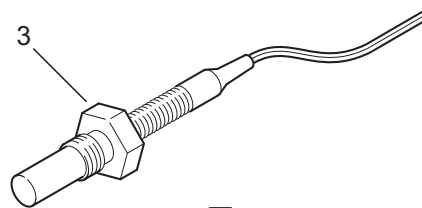
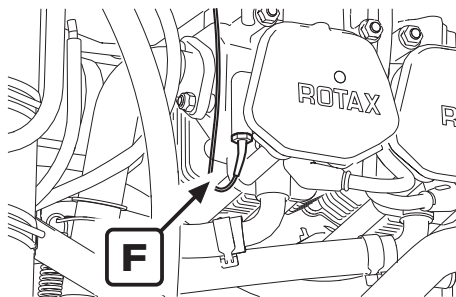


Detail-**B**



Detail-**D**

Detail-**C**



Detail-**F**

Detail-**E**

EFFECTIVITY

Aircraft equipped with MVP-50 engine monitoring system

Engine Indicating - Instruments / Probes
Figure 2B (1)

77-00-00

Page 4B

15.05.20

Fig. Item	QTY	Part Number	Nomenclature	Effectivity
2B(1)			Engine Indicating - Instruments / Probes	MVP-50
1	1	AT01-2840-111	engine monitoring system display	Rotax 912S
		AT01-2840-113	engine monitoring system display	Rotax 914F
2	1	AT01-2840-227	carburetor temperature probe (replaces AT01-7030-204)	
3	1	AT01-2840-217	cylinder head temperature probe P-103	
-4	AR	AT01-4530-252	temperature sensor connector plug	
-5	AR	AT01-4530-253	temperature sensor connector socket	

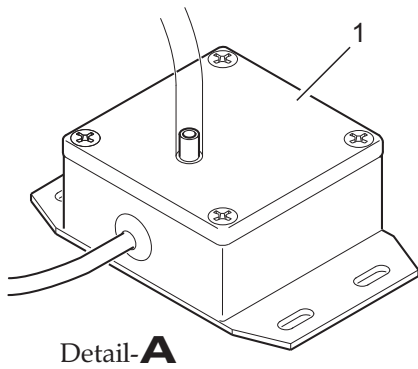
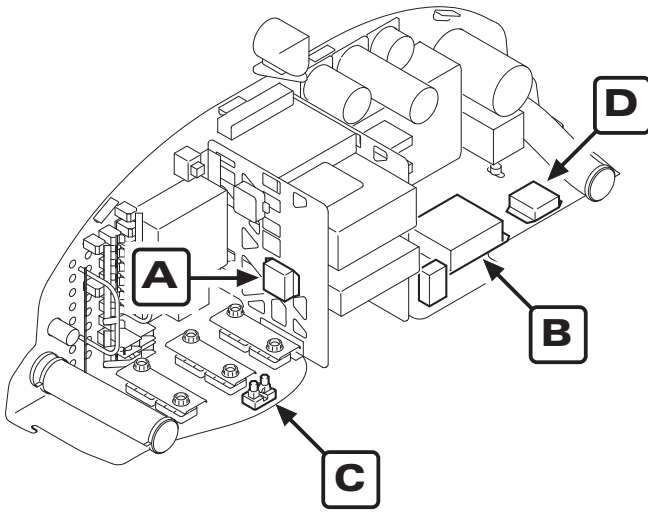
- Item not illustrated

Engine Indicating - Instruments / Probes
Figure 2B (1)

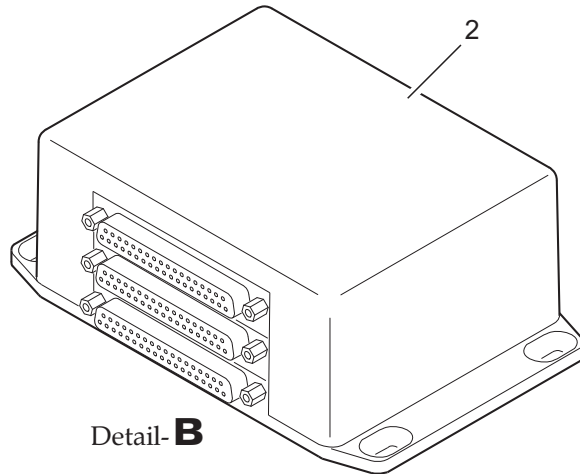
77-00-00

Page 5B

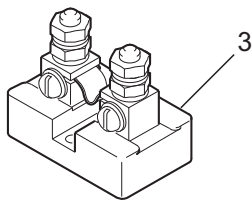
15.05.20



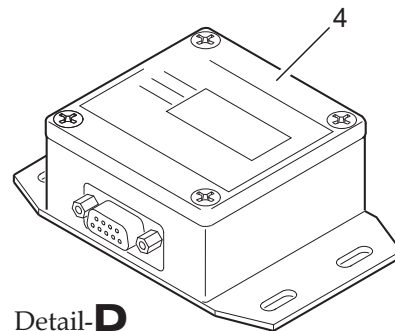
Detail-**A**



Detail-**B**



Detail-**C**



Detail-**D**

EFFECTIVITY

Aircraft equipped with MVP-50 engine monitoring system

Engine Indicating - Instruments / Probes
Figure 2B (2)

77-00-00

Page 6B

15.05.20

Fig. Item	QTY	Part Number	Nomenclature	Effectivity
2B(2)			Engine Indicating - Instruments / Probes	MVP-50
1	1	AT01-2840-209	manifold pressure transducer PT-30ABS	Rotax 912S
		AT01-2840-221	manifold pressure transducer PT-60ABS	Rotax 914F
2	1	AT01-2840-210	engine data converter	
3	1	AT01-4530-682	external shunt	
4	1	AT01-2840-212	resistive fuel level module	
-5	1	AT01-2840-211	temperature compensator	
-6	1	AT01-2840-213	engine speed interface Rotax	
-7	1	AT01-2840-214	outside air temperature probe P-128	optional
-8	1	AT01-2840-247	voltmeter / ammeter module	Rotax 914F

- Item not illustrated

Engine Indicating - Instruments / Probes
Figure 2B (2)

77-00-00

Page 7B

15.05.20



AQUILA AT01-100/200
ILLUSTRATED PARTS CATALOG

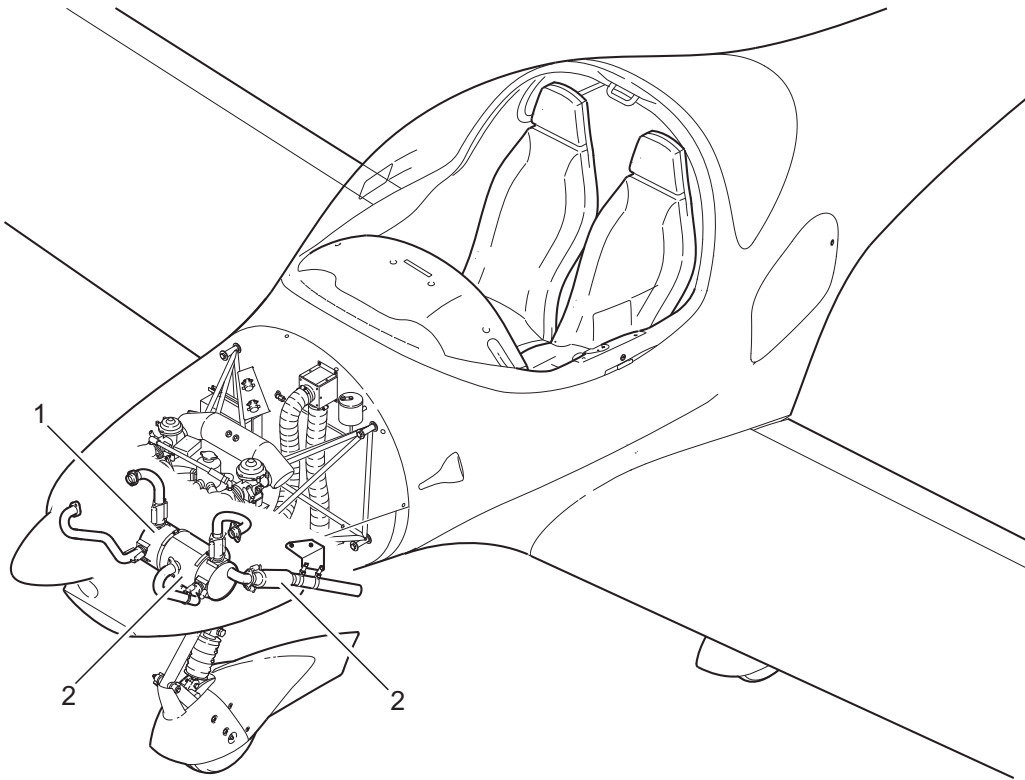
CHAPTER 78

EXHAUST

TABLE OF CONTENTS

<u>Title</u> <u>Subject</u>	<u>Chapter</u> <u>Section</u> <u>Subject</u>	<u>Page</u>	<u>Effectivity</u>
EXHAUST - GENERAL	78-00-00	1	
Exhaust - General	78-00-00	2	
Main Muffler Installation	78-00-00	4	Rotax 912S
Heat Exchanger / Rear Muffler Installation	78-00-00	6A	Rotax 912S
Heat Exchanger / Rear Muffler Installation	78-00-00	6B	Rotax 914F

EXHAUST - GENERAL



Exhaust - General
Figure 1

Fig. Item	QTY	Part Number	Nomenclature	Effectivity
1			Exhaust - General	
	1		Main Muffler Installation (refer to 78-00-00, figure 2 for details)	Rotax 912S
	2		Heat Exchanger / Rear Muffler Installation (refer to 78-00-00, figure 3A for details)	Rotax 912S
	-2		Heat Exchanger / Rear Muffler Installation (refer to 78-00-00, figure 3B for details)	Rotax 914F

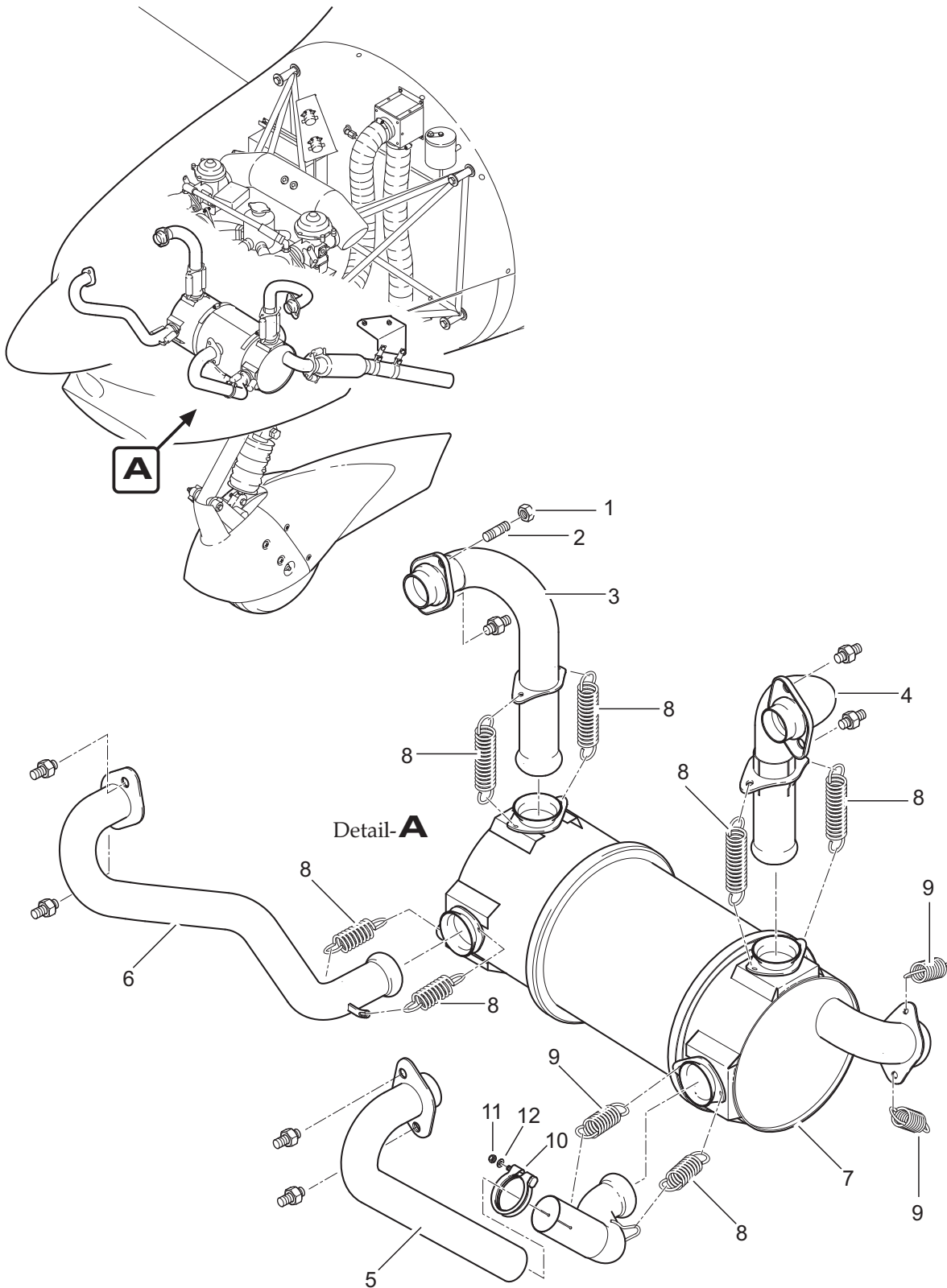
- Item not illustrated

Exhaust - General
Figure 1

78-00-00

Page 3

15.05.20



EFFECTIVITY

Aircraft equipped
with Rotax 912S

Main Muffler Installation
Figure 2

78-00-00

Fig. Item	QTY	Part Number	Nomenclature	Effectivity
2			Main Muffler Installation	Rotax 912S
1	8	AT01-7070-103	locknut (M8)	
2	8	AT01-7080-378	stud (M8x23/20)	
3	1	AT01-7070-040	exhaust manifold RH rear	
4	1	AT01-7070-007	exhaust manifold LH rear	
5	1	AT01-7070-008	exhaust manifold LH front	
6	1	AT01-7070-009	exhaust manifold RH front	
7	1	AT01-7070-100	exhaust muffler	
8	7	AT01-7070-102	spring long	
9	3	AT01-7070-101	spring short	
10	1	AT01-7070-122	pipe clamp	
11	1	1800980_M08_10	locknut (ISO 7042 M8; part of item 10)	
12	1	1800125_8,4	washer (ISO 7089 8,4x16; part of item 10)	

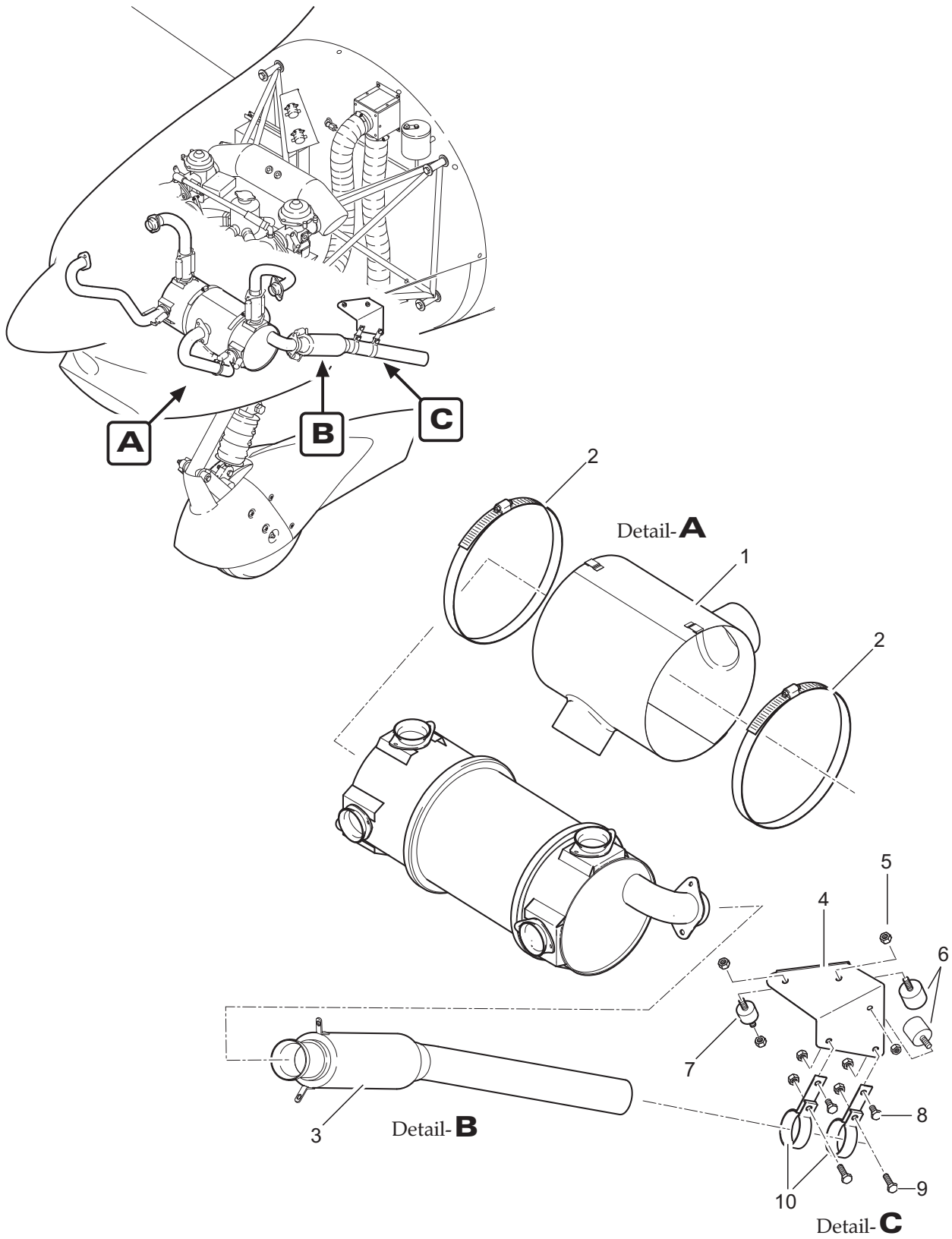
- Item not illustrated

Main Muffler Installation
Figure 2

78-00-00

Page 5

15.05.20



EFFECTIVITY

Aircraft equipped
with Rotax 912S

Heat Exchanger / Rear Muffler Installation
Figure 3A

78-00-00

Fig. Item	QTY	Part Number	Nomenclature	Effectivity
3A			Heat Exchanger / Rear Muffler Installation	Rotax 912S
1	1	AT01-7000-105	heat shroud	
2	2	AT01-4520-498	clamp (150-170mm)	
3	1	AT01-7070-003	rear muffler	
4	1	AT01-7070-105	tail pipe mounting plate	
5	8	1800980_M6_10	locknut (ISO 7042 M6)	
6	2	AT01-7070-151	rubber buffer type D	
7	1	AT01-7070-150	rubber buffer type A	
8	2	1800933_M6x12	bolt (ISO 4017 M6x12 8.8)	
9	2	1800933_M6x20	bolt (ISO 4017 M6x20 8.8)	
10	2	AT01-7070-006	clamp	

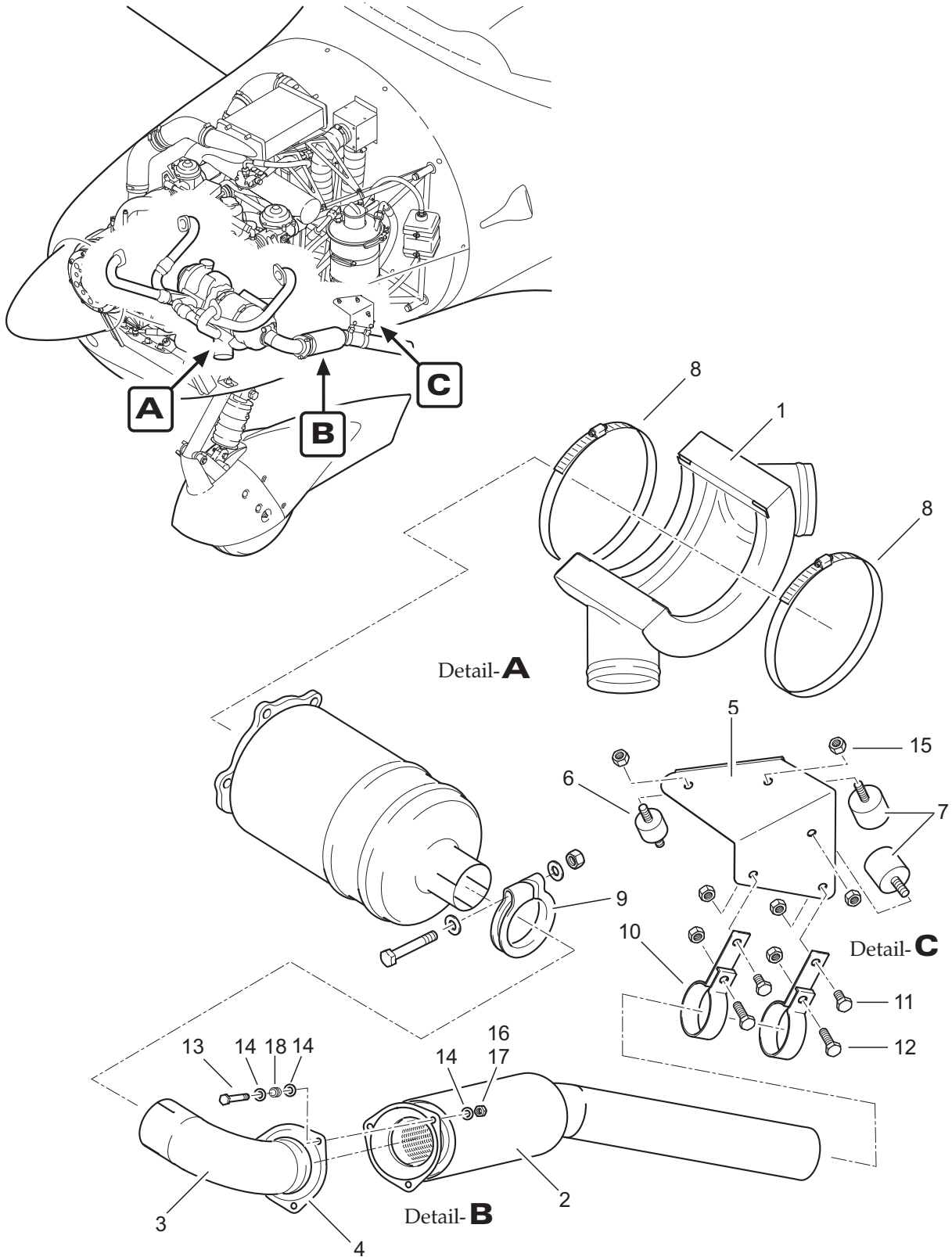
- Item not illustrated

Heat Exchanger / Rear Muffler Installation
Figure 3A

78-00-00

Page 7A |

15.05.20



EFFECTIVITY

Aircraft equipped
with Rotax 914F

Heat Exchanger / Rear Muffler Installation
Figure 3B

78-00-00

Fig. Item	QTY	Part Number	Nomenclature	Effectivity
3B			Heat Exchanger / Rear Muffler Installation	Rotax 914F
1	1	AT01-7000-030	heat shroud	
2	1	AT01-7070-019	rear muffler	
3	1	AT01-7070-021	exhaust bend	
4	1	AT01-7070-145	mounting ring	
5	1	AT01-7070-105	tail pipe mounting plate	
6	1	AT01-7070-150	rubber buffer type A	
7	2	AT01-7070-151	rubber buffer type D	
8	2	AT01-4520-482	clamp (89-140mm / included in heat shroud AT01-7000-030)	
9	1	AT01-7070-147	clamp (43-46mm / including bolt, washer and nut)	
10	2	AT01-7070-146	clamp (Ø 44mm)	
11	2	1800933_M6x12	bolt (ISO 4017 M6x12 8.8)	
12	2	1800933_M6x20	bolt (ISO 4017 M6x20 8.8)	
13	3	AT01-1840-124	bolt (AN3C14)	
14	9	AT01-1840-118	washer (NAS1149C0363R)	
15	8	1800980_M6_10	locknut (ISO 7042 M6)	
16	3	AT01-1840-125	castle nut (AN310-3)	
17	3	AT01-1840-126	cotter pin (MS24665-151)	
18	3	AT01-7070-148	spring	
-19	1	AT01-4520-600	air hose (red / Ø 63mm / approx. 100mm)	
-20	1	AT01-4520_TO50-70/9C7W2	clamp (attachment of air hose to heat shroud)	

- Item not illustrated

Heat Exchanger / Rear Muffler Installation
Figure 3B

78-00-00

Page 7B

15.05.20



AQUILA AT01-100/200
ILLUSTRATED PARTS CATALOG

CHAPTER 79

OIL

TABLE OF CONTENTS

<u>Title</u> <u>Subject</u>	<u>Chapter</u> <u>Section</u> <u>Subject</u>	<u>Page</u>	<u>Effectivity</u>
OIL - GENERAL	79-00-00	1	
Oil - General	79-00-00	2	
Oil System	79-00-00	4A	Rotax 912S
Oil System	79-00-00	4B	Rotax 914F
Oil Tank Assembly	79-00-00	6	
Oil Filter / Oil Indicating System	79-00-00	8	
Oil Pressure Indicating System	79-00-00	10	MVP-50

OIL
GENERAL

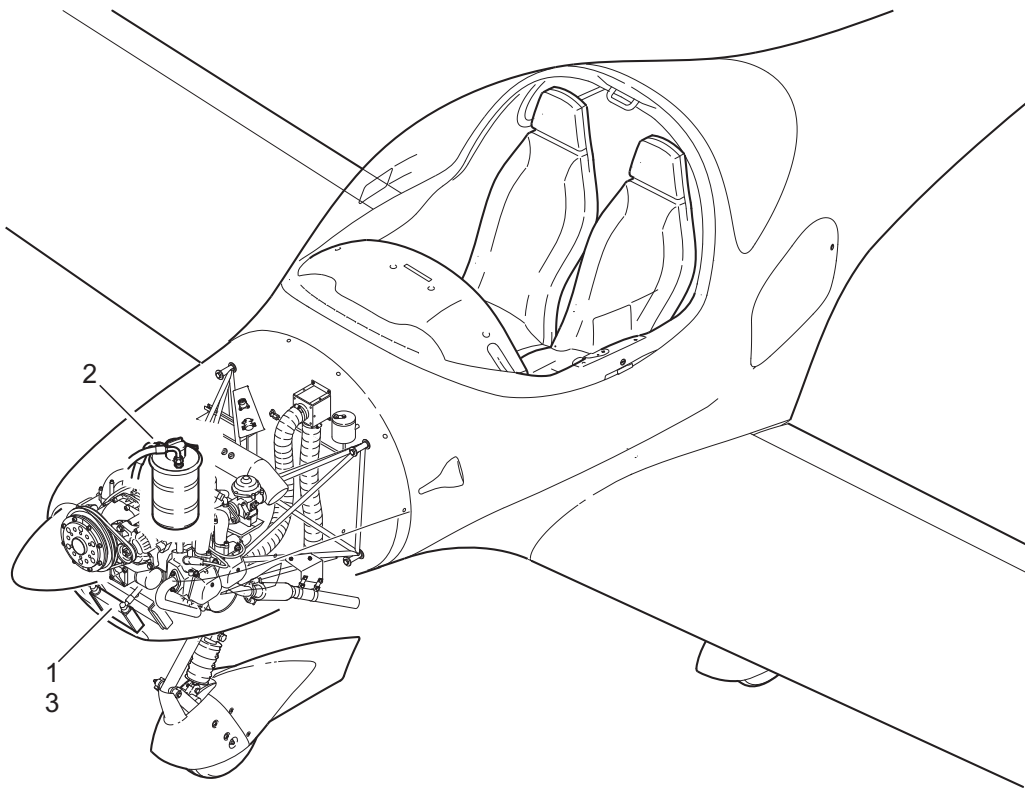


Fig. Item	QTY	Part Number	Nomenclature	Effectivity
1			Oil - General	
	1		Oil System (refer to 79-00-00, figure 2A for details)	Rotax 912S
	-1		Oil System (refer to 79-00-00, figure 2B for details)	Rotax 914F
	2		Oil Tank Assembly (refer to 79-00-00, figure 3 for details)	
	3		Oil Filter / Oil Indicating System (refer to 79-00-00, figure 4 for details)	
	-4		Oil Pressure Indicating System (refer to 79-00-00, figure 5 for details)	MVP-50

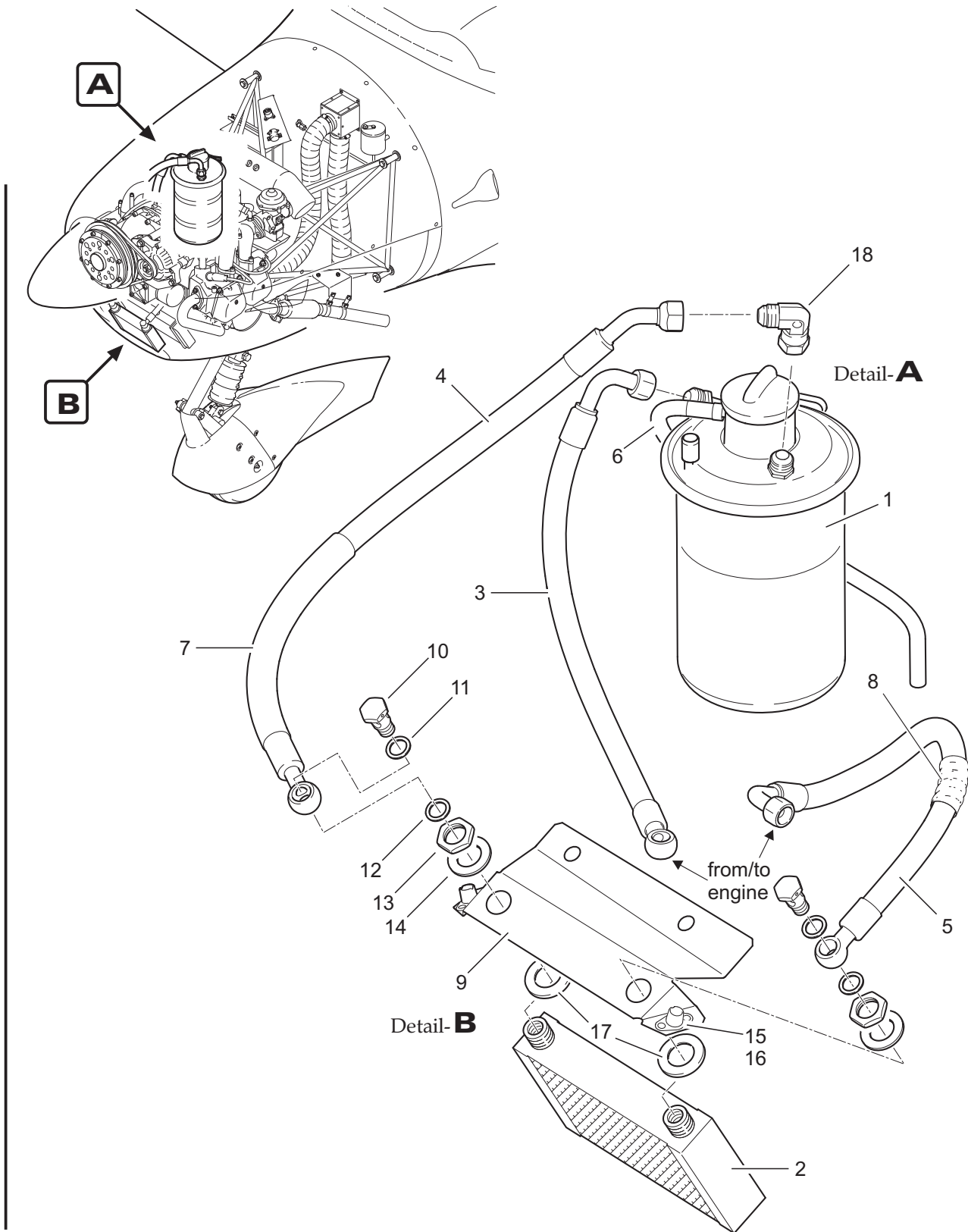
- Item not illustrated

Oil - General
Figure 1

79-00-00

Page 3

15.05.20



EFFECTIVITY

Aircraft equipped
with Rotax 912S

Oil System
Figure 2A

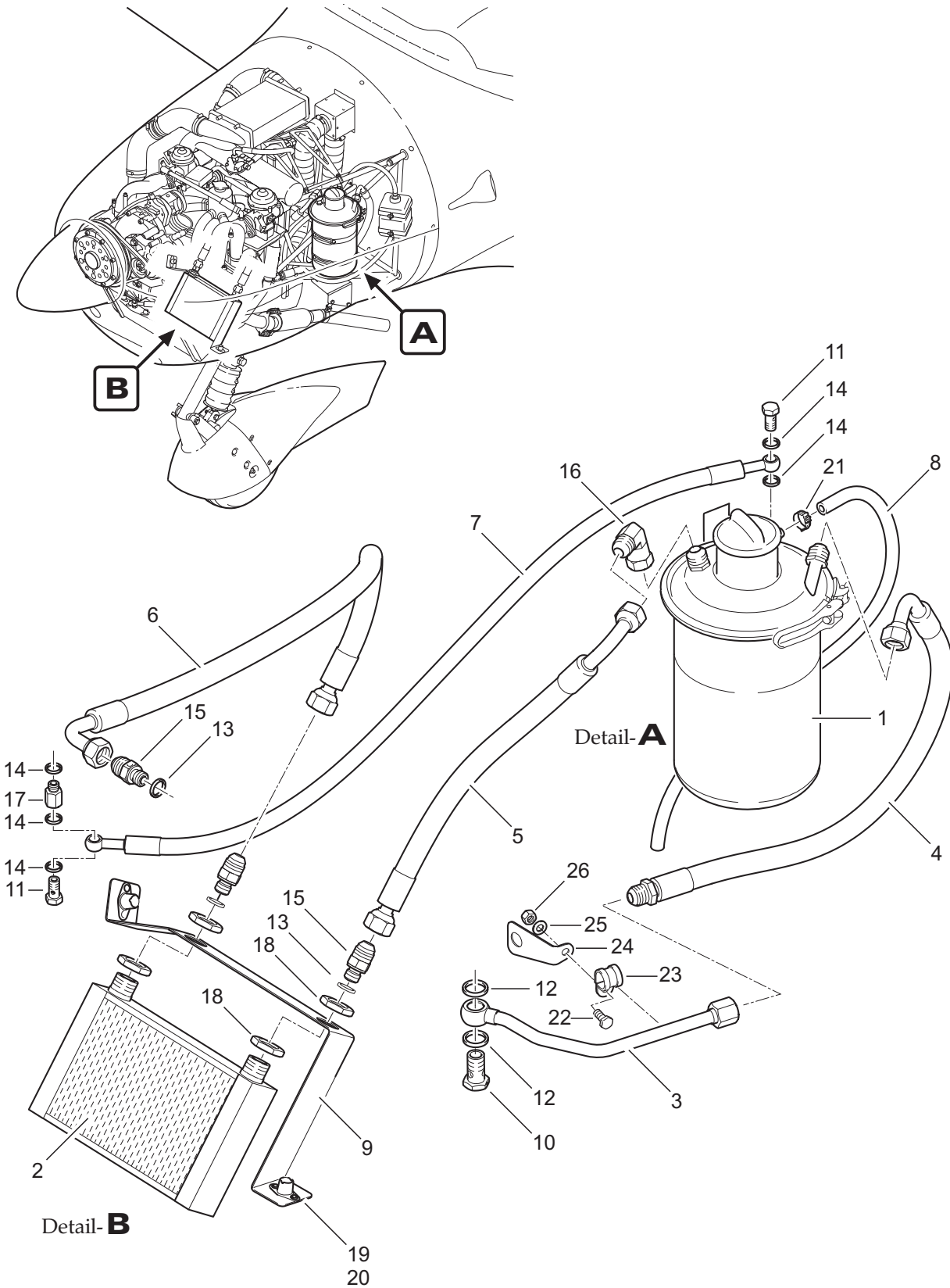
79-00-00

Page 4A

15.05.20

Fig. Item	QTY	Part Number	Nomenclature	Effectivity
2A			Oil System	Rotax 912S
1	1	AT01-7000-040	oil tank assembly (new metric version, Rotax P/N: 656865)	300 - 337
		AT01-7000-039	oil tank assembly (old metric version, Rotax P/N: 956503)	300 - 337
		AT01-7000-050	oil tank assembly (UNF version, Rotax P/N: 656860)	338 - 999
2	1	AT01-7050-304	oil cooler	300 - 332 ¹⁾
		AT01-7050-307	oil cooler (new version)	333 - 999 ¹⁾
3	1	AT01-7000-018	oil hose engine / oil tank (metric version)	300 - 337
		AT01-7000-043	oil hose engine / oil tank (UNF version)	338 - 999
4	1	AT01-7000-028	oil hose oil tank / oil cooler (metric version)	300 - 337
		AT01-7000-041	oil hose oil tank / oil cooler (UNF version)	338 - 999
5	1	AT01-7000-027	oil hose oil cooler / engine	
6	1	AT01-4520-427	venting hose oil tank (750mm)	
7	1	AT01-7070-110	heat protection hose (300mm)	
8	1	AT01-4530-280	spiral hose (for 200mm oil hose)	
9	1	AT01-7050-125	cooler mounting bracket	300 - 332 ¹⁾
	1	AT01-7050-149	cooler mounting bracket (new oil cooler)	333 - 999 ¹⁾
10	2	AT01-7050-126	banjo bolt	
11	2	1807603A_16x22	copper sealing (DIN 7603 A 16x22)	
12	2	1807603A_14x22	copper sealing (DIN 7603 A 14x22)	
13	2	AT01-7050-128	nut	
14	2	1800125_23	washer (ISO 7089 23x39)	
15	2	AT01-1840-582	Benloc receptacle	
16	4	1807337_3,2x6 ES/ES	rivet (ISO 15984 3,2x6 A2/A2)	
17	2	AT01-7050-144	spacer sleeve (new oil cooler)	333 - 999 ¹⁾
18	1	AT01-4520-162	elbow fitting	338 - 999
-19	1	AT01-7050-013	winterization kit ("Remove if OAT > 10°C")	
		AT01-7050-014	winterization kit ("Remove if OAT > 5°C" / optional for lower OAT)	

¹⁾ Oil cooler AT01-7050-304 is no longer available and replaced by AT01-7050-307.
 New oil cooler requires a modified mounting bracket and additional spacer sleeves.
 Refer to SI-AT01-018 (annex 18) and Rotax SI-912-024 for further information.



EFFECTIVITY

Aircraft equipped
with Rotax 914F

Oil System
Figure 2B

79-00-00

Fig. Item	QTY	Part Number	Nomenclature	Effectivity
2B			Oil System	Rotax 914F
1	1	AT01-7000-050	oil tank assembly (UNF version, Rotax P/N: 656860)	
2	1	AT01-7050-307	oil cooler (new version)	
3	1	AT01-7000-032	oil return line	
4	1	AT01-7000-033	oil hose engine / oil tank	
5	1	AT01-7000-034	oil hose oil tank / oil cooler	
6	1	AT01-7000-035	oil hose oil cooler / engine	
7	1	AT01-7000-036	oil hose turbo charger / oil tank	
8	1	AT01-4520-427	venting hose oil tank (750mm)	
9	1	AT01-7050-151	cooler mounting bracket	
10	1	AT01-7080-164	banjo bolt (M16x1,5x28)	
11	2	AT01-7080-157	banjo bolt (M10x1x19)	
12	2	AT01-7080-162	sealing washer (16x22)	
13	3	AT01-7080-161	sealing washer (14x18)	
14	5	AT01-7080-160	sealing washer (10x14)	
15	3	AT01-7080-163	adapter (M14x1,5 / 3/4"-16UNF)	
16	1	AT01-4520-162	elbow fitting	
17	1	AT01-7050-193	spacer	
18	4	AT01-7050-128	nut (M22x1,5)	
19	2	AT01-1840-582	Benloc receptacle	
20	4	1807337_3,2x6 ES/ES	rivet (ISO 15984 3,2x6 A2/A2)	
21	1	AT01-4520_COBRA_13,0/8W4	Cobra hose clamp	
22	1	1800933_M5x12	bolt (ISO 4017 M5x12 8.8)	
23	1	AT01-4520_RSGU1.12/12W1	pipe clamp	
24	1	AT01-7050-194	mounting bracket	
25	1	1800125_5,3	washer (ISO 7089 5,3x10)	
26	1	1800985_M5	locknut (ISO 10511 M5)	
-27	AR	AT01-4530-280	spiral hose	
-28	1	AT01-7050-015	winterization kit Rotax 914	

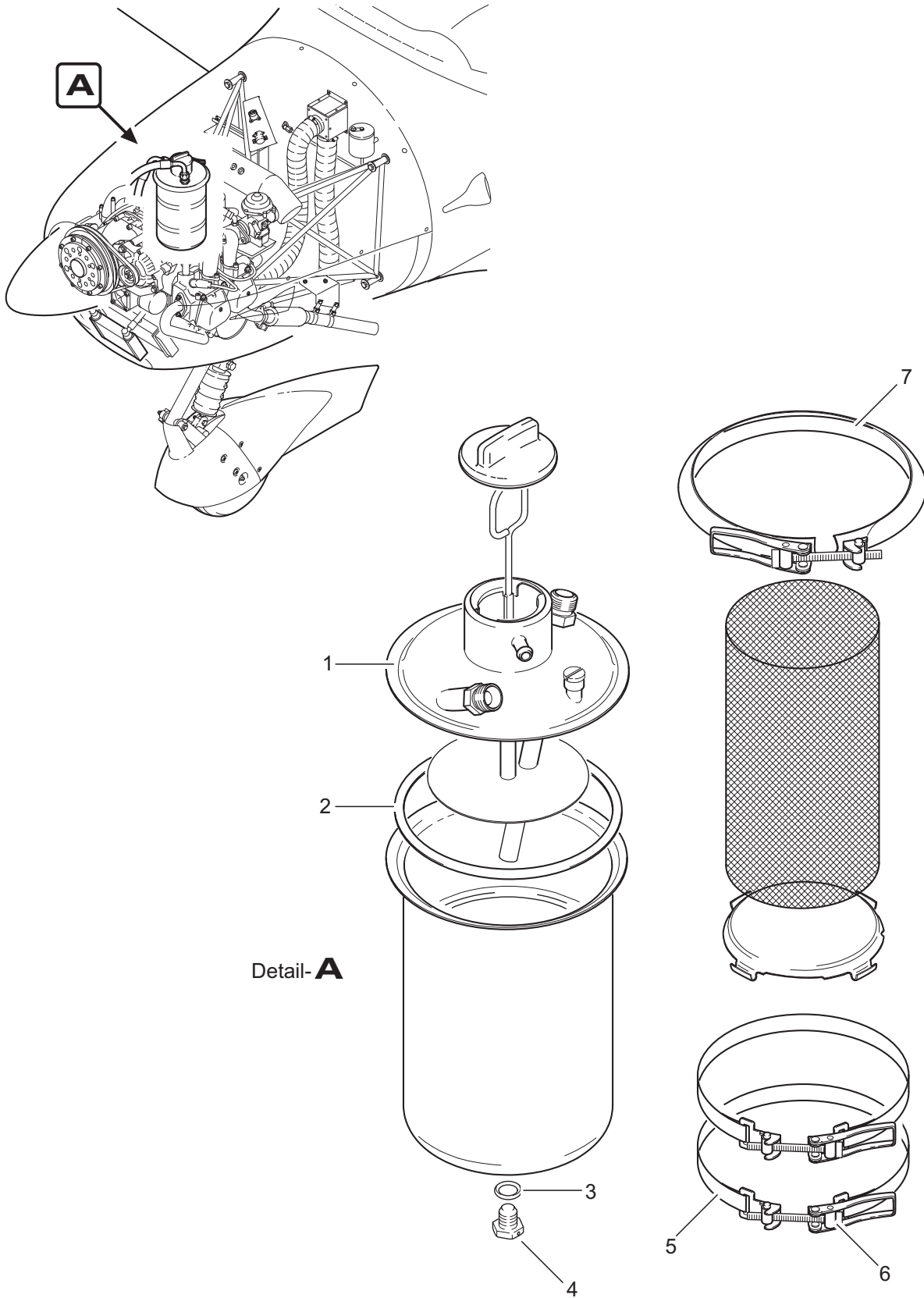
- Item not illustrated

Oil System
Figure 2B

79-00-00

Page 5B

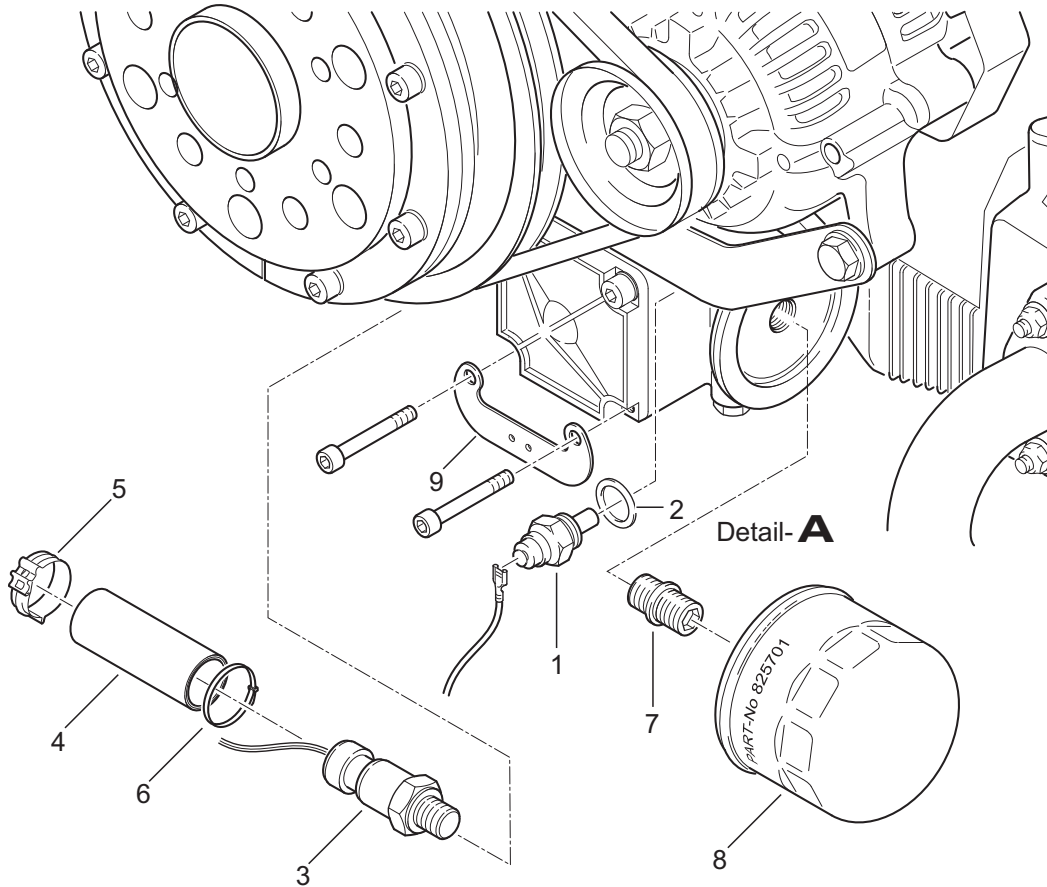
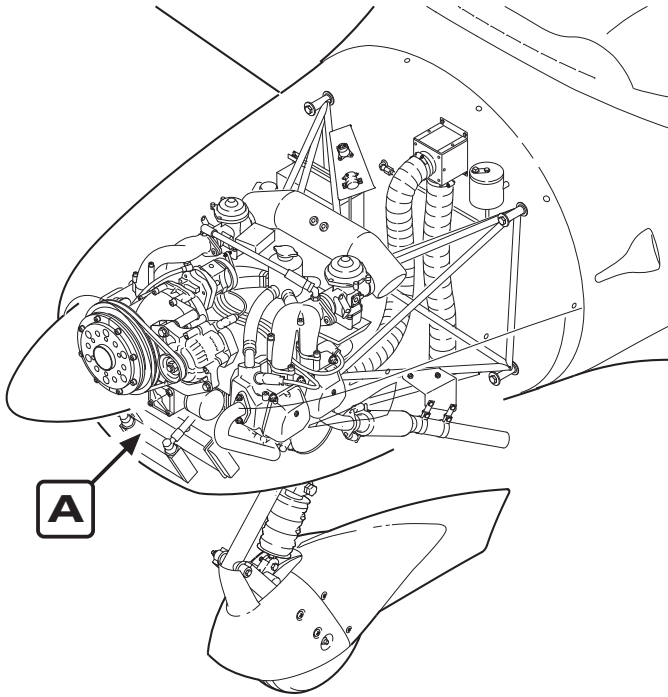
15.05.20



Oil Tank Assembly
Figure 3

Fig. Item	QTY	Part Number	Nomenclature	Effectivity
3			Oil Tank Assembly	
1	1	AT01-7000-141 ¹⁾	oil tank cover (new version, oil tank AT01-7000-040 only)	300 - 337
		AT01-7000-142 ¹⁾	oil tank cover (old version, oil tank AT01-7000-039 only)	300 - 337
		AT01-7000-151 ¹⁾	oil tank cover (UNF version, oil tank AT01-7000-050 only)	338 - 999
2	1	AT01-7080-217	O-ring	
3	1	AT01-7080-216	copper sealing	
4	1	Ro 241403	bolt	
5	2	AT01-1840-700	Normafix steel tape (16mm)	
6	2	AT01-1840-710	Normafix closure	
7	1	Ro 951817	profile clamp	

¹⁾ Only repaired covers available in exchange for a damaged cover.



Oil Filter / Oil Indicating System
Figure 4

Fig. Item	QTY	Part Number	Nomenclature	Effectivity
4			Oil Filter / Oil Indicating System	
1	1	AT01-7050-150	oil temperature sensor	Analog / G3X
		AT01-2840-217	oil temperature sensor	MVP-50
2	1	1807603A_10x13,5x1_Al	sealing washer (aluminium / DIN 7603 A 10x13,5x1)	MVP-50
3	1	AT01-7080-201	oil pressure sensor	Analog / G3X
4	1	AT01-4520-309	fire sleeve (60mm)	Analog / G3X
5	1	AT01-4520_COBRA_13,0/8W4	Cobra hose clamp	Analog / G3X
6	1	AT01-4530-941	cable tie (heat resistant / 100x2,5mm)	Analog / G3X
7	1	Ro 924424	oil filter nipple	
8	1	AT01-7080-011	oil filter	
9	1	AT01-7030-105	mounting plate for oil temperature sensor connector	MVP-50

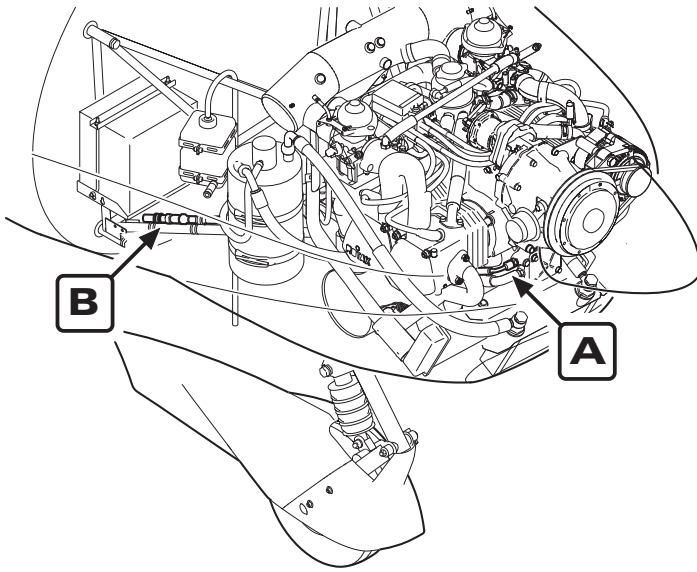
- Item not illustrated

Oil Filter / Oil Indicating System
Figure 4

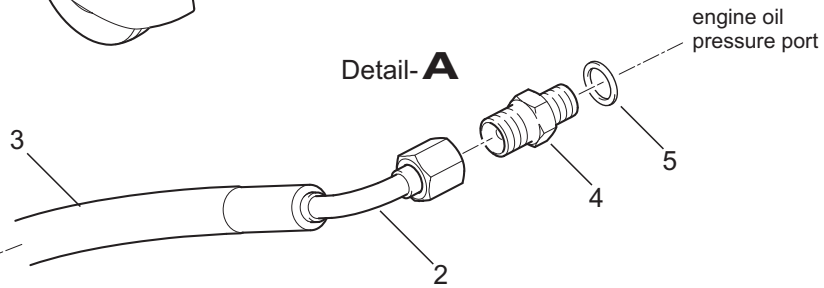
79-00-00

Page 9

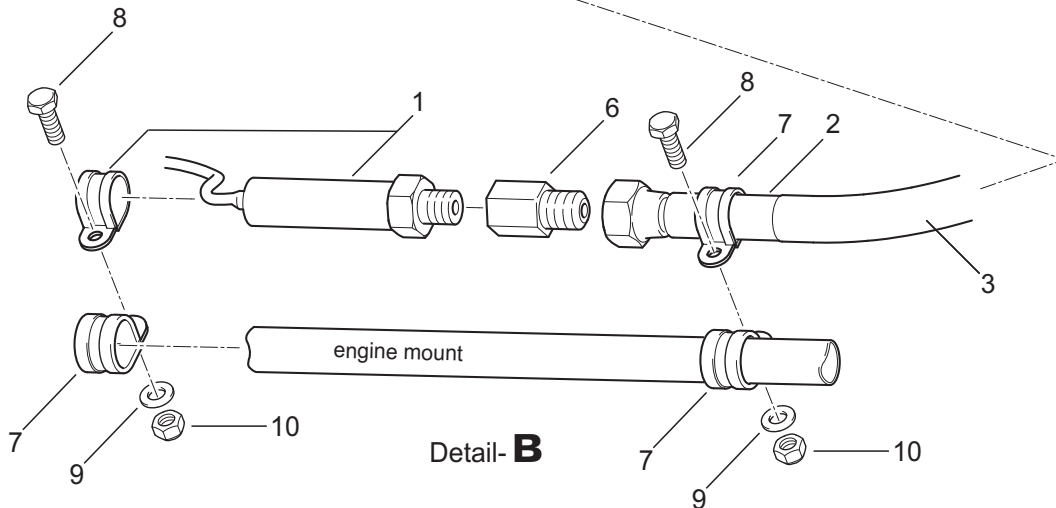
15.05.20



Detail- A



Detail- B



EFFECTIVITY

Aircraft equipped with MVP-50 engine monitoring system

Oil Pressure Indicating System
 Figure 5

79-00-00

Fig. Item	QTY	Part Number	Nomenclature	Effectivity
5			Oil Pressure Indicating System	MVP-50
1	1	AT01-2840-207	oil pressure transducer PT-100GA	
2	1	AT01-7030-003	oil hose engine / pressure transducer	
3	1	AT01-4520-309	fire sleeve (500mm)	
4	1	AT01-7030-210	restricting orifice	
5	1	1807603A_10x13,5x1_Al	sealing washer (aluminium / DIN 7603 A 10x13,5x1)	
6	1	AT01-4520-311	adapter (7/16"UNF / 1/8"NPT)	
7	3	AT01-4520_RSGU1.16/12W1	pipe clamp	
8	2	1800933_M5x14	bolt (ISO 4017 M5x14 8.8)	
9	2	1800125_5,3	washer (ISO 7089 5,3x10)	
10	2	1800985_M5	locknut (ISO 10511 M5)	

- Item not illustrated

Oil Pressure Indicating System
Figure 5

79-00-00

Page 11

15.05.20



AQUILA AT01-100/200
ILLUSTRATED PARTS CATALOG

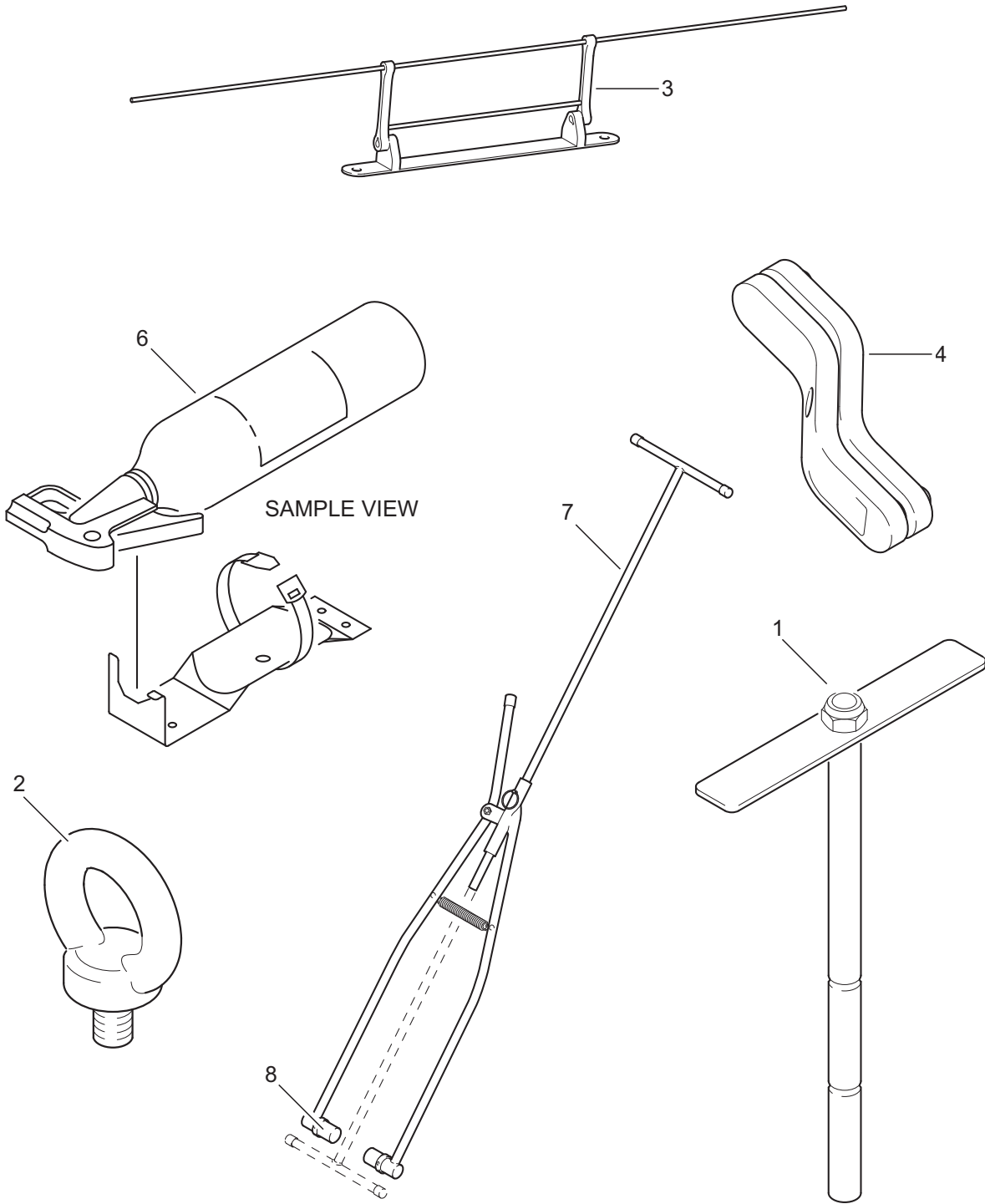
CHAPTER 96

ACCESSORY

TABLE OF CONTENTS

<u>Title</u> <u>Subject</u>	<u>Chapter</u> <u>Section</u> <u>Subject</u>	<u>Page</u>	<u>Effectivity</u>
ACCESSORY - GENERAL	96-00-00	1	
Aquila Accessory and Parts	96-00-00	2	
SPECIAL TOOLS	96-10-00	1	
Special Tools for Maintenance/Repair	96-10-00	2	

ACCESSORY
GENERAL



NOTE: ACCESSORIES NOT IN SCALE!

Aquila Accessory and Parts
Figure 1

Fig. Item	QTY	Part Number	Nomenclature	Effectivity
1			Aquila Accessory and Parts	
	1	AT01-8030-005	fuel dipstick	
	1	1800580_M8	lash eye bolt	
	1	AT01-2820-016-070	instrument panel sight	
	1	AT01-7020-012	anti-theft device	
	1	AT01-0790-001	ABUS lock for anti-theft device	
	1	AT01-9020-105	fire extinguisher H3R A344T	
		AT01-9020-100	fire extinguisher AIRTOTAL HAL 1.0 (optional)	
	1	AT01-7800-201	tow bar	
	2	AT01-5100-100	tow bar bushing	
		AT01-2110-109	jack point adapter	
		AT01-9910-105	canopy cover (Jaxida)	
		AT01-9910-106	full cover (Jaxida)	
		AT01-9910-207	winglet cover	
		AT01-9910-201	pitot-static tube cover	
		AT01-7080-053	spark plug	
		AT01-7080-011	oil filter	
		AT01-7080-216	oil tank gasket	
		AT01-7040-101	air filter (K&N)	
		AT01-2320-002	canopy sun protection film	

Operating Fluids:

AT01-1110-527	coolant (Glysantin Protect Plus/G48)
AT01-1110-531	engine oil (AeroShell Oil Plus 4 Aviation Oil / 10W40)
AT01-1110-500	brake fluid (AeroShell Fluid 41)

Operating Materials:

AT01-2350-100	canopy care set
1070399	aircraft exterior dry wash/polish (Ardrox 6017)
1050023	PTFE thread-sealing tape (12 mm x 12 m)
1050083	medium-strength pipe sealant (50 g)
AT01-7080-035	medium-strength threadlocker (Loctite 243 / 10 ml)
AT01-7080-036	medium-strength threadlocker (Loctite 243 / 50 ml)
1060201	high-strength threadlocker (Loctite 270)
AT01-7080-037	high-strength retaining compound (Loctite 648)

Manuals:

AT01-1010-101	AQUILA AT01-100A Flight Manual (English or German available)
AT01-1010-102	AQUILA AT01-100B Flight Manual (English or German available)
AT01-1010-103	AQUILA AT01-100C Flight Manual (English or German available)
AT01-1010-106	AQUILA AT01-200C Flight Manual (English or German available)
AT01-1020-110	AQUILA AT01-100/200 Maintenance Manual (English)
AT01-1030-110	AQUILA AT01-100/200 Illustrated Parts Catalog (English)

Refer to www.aquila-aviation.de for AQUILA AT01-100/200 Flight Manual Supplements.

- Item not illustrated

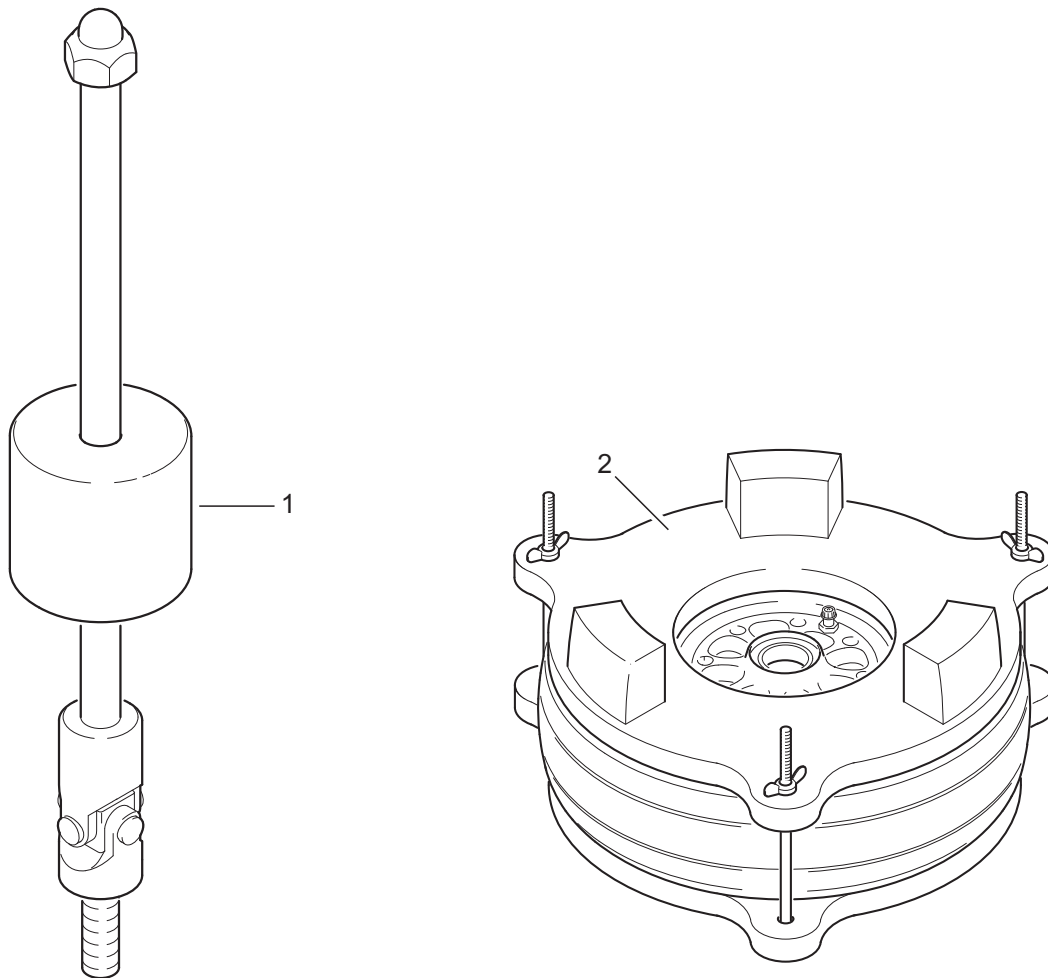
Aquila Accessory and Parts
Figure 1

96-00-00

Page 3

15.05.20

SPECIAL TOOLS



NOTE: ACCESSORIES NOT IN SCALE!

Special Tools for Maintenance/Repair
Figure 1

96-10-00

Page 2

15.05.20

Fig. Item	QTY	Part Number	Nomenclature	Effectivity
1			Special Tools for Maintenance/Repair	
	1	AT01-9620-010	wing bolt removal tool	
	2	1391108	tire change tool for Beringer wheels	Beringer

- Item not illustrated

Special Tools for Maintenance/Repair
Figure 1

96-10-00

Page 3

15.05.20

